

PART NAME

NEMA 4X DIE CAST ALUMINUM ENCLOSURE

PART No.

AN-1315, AN-1315-G, AN-2815 & AN-2815-B

REV. DATE

12-17-08

MATERIAL: ALUMINUM ALLOY #ADC-12

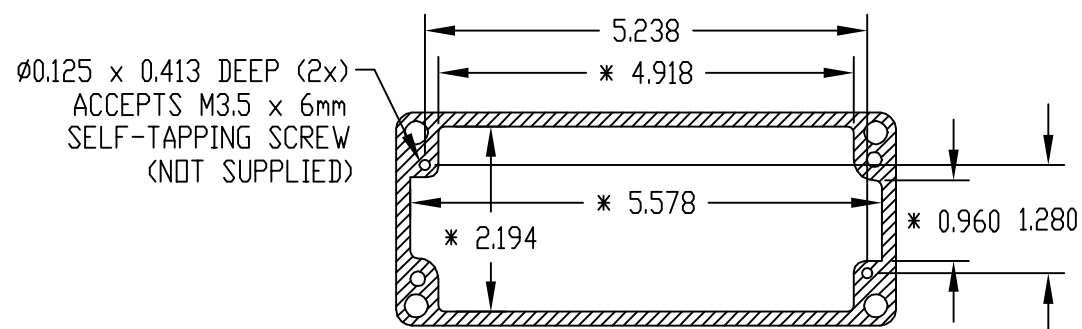
FINISH: NATURAL (NO SUFFIX)

GRAY (SUFFIX -G)

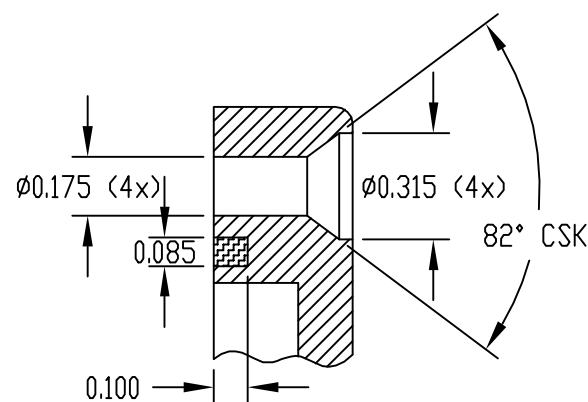
SMOOTH BLACK (SUFFIX -B)

NOTES:

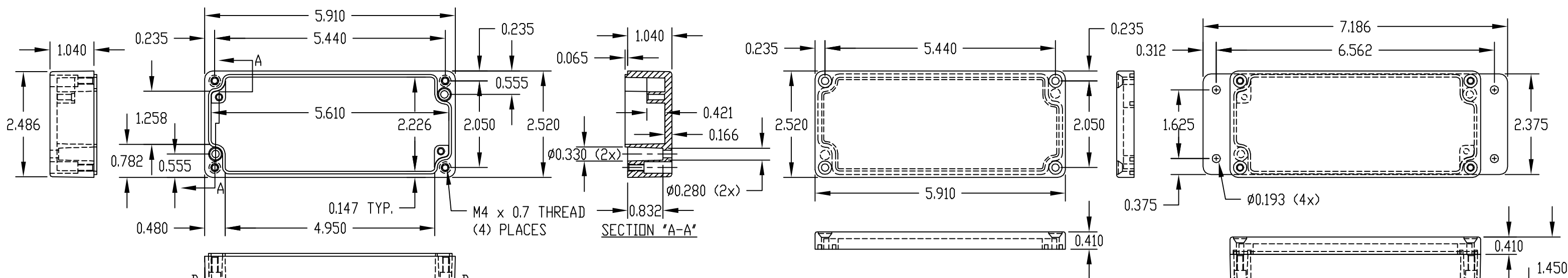
- 1) FOUR (4) M4 x 20mm (0.787") LG. SCREWS SUPPLIED FOR ASSEMBLY OF COVER TO BODY.
- 2) ALL HOLE DIAMETERS HAVE ±0.005 TOLERANCE ALL OTHER DIMENSIONS HAVE ±0.015 TOLERANCE



SECTION "B-B"
* DIMENSIONS ARE AT BOTTOM OF ENCLOSURE

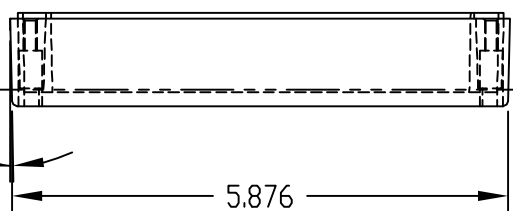


DETAIL "D"

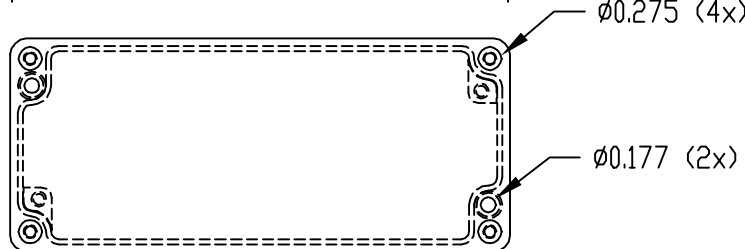


SECTION "A-A"

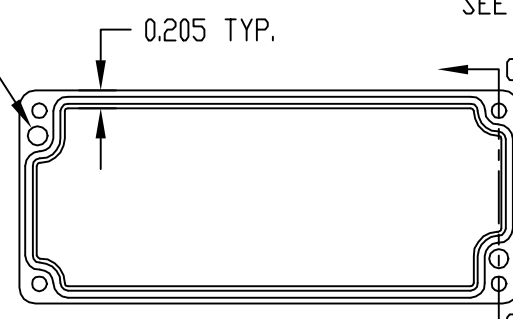
1° DRAFT REF.



BODY



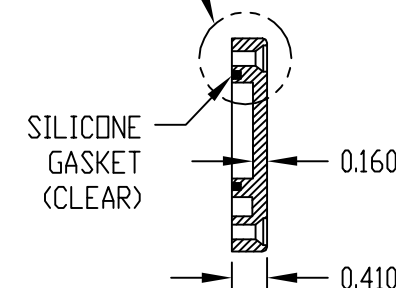
0.230 x 0.240 DEEP (2x)



COVER

SEE DETAIL "D"

SILICONE GASKET (CLEAR)



SECTION "C-C"

PART NO. AN-2815 & AN-2815-B ARE SUPPLIED WITH A WELDED ON MOUNTING BRACKET ONLY.