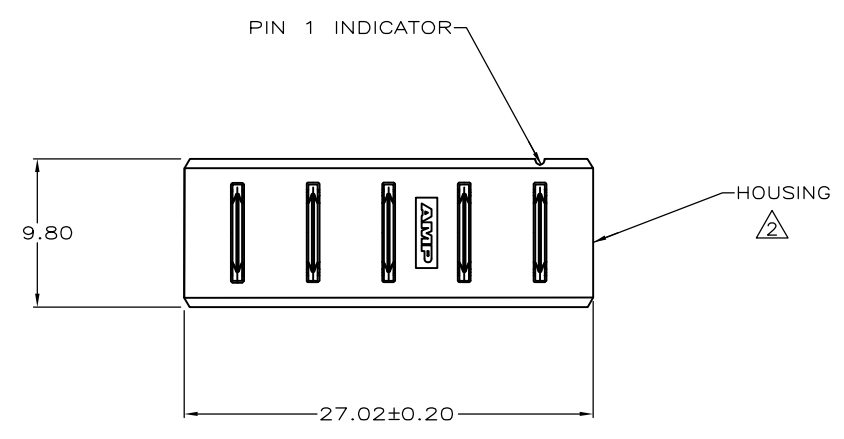
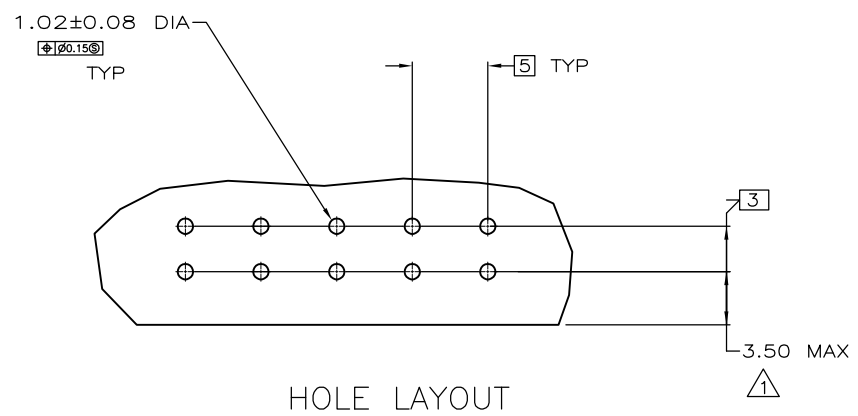
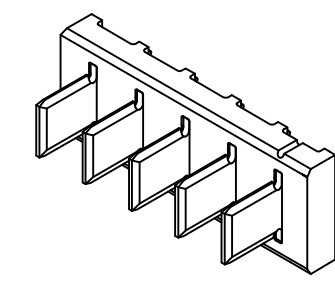
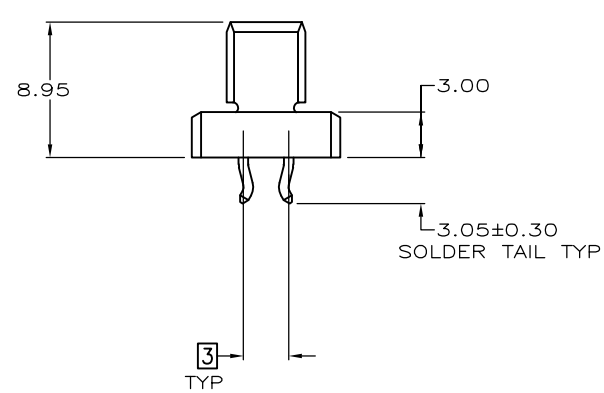
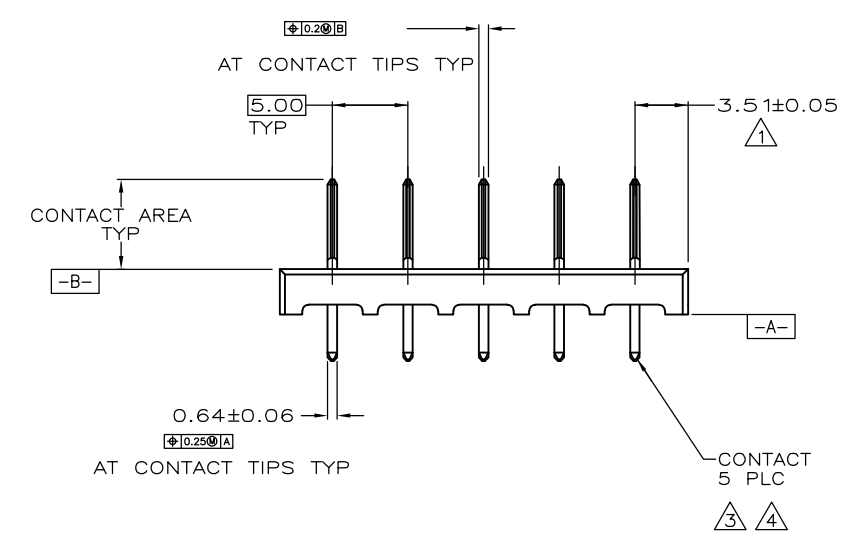


THIS DRAWING IS UNPUBLISHED. RELEASED FOR PUBLICATION
 © COPYRIGHT - By - ALL RIGHTS RESERVED.

LOC	DIST	REVISIONS					
ES	00	P	LTR	DESCRIPTION	DATE	DWN	APVD
			A1	REVISED PER ECO-11-005033	28MAR11	RK	HMR



- ① COORDINATE DIMENSION APPLIES FROM CENTER OF ACTUAL FEATURE.
- ② HOUSING: POLYPHTHALAMIDE, COLOR BLACK.
- ③ 2.54um MIN TIN ON SOLDER TAIL OVER 1.90um MIN NICKEL ALL OVER.
- ④ CONTACTS: BRASS



5787446-1
PART NO

THIS DRAWING IS A CONTROLLED DOCUMENT.		DWN	S.KLINE	03-29-95	STE TE Connectivity		
DIMENSIONS: mm		CHK	S.KLINE	03-30-95			
TOLERANCES UNLESS OTHERWISE SPECIFIED:		APVD	S.KLINE	03-30-95	NAME		
0 PLC	± -	PRODUCT SPEC		108-1501			
1 PLC	± -	APPLICATION SPEC		114-24005			
2 PLC	± 0.13	WEIGHT		-			
3 PLC	± -	MATERIAL		② ④			
4 PLC	± -	FINISH		③			
ANGLES	± -	CUSTOMER DRAWING		SCALE		2:1	
		SHEET		1 OF 1		REV	
		RESTRICTED TO		A1		-	