

**PLEASE CHECK WWW.MOLEX.COM FOR LATEST PART INFORMATION**

**Part Number:** [64002-1215](#)  
**Status:** **Active**  
**Description:** 2.50mm Pitch, Wire-to-Board Housing, Female, 12 Circuits, UL94HB, Gray with White TPA™

**Documents:**

[3D Model](#) [Packaging Specification PK-64002-001 \(PDF\)](#)  
[Drawing \(PDF\)](#) [RoHS Certificate of Compliance \(PDF\)](#)  
[Product Specification PS-104000-001 \(PDF\)](#)

**General**

Product Family	Crimp Housings
Series	<a href="#">64002</a>
Application	Power, Wire-to-Board
Product Name	N/A
UPC	756054579169

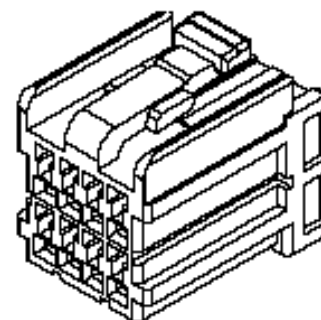
**Physical**

Circuits (maximum)	12
Color - Resin	Gray, Natural
Gender	Female
Glow-Wire Compliant	No
Keying to Mating Part	N/A
Lock to Mating Part	None
Material - Resin	Polyester
Net Weight	2.960/g
Number of Rows	2
Packaging Type	Bag
Panel Mount	No
Pitch - Mating Interface	2.50mm
Pitch - Termination Interface	2.50mm
Polarized to Mating Part	Yes
Ports	1
Stackable	No
Temperature Range - Operating	-30°C to +85°C

**Material Info**

**Reference - Drawing Numbers**

Packaging Specification	PK-64002-001
Product Specification	PS-104000-001
Sales Drawing	SD-64002-001



*image - Reference only*

*Series*

**EU RoHS**

**ELV and RoHS Compliant**

**REACH SVHC**

Not Reviewed

**Low-Halogen Status**

**Low-Halogen**

**China RoHS**



**Need more information on product environmental compliance?**

Email [productcompliance@molex.com](mailto:productcompliance@molex.com)  
 For a multiple part number RoHS Certificate of Compliance, [click here](#)

Please visit the [Contact Us](#) section for any non-product compliance questions.

**Search Parts in this Series**

[64002Series](#)

**Mates With**

[53874](#) Wire-to-Board Header, [68145](#) Wire-to-Board Header, [68151](#) Wire-to-Board Header

**Use With**

[50654](#) Female Crimp Terminal