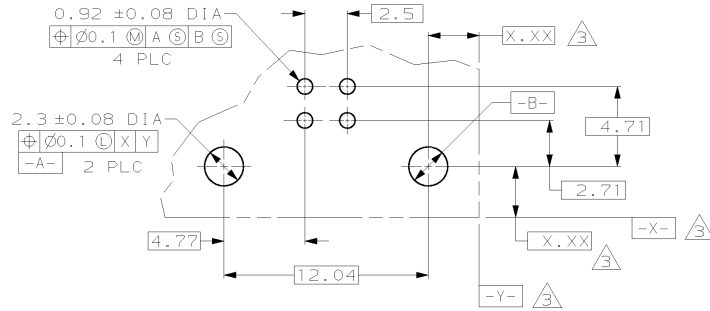
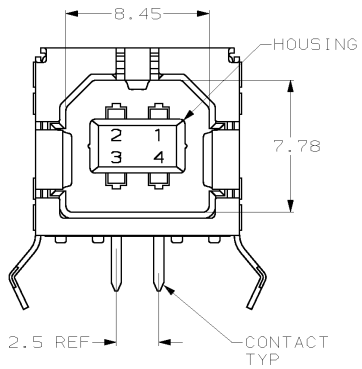
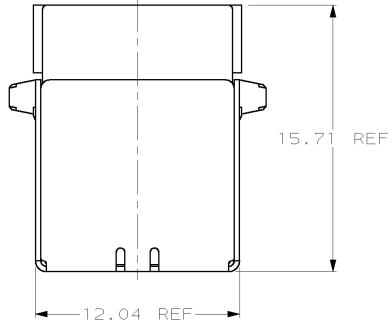
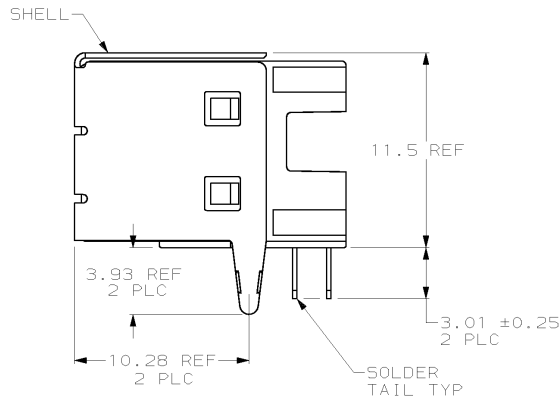


REV	DATE	DESCRIPTION	DATE	OWN	APVD
J	00				
F		REVISED PER EC 0513-0426-03	11 JAN 04	JG	JG



PC BOARD MOUNTING DIMENSIONS 4



- 1 MATERIAL:
SHELL & CONTACTS: COPPER ALLOY.
HOUSING: UL 94V-0 RATED, THERMOPLASTIC, BLACK.
- 2 PLATING:
CONTACTS: 0.076µm MINIMUM GOLD OVER 0.76µm MINIMUM PALLADIUM-NICKEL ON MATING AREA.
3.8µm MINIMUM TIN-LEAD ON SOLDER TAILS.
BOTH OVER 1.27µm MINIMUM NICKEL.
CONTACT ALTERNATE PLATING: 0.76µm MIN GOLD ON MATING AREA, 3.8µm MIN TIN-LEAD ON SOLDER TAILS, BOTH OVER 1.27µm MIN NICKEL.
SHELL: 5.1µm MINIMUM TIN.
- 3 DATUM AND BASIC DIMENSIONS ESTABLISHED BY CUSTOMER.
- 4 RECOMMENDED PC BOARD THICKNESS OF 1.57.
- 5 PLATING:
CONTACTS: 0.76µm MINIMUM GOLD ON MATING AREA, 3.8µm MINIMUM TIN-LEAD ON SOLDER TAILS, BOTH OVER 1.27µm MINIMUM NICKEL.
SHELL: 5.1µm MINIMUM TIN.
- 6 PLATING:
CONTACTS: 0.38µm MINIMUM GOLD ON MATING AREA, 3.8µm MINIMUM TIN-LEAD ON SOLDER TAILS, BOTH OVER 1.27µm MINIMUM NICKEL.
SHELL: 5.1µm MINIMUM TIN.

6	NO	BLACK	787780-5
5	NO	BLACK	787780-4
2	YES	BLACK	787780-3
2	YES	NATURAL	787780-2
2	NO	BLACK	787780-1
PLATING	HIGH TEMPERATURE COMPATIBLE	HOUSING COLOR	PART NUMBER

DIMENSIONS:		TOLERANCES UNLESS OTHERWISE SPECIFIED:		DATE		DRAWING NO.	
mm		0 PLC	±	JUN 30	AUG 95	AMP	
		1 PLC	±	M.E. SHIRK	31	AMP Incorporated	
		2 PLC	±0.1	WAYNE DAVIS	18	Harrisburg, PA 17105-3608	
		3 PLC	±	B. WALTER		RECEPTACLE ASSEMBLY, RIGHT ANGLE, 4 POSITION, THRU-HOLE, TYPE B, UNIVERSAL SERIAL BUS	
		4 PLC	±			PRODUCT SPEC	
		ANGLES	±			SIZE	SCALE CODE
MATERIAL	FINISH			RETWT		A2	00779
				CUSTOMER DRAWING		SCALE	5:1
						SHEET	1 OF 1
						REV	F

787780

B

A