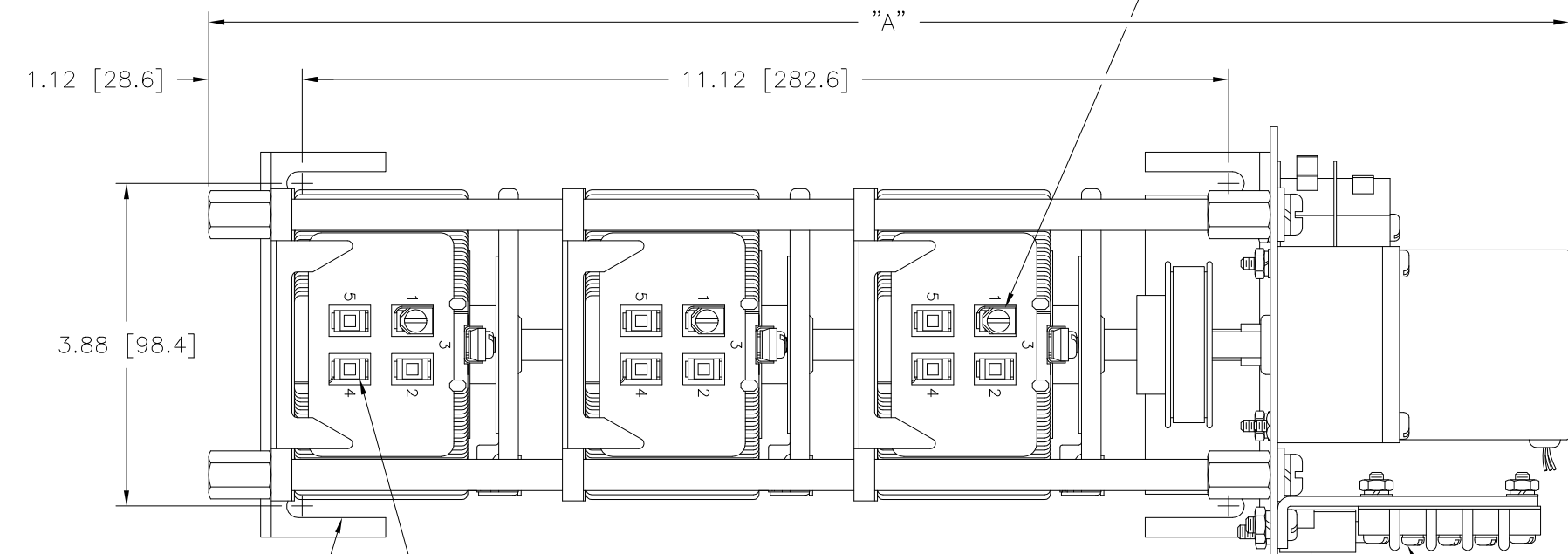


(4) STANDOFFS TAPPED  
 1/4-28 X .38 [9.5]  
 DEEP FOR MTG. BOLTS

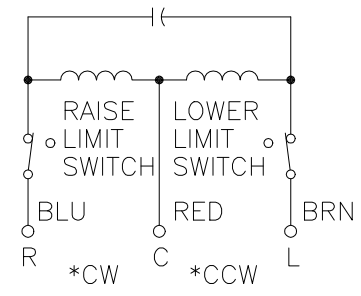
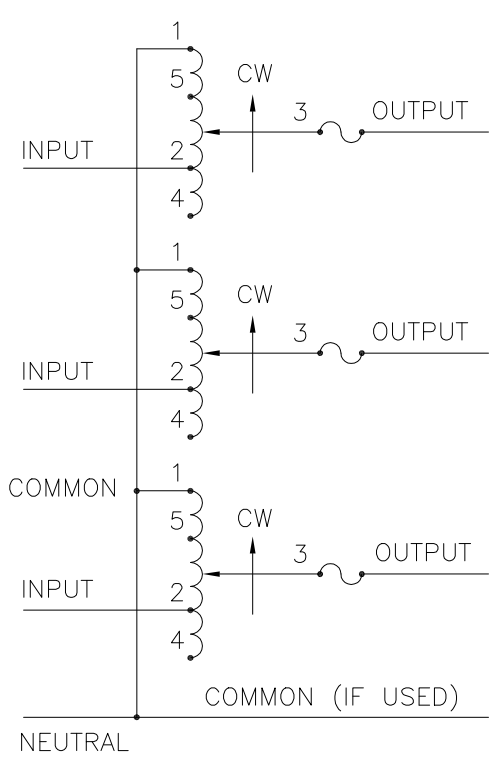


.28 [7.1] WIDE SLOT  
 (4) PLACES FOR  
 CUSTOMER MOUNTING

.25 [6.4] WIDE X .03 [0.8] THICK  
 QUICK CONNECT TERMINALS WITH  
 SOLDER LUGS AT OPPOSITE ENDS

PUSH-ON #6-32 SCREW  
 TERMINAL - USED FOR  
 JUMPER CONNECTIONS

MOTOR DRIVE TERMINALS  
 #6-32 SCREWS



**MOTOR CIRCUIT**  
 120V, 50/60 HZ  
 \* ROTATION AS VIEWED  
 FROM MOTOR END  
 MOTOR SPEED: SEE CHART

**NOTE:**  
 UNIT IS SUPPLIED WITH OPTIONAL PUSH-ON  
 #6-32 SCREW TERMINALS FOR TRANSFORMER  
 CONNECTIONS.

- ∏ IF GANGED UNITS ARE USED IN A SYSTEM THAT ORDINARILY HAS A COMMON NEUTRAL OR GROUND BETWEEN SOURCE AND LOAD, THE NEUTRAL OR GROUND MUST BE CONNECTED TO THE COMMON TERMINALS OF THE VARIABLE TRANSFORMER ASSEMBLY. IF THE SYSTEM HAS NO NEUTRAL, THE LOAD MUST BE BALANCED OR THE TRANSFORMER WILL BE DAMAGED.
- ++ LINE TO LINE VOLTAGE.
- JUMPER PROVIDED IN STANDARD COMMON POSITION AND SHOULD BE MOVED OR REMOVED AS REQUIRED.
- + MOTOR DRIVEN UNITS USE TERMINAL CONNECTIONS FOR CCW INCREASING VOLTAGE, AS VIEWED FROM BASE END.

SPECIFICATIONS												
WIRING	INPUT		OUTPUT				SHAFT ROTATION TO INCREASE VOLTAGE	TERMINAL CONNECTIONS				
	VOLTS	HERTZ	VOLTS	CONSTANT CURRENT LOAD MAX. AMPS	CONSTANT IMPEDANCE LOAD MAX. KVA	MAX. AMPS		MAX. KVA	FOR INCREASING VOLTAGE AS VIEWED FROM BASE END +			
THREE PHASE WYE ∏	240 ++	50/60	0-240	5.0	2.08	7.0	2.91	CW	1-1-1	4-4-4	3-3-3	
			0-280	5.0	2.43	—	—	CCW	4-4-4	1-1-1	3-3-3	
		∏	60	0-240	5.0	2.43	—	—	CW	5-5-5	4-4-4	3-3-3
				0-280	5.0	2.43	—	—	CCW	2-2-2	1-1-1	3-3-3

SPEED (SECONDS)	MODEL NUMBER	DIM "A"
5	5M501C	16.34 [415.0]
15	15M501C	16.34 [415.0]
30	30M501C	16.73 [424.9]
60	60M501C	16.73 [424.9]

**SCHEMATIC**  
 FUSE RECOMMENDED BUT NOT SUPPLIED

UNLESS OTHERWISE SPECIFIED, TOLERANCE IS # DECIMALS Holes .002 ANGLES 1° DRAFT 1-1/2° UNITS IN [mm] MATERIAL: ALL DIMENSIONS APPLY AFTER PLATING

TITLE: SPEC. CONTROL DRAWING VARIABLE TRANSFORMER MODEL: M501C-3

DRAWN BY: TIM RAU DATE: 3/16/99 DO NOT SCALE DWG. CUSTOMER APPROVAL: DATE

CHECKER: DATE WEIGHT APPROX. 25 LBS CODE IDENT. NO. 83008 DWG. NO. 031-0624

ENGINEER: DATE SCALE 1=1 SHEET 1 OF 1 D

**STACO**  
 ENERGY PRODUCTS CO.  
 A COMPONENTS CORPORATION OF AMERICA COMPANY  
 DAYTON, OHIO U.S.A.