



奇数キャビティ：キャビティ番号及び金型番号
 偶数キャビティ：トレードマーク
 ODD CAVITY:CAVITY AND MOLD NO.
 EVEN CAVITY:TRADE MARK

奇数キャビティ：トレードマーク
 偶数キャビティ：キャビティ番号及び金型番号
 ODD CAVITY:TRADE MARK
 EVEN CAVITY:CAVITY AND MOLD NO.

△ TABLE 1

注記：
 NOTES：

- 材料及び仕上げ(めっき仕様)：TABLE 1, TABLE2 参照
 MATERIAL AND FINISHES (PLATING SPECIFICATION)：SEE TABLE 1, TABLE2.
- 製品仕様書、コネクタ取扱説明書、適合嵌合相手、適合リテーナーはSHEET 5を
 ご参照下さい。
 PLEASE REFER TO SHEET 5 FOR PRODUCT SPECIFICATION,
 APPLICATION SPECIFICATION, MATE WITH AND APPLICABLE RETAINER.
- 端子テール部 及び ネイルの平坦度：0.1 MAXIMUM
 TAIL AND NAIL COPLANARITY TO BE 0.1 MAXIMUM
- 偶数極に適合
 APPLY TO EVEN CIRCUIT
- 発注番号：SHEET 5 参照
 ORDER NUMBER：PLEASE REFER TO SHEET 5

505567**7*

極数
 CIRCUIT SIZE

| 番号 NO. | ハウジングカラー HOUSING COLOR |
|-----------|-------------------------------|
| 0 | ナチュラル(ベージュ) NATURAL(BEIGE) |
| 1 | 黒 BLACK |
| 2 | 赤 RED |
| 3 | 黄 YELLOW |
| 4 | 青 BLUE |
| 6 | 緑 GREEN |
| 8 | 橙 ORANGE |

| | | | |
|-------|-------|-------|--------------------|
| 22.2 | 18.75 | 23.25 | 16 |
| 20.95 | 17.5 | 22 | 15 |
| 19.7 | 16.25 | 20.75 | 14 |
| 18.45 | 15 | 19.5 | 13 |
| 17.2 | 13.75 | 18.25 | 12 |
| 15.95 | 12.5 | 17 | 11 |
| 14.7 | 11.25 | 15.75 | 10 |
| 13.45 | 10 | 14.5 | 9 |
| 12.2 | 8.75 | 13.25 | 8 |
| 10.95 | 7.5 | 12 | 7 |
| 9.7 | 6.25 | 10.75 | 6 |
| 8.45 | 5 | 9.5 | 5 |
| 7.2 | 3.75 | 8.25 | 4 |
| 5.95 | 2.5 | 7 | 3 |
| 4.7 | 1.25 | 5.75 | 2 |
| C | B | A | 極数 CIRCUIT SIZE |

| 番号 NO. | 部品 PART | 材質 MATERIAL |
|-----------|-------------------|--|
| ① | ハウジング HOUSING | ポリアミド(PA), ガラス充填, UL94 V-0, 色：SHEET 5参照 POLYAMIDE (PA), GLASS FILLED, UL94 V-0, COLOR：SEE SHEET 5 |
| ② | ターミナル TERMINAL | 黄銅 BRASS |
| | | 錫ビスマスめっき：1.0 MICROMETER MINIMUM TIN-BISMUTH PLATING ニッケルめっき(下地全面)：1.0 MICROMETER MINIMUM NICKEL (UNDER-PLATING OVERALL) |
| ③ | ネイル NAIL | 黄銅 BRASS |
| | | 錫めっき：1.0 MICROMETER MINIMUM MATTE TIN PLATING ニッケルめっき(下地全面)：1.0 MICROMETER MINIMUM NICKEL (UNDER-PLATING OVERALL) |

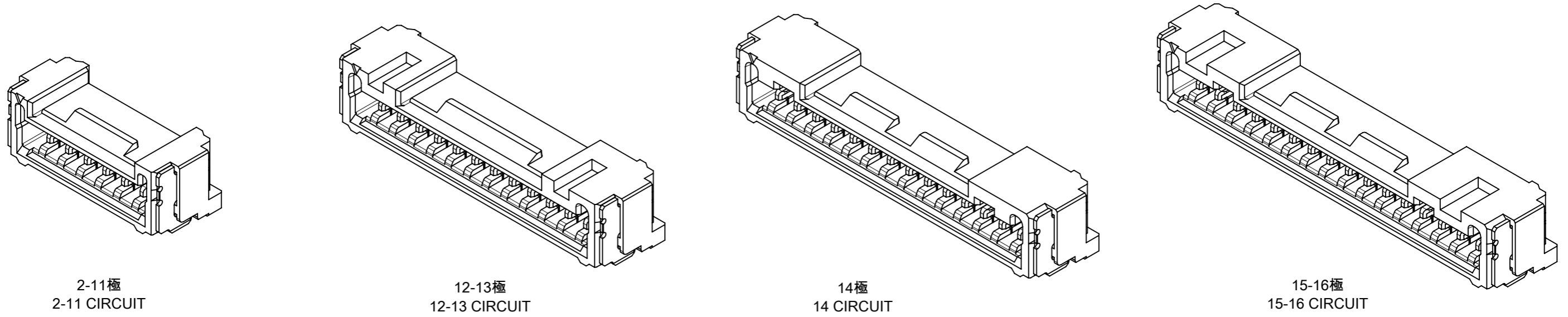


THIS DRAWING CONTAINS INFORMATION THAT IS PROPRIETARY TO MOLEX ELECTRONIC TECHNOLOGIES, LLC AND SHOULD NOT BE USED WITHOUT WRITTEN PERMISSION

| DIMENSION UNITS | SCALE | CURRENT REV DESC. |
|--|--------|------------------------------|
| mm | NTS | |
| GENERAL TOLERANCES (UNLESS SPECIFIED) | | |
| ANGULAR TOL | ± 3.0° | |
| 4 PLACES | ± 0.2 | EC NO: 736271 |
| 3 PLACES | ± 0.2 | DRWN: SOKUMURA01 2022/12/27 |
| 2 PLACES | ± 0.2 | CHK'D: SAKIYAMA 2023/02/16 |
| 1 PLACE | ± 0.2 | APPR: AIDA 2023/02/16 |
| 0 PLACES | ± 0.2 | INITIAL REVISION: |
| | | DRWN: RWATANABE01 2017/11/24 |
| | | APPR: TKANEKO 2017/12/06 |
| DRAFT WHERE APPLICABLE MUST REMAIN WITHIN DIMENSIONS | | THIRD ANGLE PROJECTION |
| DRAWING | | SERIES |
| A3-SIZE | | 505567 |
| MATERIAL NUMBER | | CUSTOMER |
| SEE SHEET 5 | | GENERAL |
| DOCUMENT NUMBER | | DOC TYPE DOC PART REVISION |
| 5055670000-SD | | PSD 000 D |
| SHEET NUMBER | | 1 OF 5 |

molex
 MICRO-LOCK PLUS 1.25 W/B
 SINGLE ROW RIGHT ANGLE SMT PLUG ASSEMBLY
 TIN-BISMUTH PLATING
 PRODUCT CUSTOMER DRAWING

製品形状
PRODUCT SHAPE



基板パターンレイアウト
PCB PATTERN LAYOUT



基板パターンレイアウト (参考)
(参考: 基板厚 1.6mm, メタルマスク厚さ 0.15mm, マスク開口率 100%)
RECOMMEND PCB LAYOUT : COMPONENT SIDE
(REFERENCE : PCB THICKNESS 1.6mm, STENCIL THICKNESS 0.15mm, APERTURE RATIO 100%)

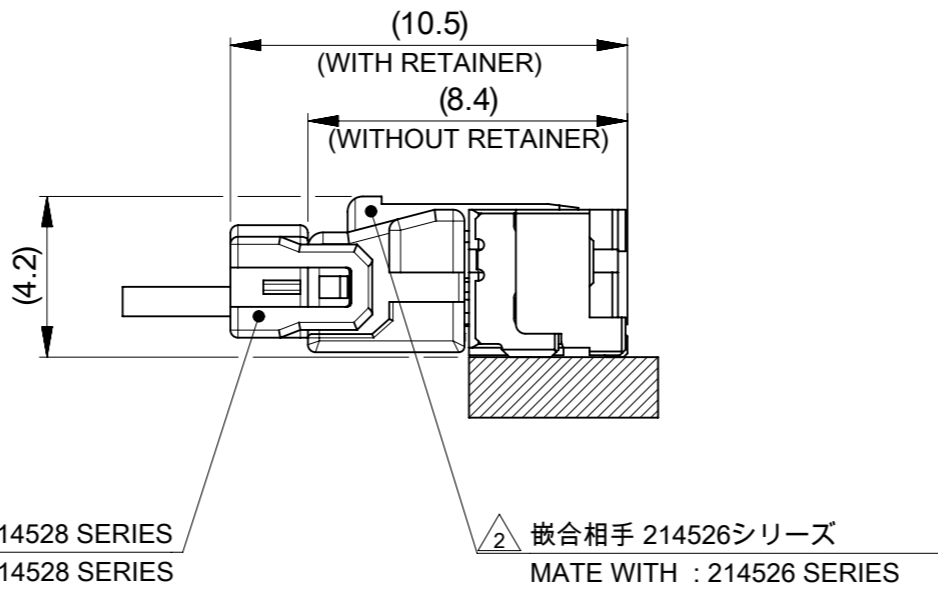
パターン非推奨エリア
パターンを引き回す際は、製品機能に影響がないことをご確認ください。
PATTERN IS NOT RECOMMENDED ON THE HATCHING AREA
PLEASE CHECK NOT TO HAVE PROBLEM FOR PRODUCT FUNCTION
WHEN SETTING PATTERN ON THE HATCHING AREA.

| | | | | | | | | | | | | | |
|---|--|-------|--|--|--|------------|--|-----------------|--|------------------|--|------------|--|
| THIS DRAWING CONTAINS INFORMATION THAT IS PROPRIETARY TO MOLEX ELECTRONIC TECHNOLOGIES, LLC AND SHOULD NOT BE USED WITHOUT WRITTEN PERMISSION | | | | | | | | | | | | | |
| DIMENSION UNITS | | SCALE | | CURRENT REV DESC: | | | | | | | | | |
| mm | | NTS | | <p style="text-align: center;">molex</p> <p style="text-align: center;">MICRO-LOCK PLUS 1.25 W/B SINGLE ROW RIGHT ANGLE SMT PLUG ASSEMBLY TIN-BISMUTH PLATING</p> <p style="text-align: center;">PRODUCT CUSTOMER DRAWING</p> | | | | | | | | | |
| GENERAL TOLERANCES (UNLESS SPECIFIED) | | | | | | | | | | | | | |
| ANGULAR TOL ± 3.0 ° | | | | | | | | | | | | | |
| 4 PLACES | | ± 0.2 | | | | | | | | EC NO: 736271 | | 2022/12/27 | |
| 3 PLACES | | ± 0.2 | | | | | | | | DRWN: SOKUMURA01 | | 2023/02/16 | |
| 2 PLACES | | ± 0.2 | | | | | | | | CHK'D: SAKIYAMA | | 2023/02/16 | |
| 1 PLACE | | ± 0.2 | | APPR: AIDA | | 2023/02/16 | | | | | | | |
| 0 PLACES | | ± 0.2 | | INITIAL REVISION: | | | | DOCUMENT NUMBER | | | | | |
| DRAFT WHERE APPLICABLE MUST REMAIN WITHIN DIMENSIONS | | | | THIRD ANGLE PROJECTION | | DRAWING | | SERIES | | | | | |
| | | | | A3-SIZE | | 505567 | | MATERIAL NUMBER | | | | | |
| | | | | SEE SHEET 5 | | GENERAL | | CUSTOMER | | | | | |
| | | | | | | 2 OF 5 | | SHEET NUMBER | | | | | |

吸着エリア
SUCTION AREA



嵌合状態図
MATED CONNECTORS



| | |
|------|--------------------|
| 10.7 | 16 |
| | 15 |
| | 14 |
| 9.2 | 13 |
| | 12 |
| | 11 |
| | 10 |
| 6.7 | 9 |
| | 8 |
| | 7 |
| 6.6 | 6 |
| 5.35 | 5 |
| 4.1 | 4 |
| 2.85 | 3 |
| 1.9 | 2 |
| D | 極数 CIRCUIT SIZE |

THIS DRAWING CONTAINS INFORMATION THAT IS PROPRIETARY TO MOLEX ELECTRONIC TECHNOLOGIES, LLC AND SHOULD NOT BE USED WITHOUT WRITTEN PERMISSION

| | | | | | | |
|--|---------------------|-------------------|------------|--------------------------|----------|----------|
| DIMENSION UNITS mm | SCALE NTS | CURRENT REV DESC: | | molex | | |
| GENERAL TOLERANCES (UNLESS SPECIFIED) | | EC NO: 736271 | | | | |
| ANGULAR TOL ± 3.0° | 4 PLACES ± 0.2 | DRWN: SOKUMURA01 | 2022/12/27 | PRODUCT CUSTOMER DRAWING | | |
| 3 PLACES ± 0.2 | 3 PLACES ± 0.2 | CHK'D: SAKIYAMA | 2023/02/16 | DOCUMENT NUMBER | | |
| 2 PLACES ± 0.2 | 2 PLACES ± 0.2 | APPR: AIDA | 2023/02/16 | 5055670000-SD | | |
| 1 PLACE ± 0.2 | 1 PLACE ± 0.2 | INITIAL REVISION: | | DOC TYPE | DOC PART | REVISION |
| 0 PLACES ± 0.2 | 0 PLACES ± 0.2 | DRWN: RWATANABE01 | 2017/11/24 | PSD | 000 | D |
| DRAFT WHERE APPLICABLE MUST REMAIN WITHIN DIMENSIONS | | APPR: TKANEKO | 2017/12/06 | SHEET NUMBER | | |
| THIRD ANGLE PROJECTION | | DRAWING | SERIES | MATERIAL NUMBER | CUSTOMER | |
| A3-SIZE | | A3-SIZE | 505567 | SEE SHEET 5 | GENERAL | 3 OF 5 |



注記 NOTE

- 6. 梱包数量 : 1200個 / リール
NUMBER OF CONNECTORS : 1200 PCS/REEL.
- 7. リードテープ長さ LEAD TAPE LENGTH.



- 8. トップテープの剥離強度はIEC60286-3に準拠
TOP TAPE PEELING FORCE IS DEFINED BY IEC60286-3.

1 TABLE 2

| 番号 NO. | 部品 PART | 材質 MATERIAL |
|-----------|---------------------------|--|
| ④ | エンボステープ EMBOSSSED TAPE | ポリスチレン(PS) POLYSTYRENE(PS) |
| ⑤ | トップテープ TOP TAPE | ポリエチレン(PE), その他 POLYETHYLENE(PE), ETC |
| ⑥ | リール REEL | ポリスチレン(PS) <リサイクル材を含む> POLYSTYRENE(PS) < RECYCLE MATERIAL CONTAINED > |

| | | | | |
|-----------------|----|--------------|------------|----------|
| DOCUMENT STATUS | P1 | RELEASE DATE | 2023/02/16 | 15:22:40 |
|-----------------|----|--------------|------------|----------|

THIS DRAWING CONTAINS INFORMATION THAT IS PROPRIETARY TO MOLEX ELECTRONIC TECHNOLOGIES, LLC AND SHOULD NOT BE USED WITHOUT WRITTEN PERMISSION

| | | | |
|--|---------|-------------------|------------|
| DIMENSION UNITS | SCALE | CURRENT REV DESC: | |
| mm | NTS | | |
| GENERAL TOLERANCES (UNLESS SPECIFIED) | | | |
| ANGULAR TOL | ± 3.0 ° | | |
| 4 PLACES | ± 0.2 | EC NO: 736271 | |
| 3 PLACES | ± 0.2 | DRWN: SOKUMURA01 | 2022/12/27 |
| 2 PLACES | ± 0.2 | CHK'D: SAKIYAMA | 2023/02/16 |
| 1 PLACE | ± 0.2 | APPR: AIDA | 2023/02/16 |
| 0 PLACES | ± 0.2 | INITIAL REVISION: | |
| DRAFT WHERE APPLICABLE MUST REMAIN WITHIN DIMENSIONS | | DRWN: RWATANABE01 | 2017/11/24 |
| THIRD ANGLE PROJECTION | | APPR: TKANEKO | 2017/12/06 |
| DRAWING | SERIES | MATERIAL NUMBER | CUSTOMER |
| A3-SIZE | 505567 | 5055670000-SD | GENERAL |
| SHEET NUMBER | | DOC TYPE | DOC PART |
| 4 OF 5 | | PSD | 000 |

molex

MICRO-LOCK PLUS 1.25 W/B
SINGLE ROW RIGHT ANGLE SMT PLUG ASSEMBLY
TIN-BISMUTH PLATING

PRODUCT CUSTOMER DRAWING

DOCUMENT NUMBER: 5055670000-SD
DOC TYPE: PSD
DOC PART: 000
REVISION: D

| | | | | |
|------|------|------|------------------------------------|--------------------|
| 49.4 | 45.4 | 20.2 | 44±0.3 | 16 |
| | | | | 15 |
| | | | | 14 |
| | | | | 13 |
| 37.4 | 33.4 | 14.2 | 32±0.3 | 12 |
| | | | | 11 |
| | | | | 10 |
| | | | | 9 |
| | | | | 8 |
| | | | | 7 |
| 29.4 | 25.4 | 11.5 | 24 ^{+0.3} _{-0.1} | 6 |
| | | | | 5 |
| | | | | 4 |
| 21.4 | 17.4 | 7.5 | 16 ^{+0.3} _{-0.1} | 3 |
| | | | | 2 |
| H | G | F | E | 極数 CIRCUIT SIZE |

△ 2 適合製品及び各種仕様書 APPLICABLE PRODUCTS AND VARIOUS SPECIFICATIONS

| | | | |
|--|--------------------------------|----------------------|--|
| 梱包仕様書 PACKAGING SPECIFICATION | | 5055679200 PS 200 | |
| 適合嵌合相手 MATE WITH | シリーズ番号 SERIES NUMBER | 505565 | 214526 |
| | リテーナー対応 RETAINER APPLICABLE | NOT COMPLIANT | COMPLIANT (NATURAL, BLACK, RED, YELLOW, BLUE) |
| 適合リテーナーシリーズ番号 APPLICABLE RETAINER SERIES NUMBER | | - | 214528 |
| 製品仕様書 PRODUCT SPECIFICATION | | 5055650000 PS 000 | 2145260000-PS PS 000 |
| コネクタ取扱説明書 APPLICATION SPECIFICATION | | 5055650000-AS PS 000 | |

△ 5 505567**7* 発注番号一覧 ORDER NUMBER LIST

| ORANGE | GREEN | BLUE | YELLOW | RED | BLACK | NATURAL (BEIGE) | HOUSING COLOR |
|--|------------|------------|------------|------------|------------|--------------------|--------------------|
| 5055671678 | 5055671676 | 5055671674 | 5055671673 | 5055671672 | 5055671671 | 5055671670 | 16 |
| 5055671578 | 5055671576 | 5055671574 | 5055671573 | 5055671572 | 5055671571 | 5055671570 | 15 |
| 5055671478 | 5055671476 | 5055671474 | 5055671473 | 5055671472 | 5055671471 | 5055671470 | 14 |
| 5055671378 | 5055671376 | 5055671374 | 5055671373 | 5055671372 | 5055671371 | 5055671370 | 13 |
| 5055671278 | 5055671276 | 5055671274 | 5055671273 | 5055671272 | 5055671271 | 5055671270 | 12 |
| 5055671178 | 5055671176 | 5055671174 | 5055671173 | 5055671172 | 5055671171 | 5055671170 | 11 |
| 5055671078 | 5055671076 | 5055671074 | 5055671073 | 5055671072 | 5055671071 | 5055671070 | 10 |
| 5055670978 | 5055670976 | 5055670974 | 5055670973 | 5055670972 | 5055670971 | 5055670970 | 9 |
| 5055670878 | 5055670876 | 5055670874 | 5055670873 | 5055670872 | 5055670871 | 5055670870 | 8 |
| 5055670778 | 5055670776 | 5055670774 | 5055670773 | 5055670772 | 5055670771 | 5055670770 | 7 |
| 5055670678 | 5055670676 | 5055670674 | 5055670673 | 5055670672 | 5055670671 | 5055670670 | 6 |
| 5055670578 | 5055670576 | 5055670574 | 5055670573 | 5055670572 | 5055670571 | 5055670570 | 5 |
| 5055670478 | 5055670476 | 5055670474 | 5055670473 | 5055670472 | 5055670471 | 5055670470 | 4 |
| 5055670378 | 5055670376 | 5055670374 | 5055670373 | 5055670372 | 5055670371 | 5055670370 | 3 |
| 5055670278 | 5055670276 | 5055670274 | 5055670273 | 5055670272 | 5055670271 | 5055670270 | 2 |
| 発注番号 : ORDER NUMBER | | | | | | | 極数 CIRCUIT SIZE |
| エンボステープ梱包 PACKAGING STYLE: EMBOSSED TAPE AND REEL | | | | | | | |

| | | | | | |
|---|----------------|---|--|-----------------|----------|
| THIS DRAWING CONTAINS INFORMATION THAT IS PROPRIETARY TO MOLEX ELECTRONIC TECHNOLOGIES, LLC AND SHOULD NOT BE USED WITHOUT WRITTEN PERMISSION | | CURRENT REV DESC: | | molex | |
| DIMENSION UNITS mm | SCALE NTS | EC NO: 736271 DRWN: SOKUMURA01 2022/12/27 CHK'D: SAKIYAMA 2023/02/16 APPR: AIDA 2023/02/16 | | | |
| GENERAL TOLERANCES (UNLESS SPECIFIED) | | INITIAL REVISION: | | DOCUMENT NUMBER | |
| ANGULAR TOL ± 3.0 ° | 4 PLACES ± 0.2 | DRWN: RWATANABE01 2017/11/24 APPR: TKANEKO 2017/12/06 | | 5055670000-SD | |
| 3 PLACES ± 0.2 | 2 PLACES ± 0.2 | THIRD ANGLE PROJECTION | | DOC TYPE | DOC PART |
| 1 PLACE ± 0.2 | 0 PLACES ± 0.2 | DRAWING | | PSD | 000 |
| DRAFT WHERE APPLICABLE MUST REMAIN WITHIN DIMENSIONS | | SERIES | | REVISION | D |
| | | A3-SIZE | | 5 OF 5 | |
| | | 505567 | | SHEET NUMBER | |
| | | SEE SHEET 5 | | GENERAL | |