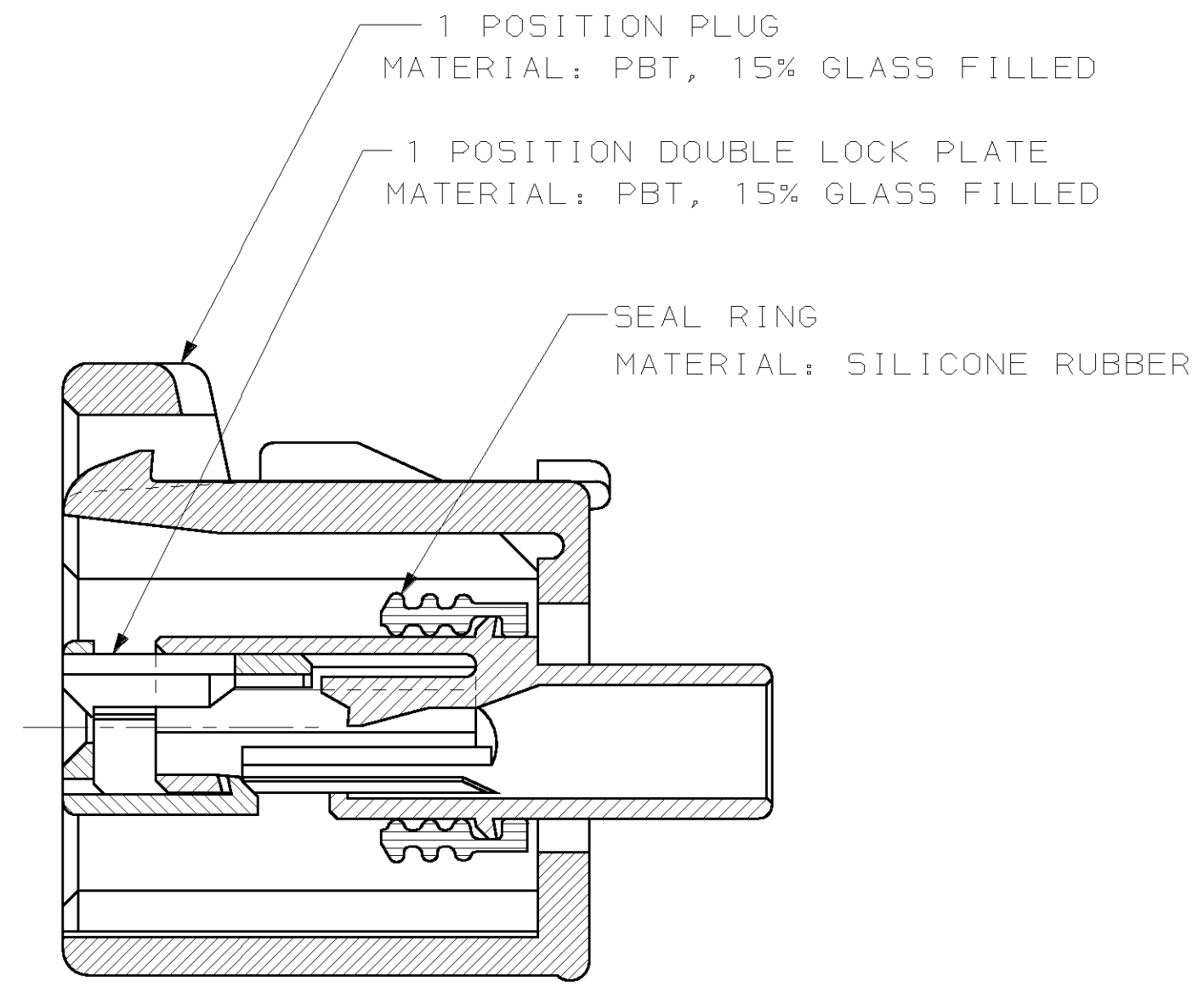
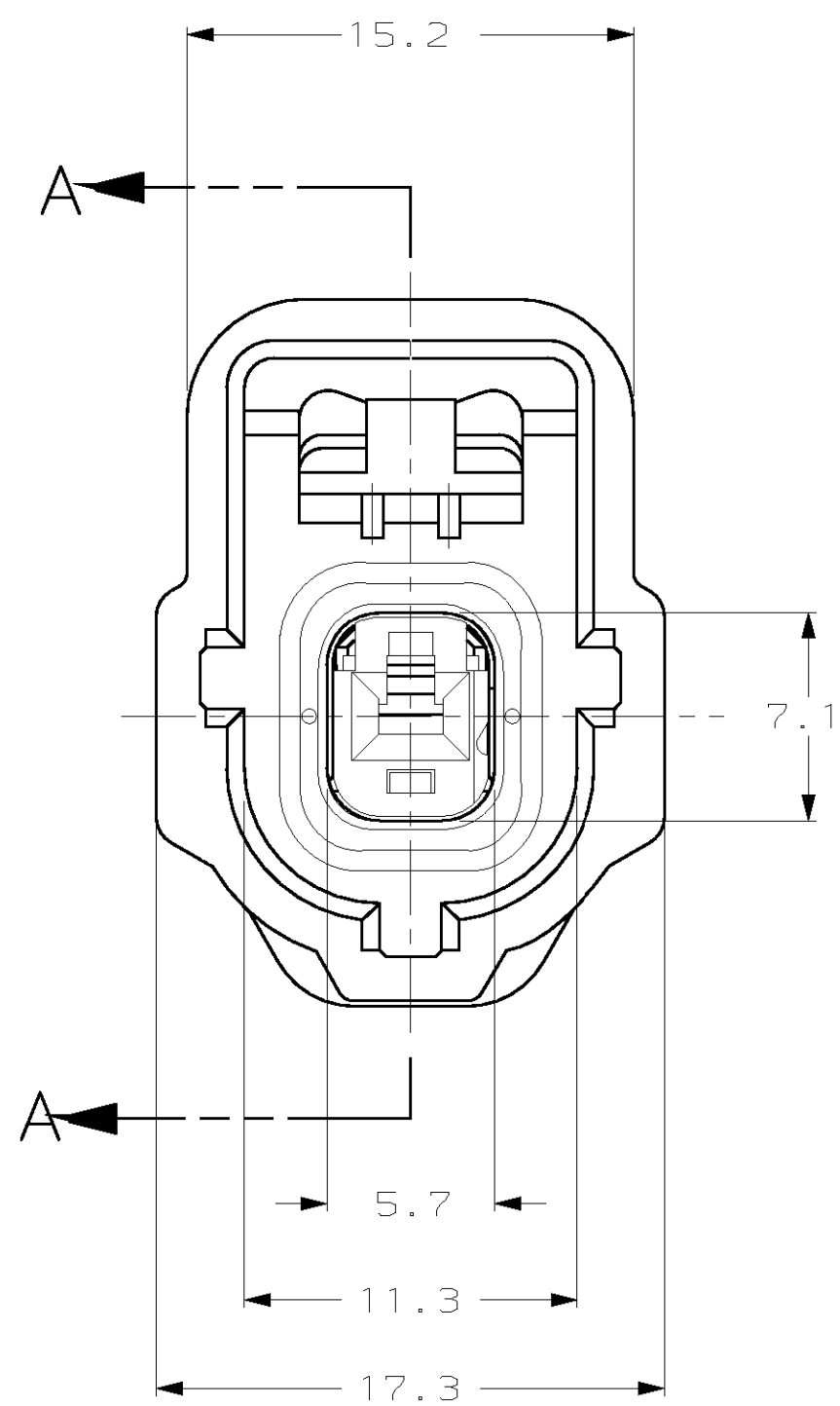
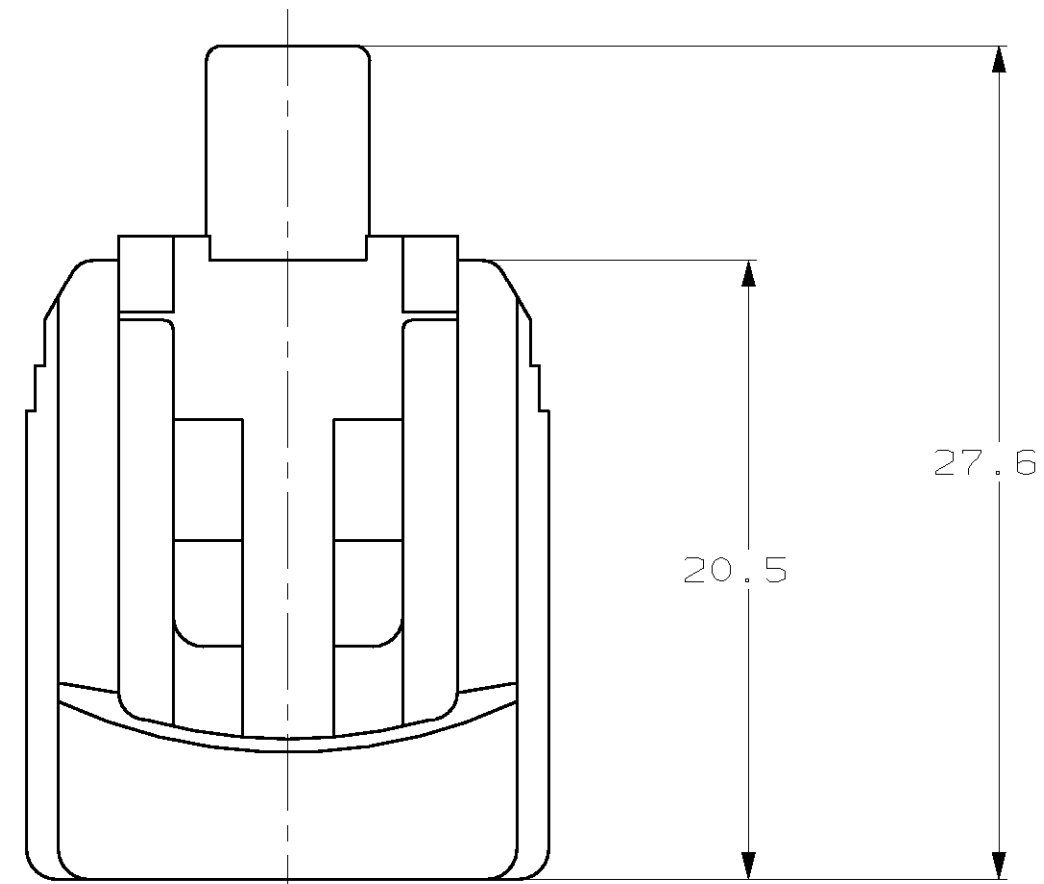


THIS DRAWING IS UNPUBLISHED. RELEASED FOR PUBLICATION .19
 © COPYRIGHT 19 BY AMP INCORPORATED. ALL RIGHTS RESERVED.

LOC		DIST		REVISIONS			
P	LTR	DESCRIPTION		DATE	DWN	APVD	
G	16	E	REV PER ECN 0K40-0218-99		09NOV99	KL	MH



NATURAL	184042-2
BLACK	184042-1
PLUG COLOR	PART NUMBER

<small>THIS DRAWING IS A CONTROLLED DOCUMENT FOR AMP INCORPORATED. IT IS SUBJECT TO CHANGE AND THE CONTROLLING ENGINEERING ORGANIZATION SHOULD BE CONTACTED FOR THE LATEST REVISION.</small>		DWN	KD LYTLE	5/11/94	AMP Incorporated Harrisburg, PA 17105-3608
DIMENSIONS: mm		CHK	JP KUNKLE	6/1/94	
		APVD	JP KUNKLE	6/1/94	
TOLERANCES UNLESS OTHERWISE SPECIFIED: 0 PLC ±- 1 PLC ±0.3 2 PLC ±- 3 PLC ±- 4 PLC ±- ANGLES ±- FINISH ±1°		PRODUCT SPEC	NAME		
MATERIAL	-	WEIGHT	-	-	1 POSITION PLUG ASSY. KEYING TYPE A
CUSTOMER DRAWING		SCALE	4:1	SHEET	1 OF 1
		REV	E		

184042