



5.60 x 5.60 x 1.90mm

ASPI-5619

Pb | RoHS/RoHS II Compliant

FEATURES:

- Miniature size
- Available on tape and reel for automatic mounting
- RoHS compliant and Lead free

APPLICATIONS:

- DC/DC converters for smart phone, LED driver circuit

ELECTRICAL SPECIFICATIONS:

PART NO. ASPI-5619- Inductance Code	Inductance (μ H)	Inductance Tolerance	DCR (Ω) \pm 20%	Rated DC current (A)		
				IDC1 Max.	IDC2 Max.	IDC3 Max.
ASPI-5615-1R5	1.50	M	0.033	4.50	5.50	3.50
ASPI-5615-2R2	2.20	M	0.043	3.70	5.00	2.90
ASPI-5615-3R3	3.30	M	0.057	2.90	4.10	2.40
ASPI-5615-4R7	4.70	M	0.076	2.70	3.50	2.20
ASPI-5615-6R8	6.80	M	0.113	2.20	2.85	1.80
ASPI-5615-8R2	8.20	M	0.132	1.90	2.60	1.52
ASPI-5615-100M	10.00	M	0.153	1.50	2.35	1.50
ASPI-5615-150M	15.00	M	0.231	1.40	1.90	1.15
ASPI-5615-220M	22.00	M	0.312	1.15	1.50	0.97
ASPI-5615-330M	33.00	M	0.478	0.97	1.33	0.76
ASPI-5615-470M	47.00	M	0.703	0.81	1.10	0.65

Test Conditions

Inductance: 100kHz, 0.1V

IDC1: Base on Inductance change ($|\Delta L/L_o| \leq 10\%$)

IDC2: Base on Inductance change ($|\Delta L/L_o| \leq 30\%$)

IDC3: Base on Temperature change ($\Delta T \leq 40^\circ\text{C}$)

Operating Temperature

-40°C to +85°C

Storage Temperature

-40°C to +85°C

OPTIONS AND PART IDENTIFICATION

ASPI-5619 - -

Inductance Code
Please refer to the table above

Tolerance %
M: $\pm 20\%$

Packaging
T: Tape and Reel
(4,000pcs / reel)

SMD Unshielded Power Inductor



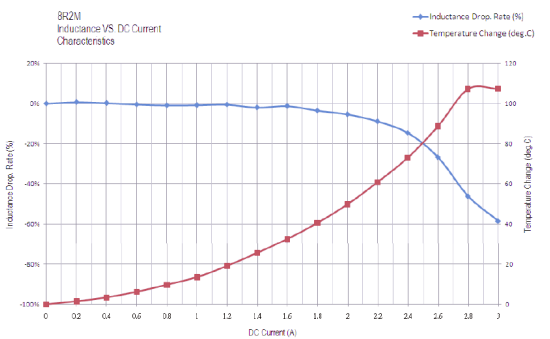
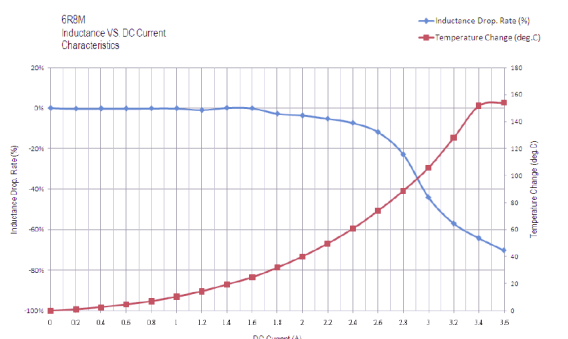
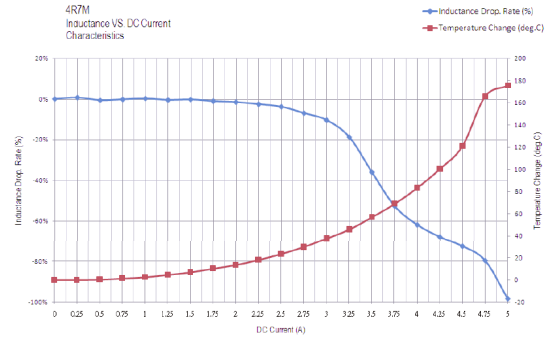
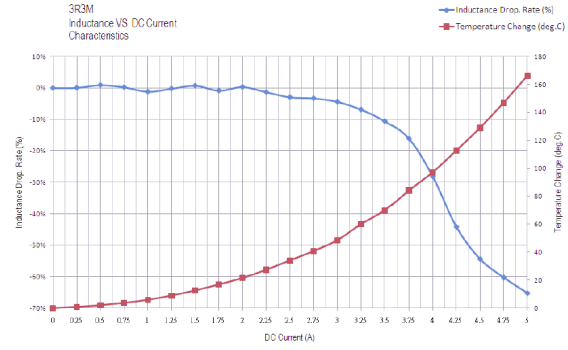
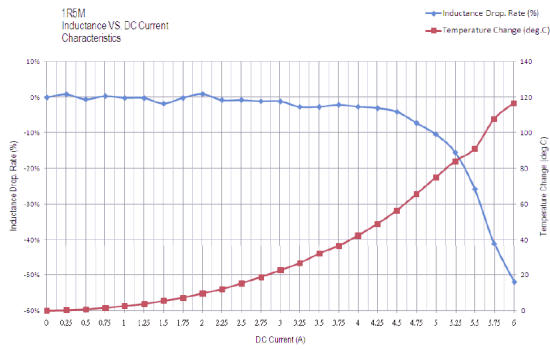
ASPI-5619



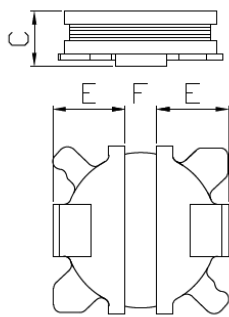
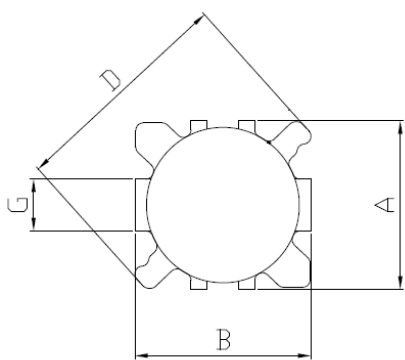
RoHS/RoHS II Compliant

5.60 x 5.60 x 1.90mm

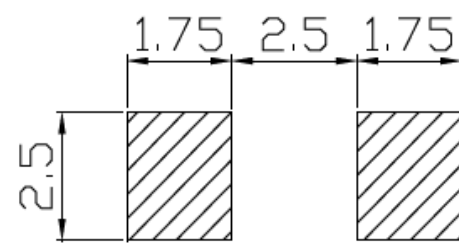
ELECTRICAL CHARACTERISTICS



OUTLINE DIMENSIONS:



Recommended Land Pattern



A	B	C max	D max	E ref	F ref	G ref
5.60±0.3	5.60±0.3	1.90	7.90	2.05	1.50	1.80

Dimension: mm

ABRACON IS
ISO 9001:2008
CERTIFIED



ABRACON
CORPORATION

Visit www.abracon.com for Terms & Conditions of Sale **Revised: 10.03.13**
30332 Esperanza, Rancho Santa Margarita, California 9268
tel 949-546-8000 | fax 949-546-8001 | www.abracon.com

SMD Unshielded Power Inductor

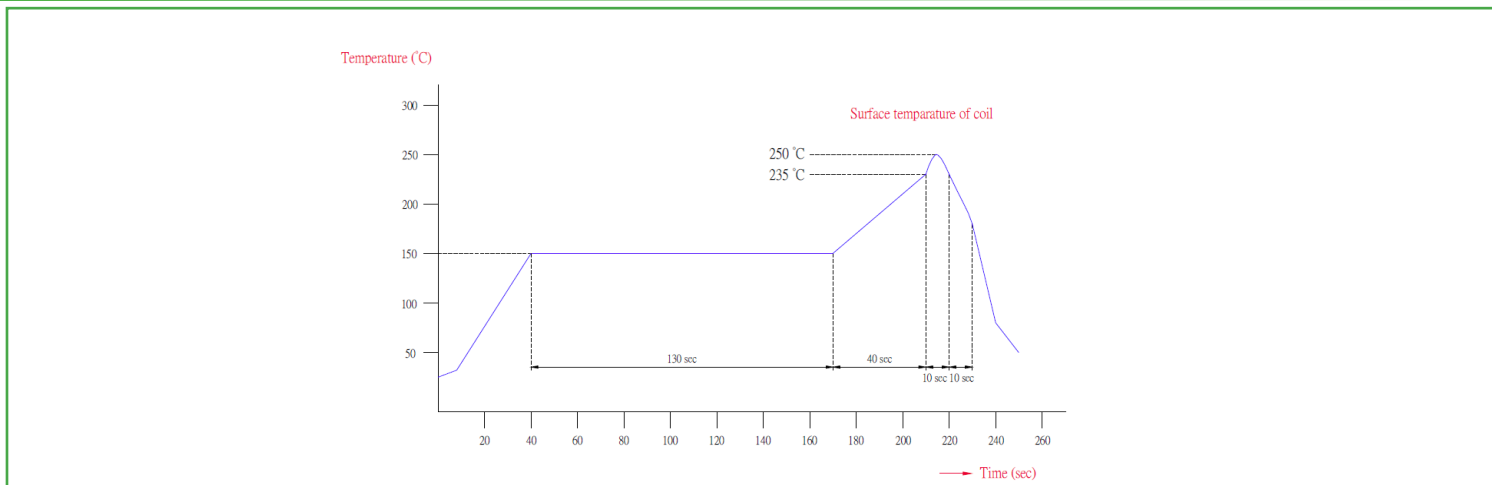


ASPI-5619

Pb | RoHS/RoHS II Compliant

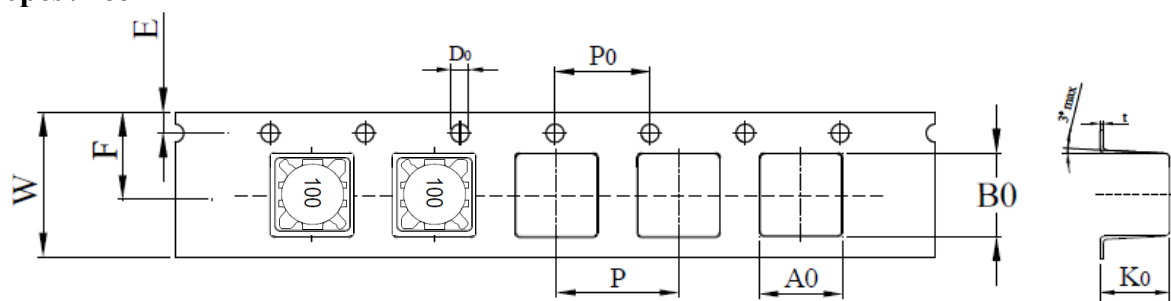
5.60 x 5.60 x 1.90mm

REFLOW PROFILE

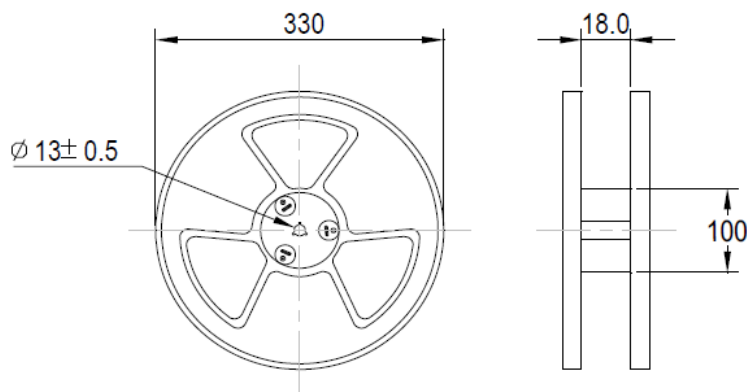


TAPE & REEL:

T: 4,000pcs / reel



W	E	F	P	A0	B0	D0	P0	K0	t
16±0.3	1.75±0.1	9.25±0.1	12.0±0.1	5.9±0.1	5.9±0.1	1.5±0.1	4.0±0.1	2.10±0.1	0.3±0.05



Dimension: mm

ATTENTION: Abracon Corporation's products are COTS – Commercial-Off-The-Shelf products; suitable for Commercial, Industrial and, where designated, Automotive Applications. Abracon's products are not specifically designed for Military, Aviation, Aerospace, Life-dependant Medical applications or any application requiring high reliability where component failure could result in loss of life and/or property. For applications requiring high reliability and/or presenting an extreme operating environment, written consent and authorization from Abracon Corporation is required. Please contact Abracon Corporation for more information.

ABRACON IS
ISO 9001:2008
CERTIFIED



Visit www.abracon.com for Terms & Conditions of Sale **Revised: 10.03.13**
30332 Esperanza, Rancho Santa Margarita, California 9268
tel 949-546-8000 | fax 949-546-8001 | www.abracon.com