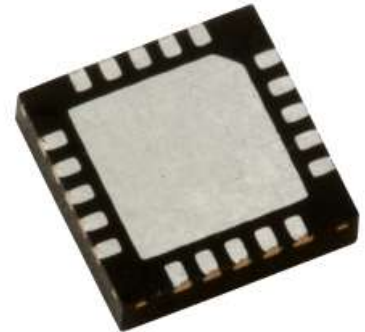


# HRF-SW1021

## SP4T Absorptive RF Switch DC To 2.5 GHz Operation

The Honeywell HRF-SW1021 is a high performance single pole four throw (SP4T) absorptive RF switch that is ideal for use in wireless basestation and handset applications that require minimum power and minimum insertion loss.

The HRF-SW1021 is manufactured with Honeywell's patented Silicon On Insulator (SOI) CMOS technology, which provides the performance of GaAs with the economy and integration capabilities of conventional CMOS technology. These switches are DC coupled to improve lower operating frequency, frequency response and reduce the number of DC bias points required.



*HRF-SW1021 in VQFN Package*

### FEATURES

- Typical High Isolation Of > 42 dB @ 2 GHz
- Typical Low Insertion Loss Of 1.2dB @ 2 GHz
- Integrated CMOS Control Logic
- DC-coupled, bi-directional RF Path
- Single Positive Supply Voltage
- Ultra Small VQFN Packaging
- Impedance matched to 75 Ohm systems

### RF ELECTRICAL SPECIFICATIONS @ + 25°C

Results @  $V_{DD} = 5.0 \pm 10\%$ ,  $V_{SS} = 0$  unless otherwise stated,  $Z_0 = 75$  Ohms  
 Contact Honeywell for relative performance at other supply configurations

Parameter	Test Condition	Frequency	Minimum	Typical	Maximum	Units
Insertion Loss		1.0 GHz		1.1	1.7	dB
		2.0 GHz		1.2	2.0	dB
		2.5 GHz		1.3	2.1	dB
Isolation		1.0 GHz	45	54		dB
		2.0 GHz	33	42		dB
		2.5 GHz	30	40		dB
Return Loss			-15	-20		dB
Input P1dB	$V_{SS} = \text{Gnd}$ $V_{SS} = -5V$	1.0 GHz		15		dBm
		1.0 GHz		25		dBm
Input IP3	Two-Tone Inputs, up to + 5 dBm $V_{SS} = \text{Gnd}$ $V_{SS} = -5V$	2.0 GHz		33		dBm
		2.0 GHz		34		dBm
Trise, Tfall Ton, Toff	10% To 90%			10		ns
	50% Cntl To 90% / 10% RF			20		ns

# HRF-SW1021

## DC ELECTRICAL SPECIFICATIONS @ + 25°C

Parameter	Minimum	Typical	Maximum	Units
V <sub>DD</sub>	3.3 <sup>1</sup>	5.0	5.5	V
V <sub>SS</sub>	-5.0			V
I <sub>DD</sub>		<5	35	uA
CMOS Logic Level (0)	0		0.8	V
CMOS Logic Level (1)	V <sub>DD</sub> - 0.8		V <sub>DD</sub>	V
Input Leakage Current			10	uA

Note 1 - Performance curves are for VDD = +5.0 +/- 10%

## ABSOLUTE MAXIMUM RATINGS<sup>1</sup>

Parameter	Absolute Maximum	Units
V <sub>DD</sub>	+6.0	V
V <sub>SS</sub>	-5.5	V
Vin Digital Logic 0	-0.6	V
Vin Digital Logic 1	V <sub>DD</sub> + 0.6	V
Input Power	> 35	dBm
ESD Voltage <sup>2</sup>	400	V
Moisture Sensitivity Level	Level 1	
Operating Temperature Range	-40 to +85	°C
Storage Temperature Range	-65 to +125	°C

Note 1 - Operation of this device beyond any of these parameters may cause permanent damage.

Note 2 - Although the HRF-SW1021 contains ESD protection circuitry on all digital inputs, precautions should be taken to ensure that the Absolute Maximum Ratings are not exceeded.

**Latch-Up:** Unlike conventional CMOS digital attenuators, Honeywell's HRF-SW1021 is immune to latch-up.

## TRUTH TABLE

C1	C0	RF Output 1	RF Output 2	RF Output 3	RF Output 4
0	0	RFINPUT			
0	1		RFINPUT		
1	0			RFINPUT	
1	1				RFINPUT

"0" = CMOS Low, "1" = CMOS High

## PIN CONFIGURATIONS

Pin	Function	Pin	Function	Pin	Function	Pin	Function
1	GROUND	6	RFOUTPUT3	11	C1	16	GROUND
2	RFOUTPUT4	7	GROUND	12	C0	17	GROUND
3	GROUND	8	GROUND	13	GROUND	18	RFINPUT
4	VDD	9	GROUND	14	RFOUTPUT1	19	GROUND
5	GROUND	10	RFOUTPUT2	15	GROUND	20	VSS

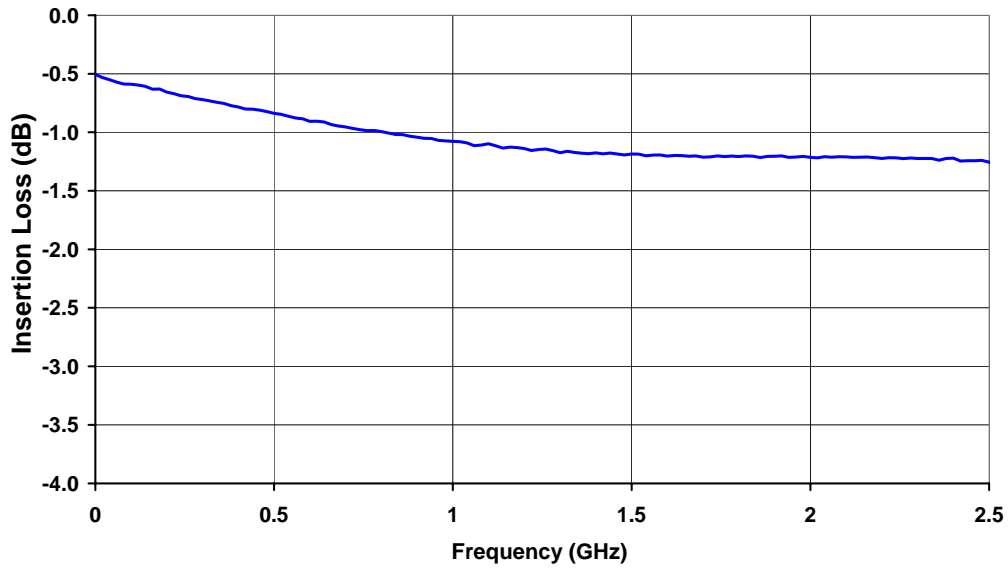
**Note:** Bottom ground plate must be grounded for proper RF performance.

# HRF-SW1021

## PERFORMANCE CURVES

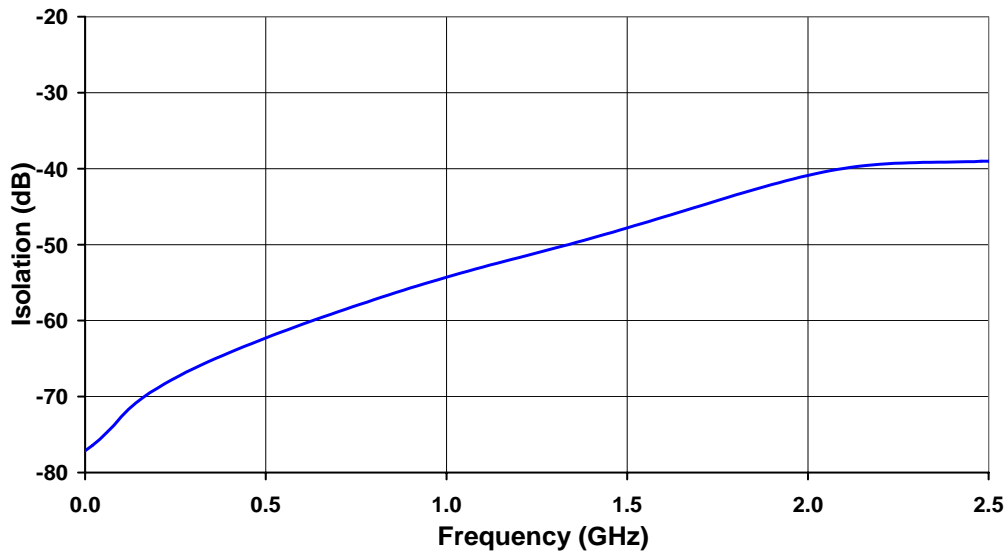
### Insertion Loss

Typical SW1021 Insertion Loss



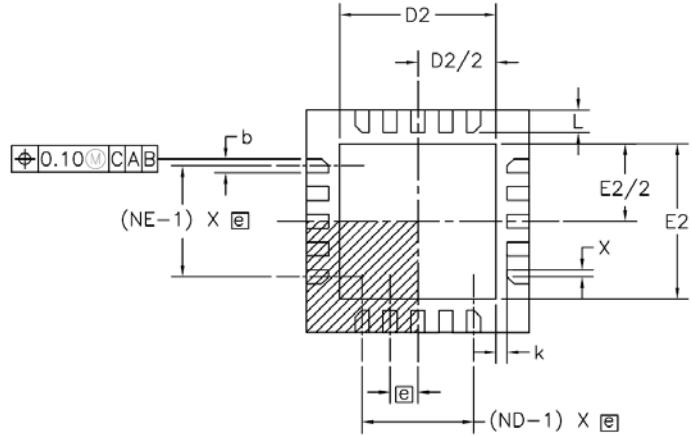
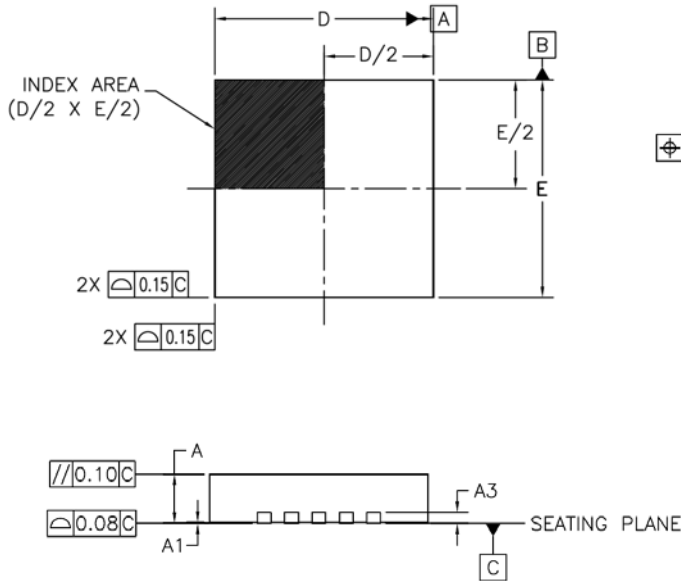
### Isolation

Typical SW1021 Isolation



# HRF-SW1021

## PACKAGE OUTLINE DRAWING



SYMBOL	VARIATION	MIN	NOM	MAX
A		0.80	0.90	1.00
A1		0	0.02	0.05
A3		---	0.20 REF	---
e		0.50 BSC		
b		0.23	0.25	0.28
D		3.90	4.00	4.10
E		3.90	4.00	4.10
D2		2.70	2.80	2.90
E2		2.70	2.80	2.90
k		0.20	---	---
L		0.35	0.40	0.45
N		20		
ND		5		
NE		5		
X		b/2	---	---

### Notes

1. Pin 1 identifier can be a combination of a dot and/or chamfer.
2. Dimensions are in millimeters.

## LEAD FINISH

The package leads are Tin Lead (SnPb).

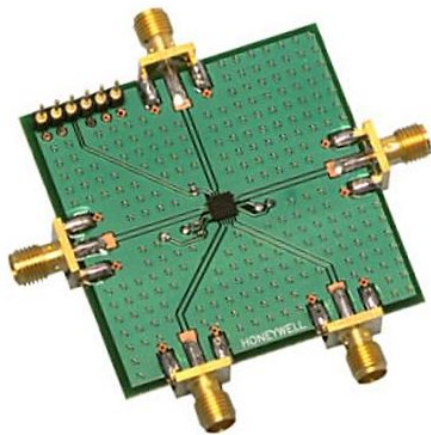
## CIRCUIT APPLICATION INFORMATION

These attenuators require a DC reference to ground. They may not operate properly when AC coupled on both the RF input and output without a DC ground reference provided as part of the circuit. See Application Note AN311 at [www.honeywell.com/microwave](http://www.honeywell.com/microwave).

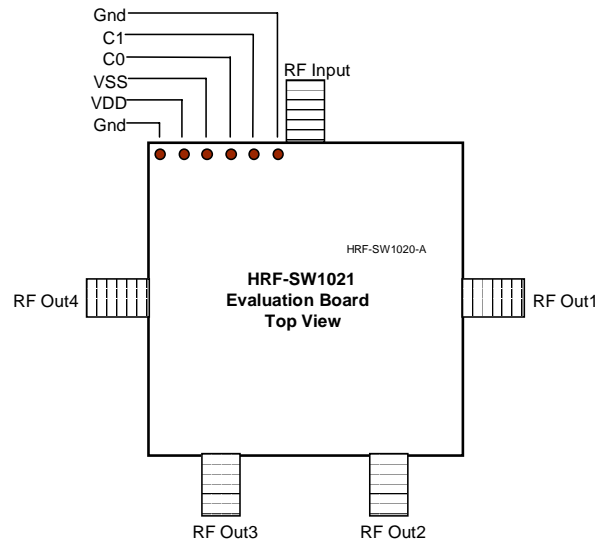
# HRF-SW1021

## EVALUATION CIRCUIT BOARD

Honeywell's evaluation board provides an easy to use method of evaluating the RF performance of our switch. Simply connect power; DC and RF signals to be measuring switch performance in less than 10 minutes.



**HRF-SW1021 Evaluation Board**



Note:  
HRF-SW1021 is the Z0 = 75 ohm version of the SW1020 evaluation board.

## EVALUATION CIRCUIT BOARD LAYOUT DESIGN DETAILS

Item	Description
PCB	Impedance Matched Multi-Layer FR4
Switch	HRF-SW1021 RF Switch
Chip Capacitor	Panasonic Model ECU-E1C103KBQ Capacitor, .01uf 0402 10% 16V
RF Connector	Johnson Connectors Model 142-0701-801 SMA RF Coaxial Connector
DC Pin	Mil-Max Model 800-10-064-10-001 Header Pins

## ORDERING INFORMATION

Ordering Number	Delivery Method	Units Per Shipment
HRF-SW1021-TR	Delivered On Tape And Reel	3000 Units per Reel
HRF-SW1021-T	Delivered on Tape	<3000
HRF-SW1021-E	Engineering Evaluation Board	One Board Per Box

## FIND OUT MORE

For more information on Honeywell's Microwave Products visit us online at [www.honeywell.com/microwave](http://www.honeywell.com/microwave) or contact us at 800-323-8295 (763-954-2474 internationally).

Honeywell reserves the right to make changes to improve reliability, function or design. Honeywell does not assume any liability arising out of the application or use of any product or circuit described herein; neither does it convey any license under its patent rights nor the rights of others.