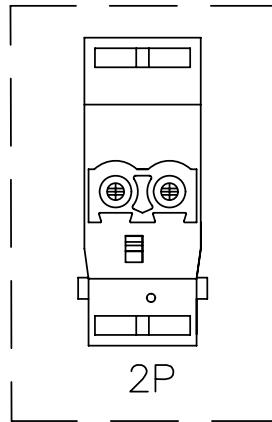
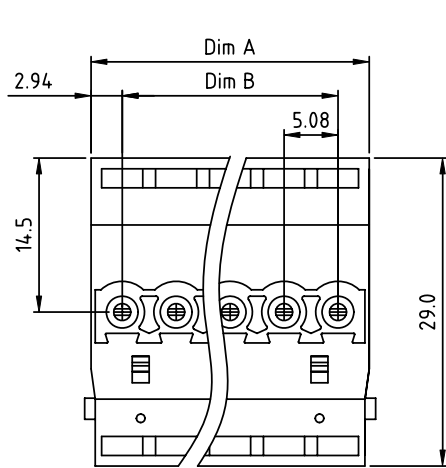


PRODUCT NUMBER	PITCH
VHxx51x000J0G	5.08 mm



N = Number of poles
 Dim A=(N-1)×5.08+5.88
 Dim B=(N-1)×5.08
 Dim C=N×5.08
 Dim D=N×5.08

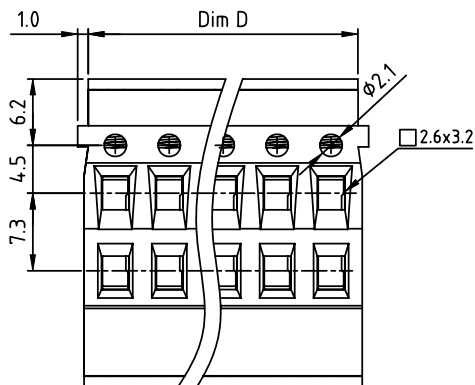
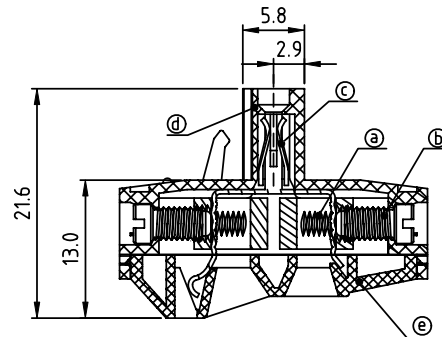
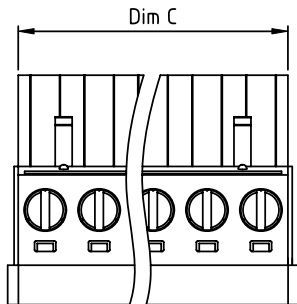
Poles	Dim A	Dim B	Dim C	Dim D
2p-6p	±0.15	±0.10	±0.15	±0.15
7p-12p	±0.20	±0.20	±0.20	±0.20
13p-18p	±0.30	±0.25	±0.30	±0.30
19p-24p	±0.40	±0.35	±0.40	±0.40

Material:

- ItemⒶ Clamp: Brass(CuZn) Ni plated
- ItemⒷ Terminal screw: Brass Zinc plating "-" slot type
- ItemⒸ Female contact: High conductivity copper, Tin plated
- ItemⒹ Terminal (housing): Thermoplastic (UL94V-0)
- ItemⒺ Terminal (cover): Thermoplastic (UL94V-0)

Electrical cULus

- Voltage rating: 300VAC
- Current rating: 20A
- Wire range:
- Solid wire(AWG): 12-24
- Stranded wire(AWG): 12-24
- Torque: 4.3 Lb-In
- Screw: M3
- Wire strip length: 7-8mm
- Withstanding Voltage: 1.6KV
- Operating temperature: -40°C to +115°C
- Safety Approval:



PART NO.: VH xx 51 x 0 00J0 G

Solid block	0	Color	Black (RAL9005)	RoHS compliant
No. of poles	2		Red (RAL3001/D)	(lead<4%)
02	2 poles	3	Orange(RAL2011/P)	In copper Alloy
03	3 poles	4	Yellow(RAL1018/A)	
...	...	5	Green(RAL6018/T)	
24	24 poles	6	Blue (RAL5015/A)	
		8	Grey(RAL7035/D)	
		9	White(RAL1102)	
		C	Green(RAL6018/U)	

mat'l. code		surface ASME Y14.5	tolerance ASME Y14.5	projection	product family
ltr ecn no dr date		tolerances unless otherwise specified			TERMINAL BLOCK
angles		X.±0.5		MM	title
X°±1'		X.X±0.3			TERMINAL BLOCK
		X.XX±0.1		scale	PLUGGABLE PLUG
dr		EVIN ZHONG	050614		dwg no
enrg		EVIN ZHONG	050614		sheet 1 of 1
chr		HANKE FENG	050614		size
appd		SHI JUN	050614		A4
sheet index		revision sheet	A 1		type
					CUSTOMER Drawing