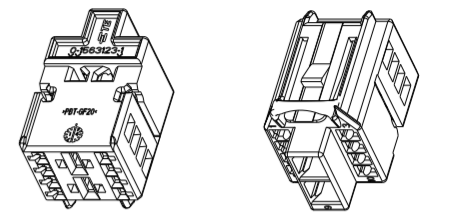
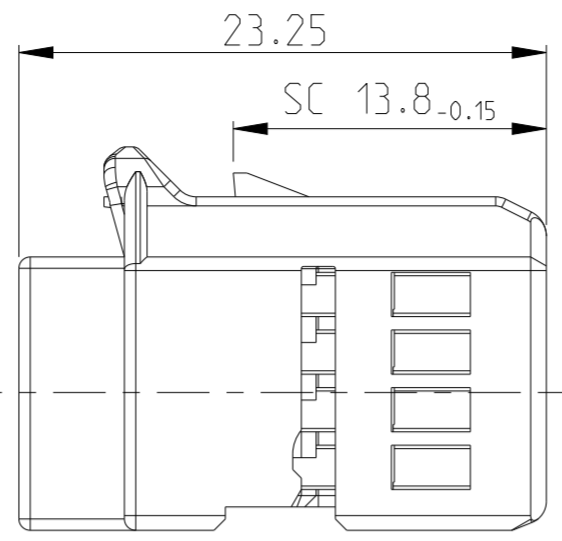
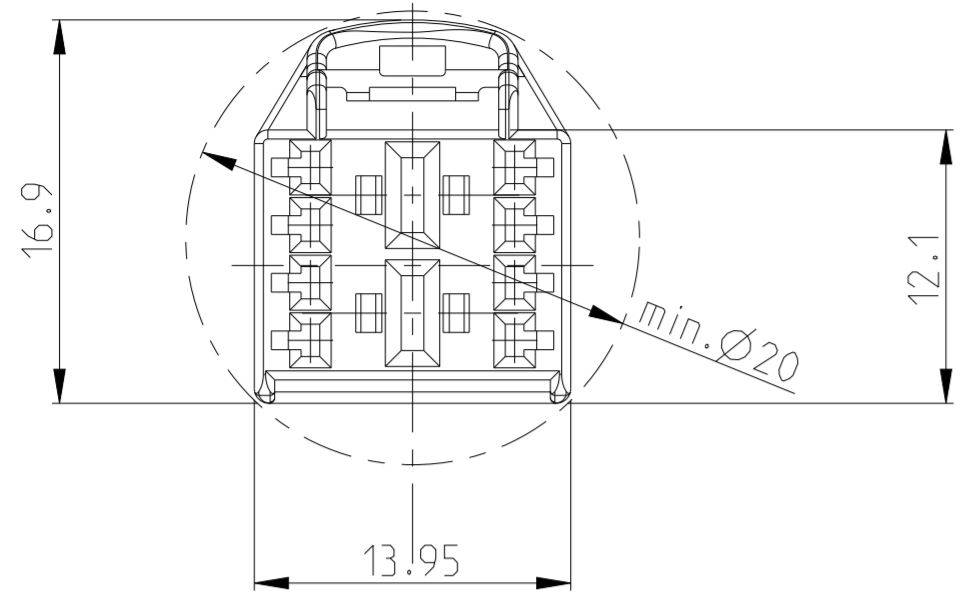
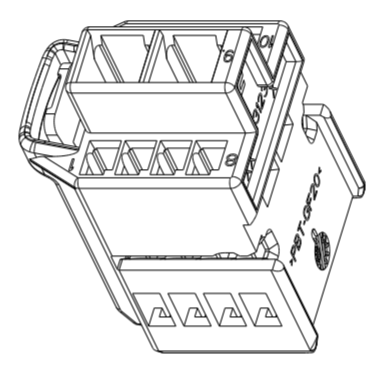
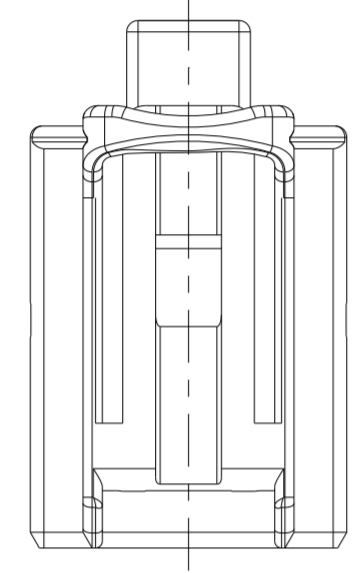


THIS DRAWING IS UNPUBLISHED. RELEASED FOR PUBLICATION 2007
 © COPYRIGHT 2007 BY TYCO ELECTRONICS CORPORATION. ALL RIGHTS RESERVED.

LOC	DIST	REVISIONS			
P	LTR	DESCRIPTION	DATE	DWN	APVD
A3		ECR-10-008573	21APR2010	GP	GM
A4		ECR-17-010498	19JUL2017	KC	PT
A5		NEW CODING ADDED (-3 ; -4)	11OCT2022	YE	FB
A6		TE PN UPDATED	06DEC2022	YE	FB



1:1



2:1

SECONDARY LOCK TO BE MOUNTED BY HARNESSMAKER AFTER CONTACT INSERTION:
 Zweite Kontaktsicherung wird nach Kontaktbestuekung durch den Kabelkonfektionaeer montiert:

0-1563124-1
 10POS MIXED SECONDARY LOCK

DELIVERY CONDITION:
PARTS UNMOUNTED EACH IN SEPERATE BOXES.
SECONDARY LOCK TO BE ORDERED SEPERATELY !

Anlieferungszustand:
Teile werden separat geliefert.
Zweite Kontaktsicherung muss separat bestellt werden !

A6 A6 A6 A6

CODING				
TE PART NUMBER	1563123-1	1563123-2	1563123-3	1563123-4
CODE	CODE Z	CODE Z	CODE A	CODE B

NOTES:
 Bemerkungen:
 1 MATED WITH TE-PN: 0-1563125-1
 Verwendet mit TE-PN: 0-1563125-1
 SC SIGNIFICANT CHARACTERISTIC
 Significantes Merkmal

PART NO	DESCRIPTION	COLOUR	ITEM NO
0-1563123-4	10POS. MIXED RECEPTACLE HOUSING	GREY SIMILAR RAL7035	
0-1563123-3	10POS. MIXED RECEPTACLE HOUSING	GREEN SIMILAR RAL6002	
0-1563123-2	10POS. MIXED RECEPTACLE HOUSING	NATURE	1
0-1563123-1	10POS. MIXED RECEPTACLE HOUSING	BLACK SIMILAR RAL9011	1

APPLICABLE TERMINALS verwendete Kontakte		
MCON 1.2 LL TERMINAL-FEMALE (0.25mm ² -0.35mm ²) WITH INS.Ø1.1-Ø1.75	TIN PLATE	0-1452653-1
MCON 1.2 LL TERMINAL-FEMALE (0.5mm ² -0.75mm ²) WITH INS.Ø1.4-Ø1.9	TIN PLATE	0-1452656-1
MCP2.8K TYPE A TERMINAL-FEMALE (0.2mm ² -0.35mm ²) WITH INS.Ø1.15-Ø1.4	TIN PLATE	0-1241386-1
MCP2.8K TYPE A TERMINAL-FEMALE (0.5mm ² -1.0mm ²) WITH INS.Ø1.4-Ø2.1	TIN PLATE	0-1241388-1
MCP2.8K TYPE A TERMINAL-FEMALE (≥1.0mm ² -2.5mm ²) WITH INS.Ø2.2-Ø3.0	TIN PLATE	0-1241390-1
DESCRIPTION Beschreibung	FINISH Oberflaeche	TERMINALS TE-NO. Kontakte TE-Nr.

<small>THIS DRAWING IS A CONTROLLED DOCUMENT FOR TYCO ELECTRONICS CORPORATION IT IS SUBJECT TO CHANGE AND THE CONTROLLING ENGINEERING ORGANIZATION SHOULD BE CONTACTED FOR THE LATEST REVISION.</small>		DWN G.PUCKEL 27AUG2007 CHK K.ROTH 27AUG2007 APVD G.MUMPER 27AUG2007	Tyco Electronics AMP GmbH 64625 Bensheim (Germany)
DIMENSIONS: mm	TOLERANCES UNLESS OTHERWISE SPECIFIED: 0 PLC ±0.50 1 PLC ±0.50 2 PLC ±0.50 3 PLC ± 4 PLC ± ANGLES ±2°	NAME 10POS MIXED RECEPTACLE HOUSING 8 x MCON1.2 AND 2 x MCP2.8 APPLICATION SPEC 114-18923 WEIGHT -	SIZE A2 CAGE CODE 00779 DRAWING NO C=1563123 RESTRICTED TO
MATERIAL - FINISH -		CUSTOMER DRAWING SCALE 3:1 SHEET 1 OF 1 REV A6	