

1

2

3

4

A

B

C

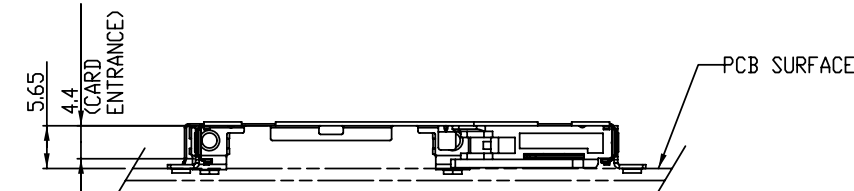
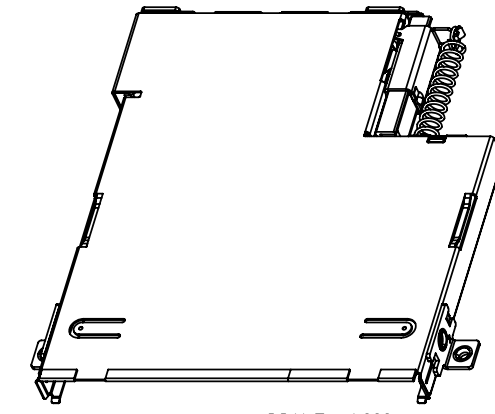
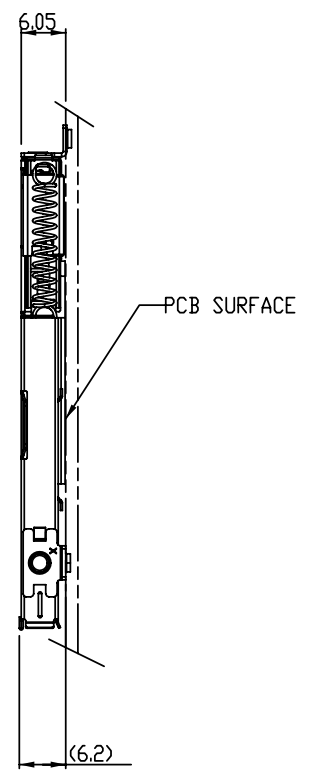
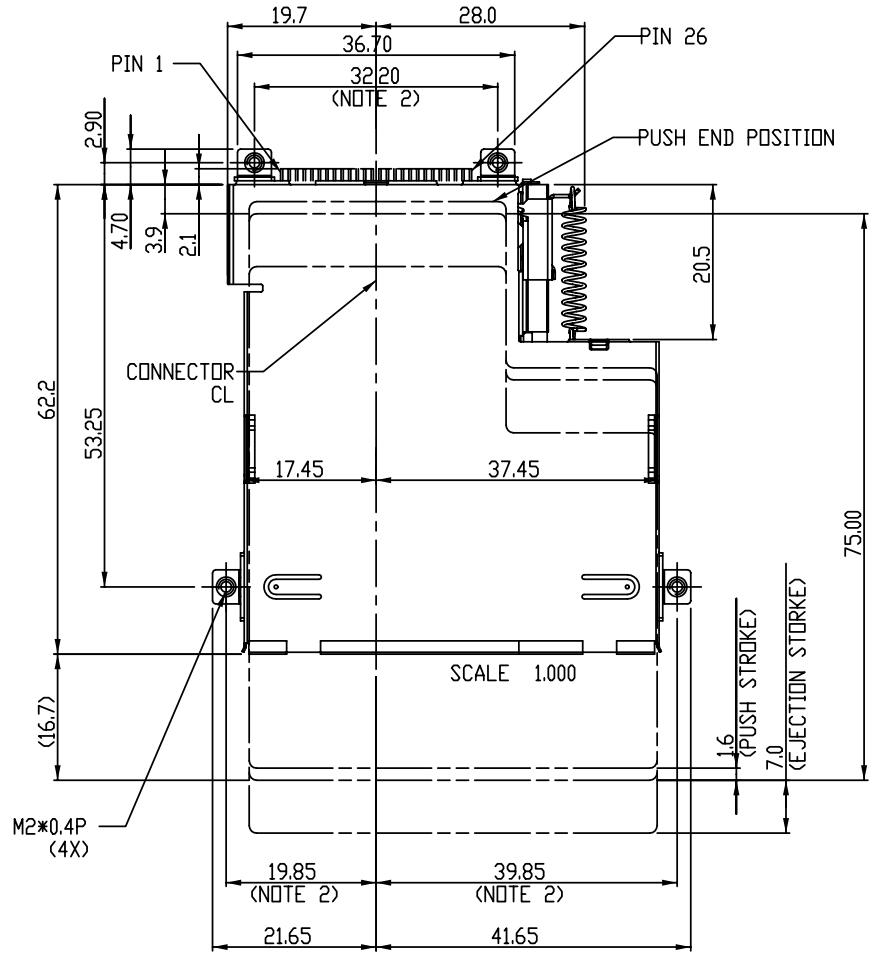
D

A

B

C

D



tolerance unless otherwise specified	
linear	.X ± .5
	.XX ± .30
angles	0° ± 2°

www.fciconnect.com			✓ tolerance ASME Y14.5	projection	MM
Dr	KENNY TAI	02/17/05	Product family	size	A4
Eng	KENNY TAI	02/17/05	Spec ref	*	Scale 1.000
Chr	KENNY TAI	02/17/05	Material	SEE NOTES	ECN N10-0413
Appr	JOSEPH HSIA	02/17/05			
rev	ecn no	dr	date		
A	T05-0116	TAI	05/30/05		
B	T05-0244	TAI	11/02/05		
C	N10-0413	SH	2010-12-10		
-	-	-	-		
-	-	-	-		
-	-	-	-		
-	-	-	-		
title	FCJ TOP MOUNT, CARD PUSH EXPRESSCARD HOST MECH.			dwg no	10053827
catalog no	10053827		CUSTOMER	sheet 1 of 2	Rev. C



Copyright FCI.

REV F - 2006-04-17

1

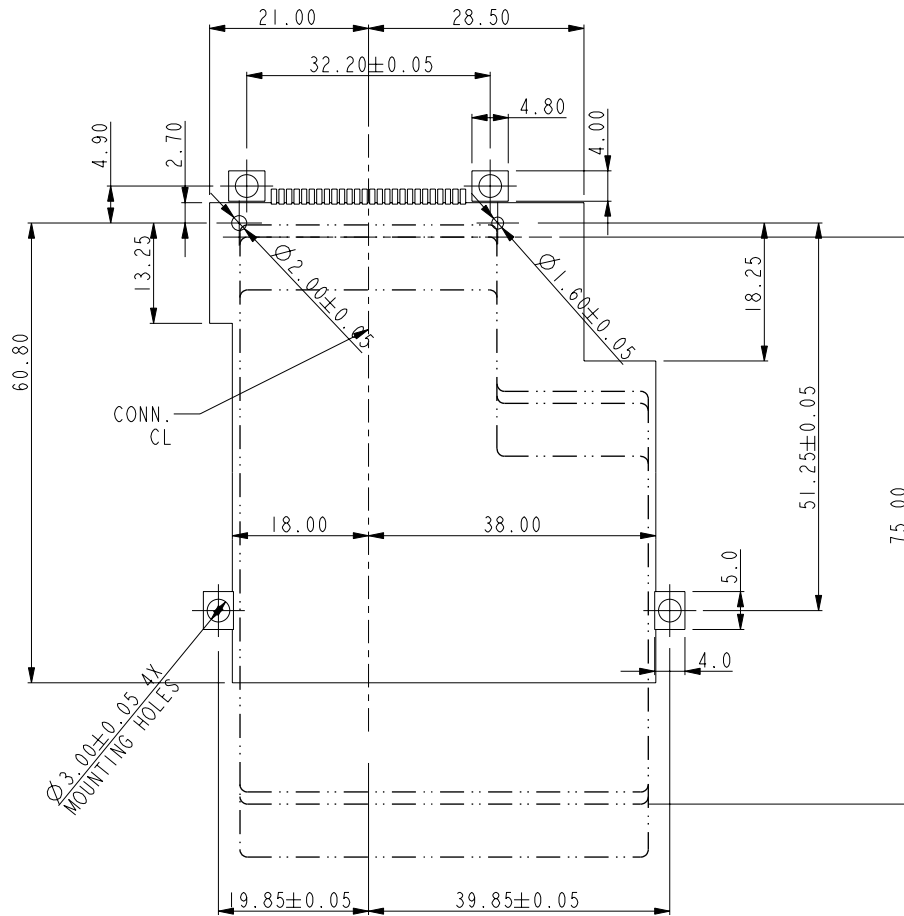
2

3 PDM: Rev:C

STATUS: Released

4 Printed: Dec 22, 2010

PART NO.	MOUNTING	STAND-OFF	HOST CONN P/N	PRODUCT SPEC.	PACKING SPEC.	NOTE
10053827-00A	ABOVE	0MM	10053826-X00AXXLF	GS-12-301	GS-14-295	LEAD FREE
10053827-00ALF	ABOVE	0MM	10053826-X00AXXLF	GS-12-301	GS-14-295	LEAD FREE

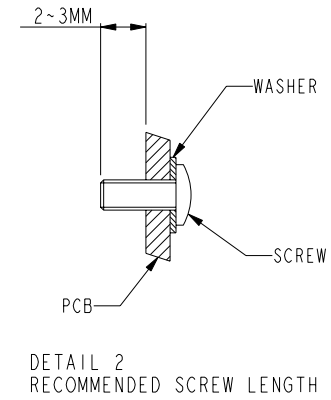


SCALE 1.000

NO MOUNTING PART AREA

NOTE:

1. 4 M2*0.4P SCREWS WITH WASHER ARE REQUIRED.
2. SHOW DIMENSION AFTER FASTENED TO PCB.
3. SEE HOST CONNECTOR DRAWINGS FOR PCB LAYOUT DETAIL.
4. RECOMMENDED TIGHTING TORQUE 1.6~1.8 KGF-CM.
5. SEE DETAIL 2 FOR RECOMMENDED SCREW LENGTH.



TOP MOUNT, CARD PUSH
EXPRESSCARD HOST MECH.

dwg no

10053827

Rev.
C

catalog no

10053827

CUSTOMER

sheet 2 of 2