

THIS DRAWING IS UNPUBLISHED. RELEASED FOR PUBLICATION DEC ,2005.

© COPYRIGHT 2005 By - ALL RIGHTS RESERVED.

LOC	DIST	REVISIONS					
E	B	P	LTR	DESCRIPTION	DATE	DWN	APVD
		C1		ECR-12-005726	27MAR12	RK	MY

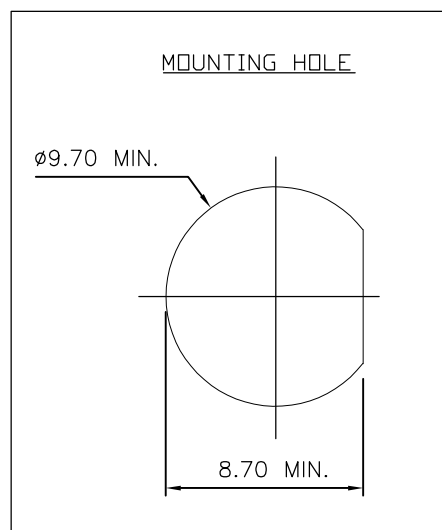
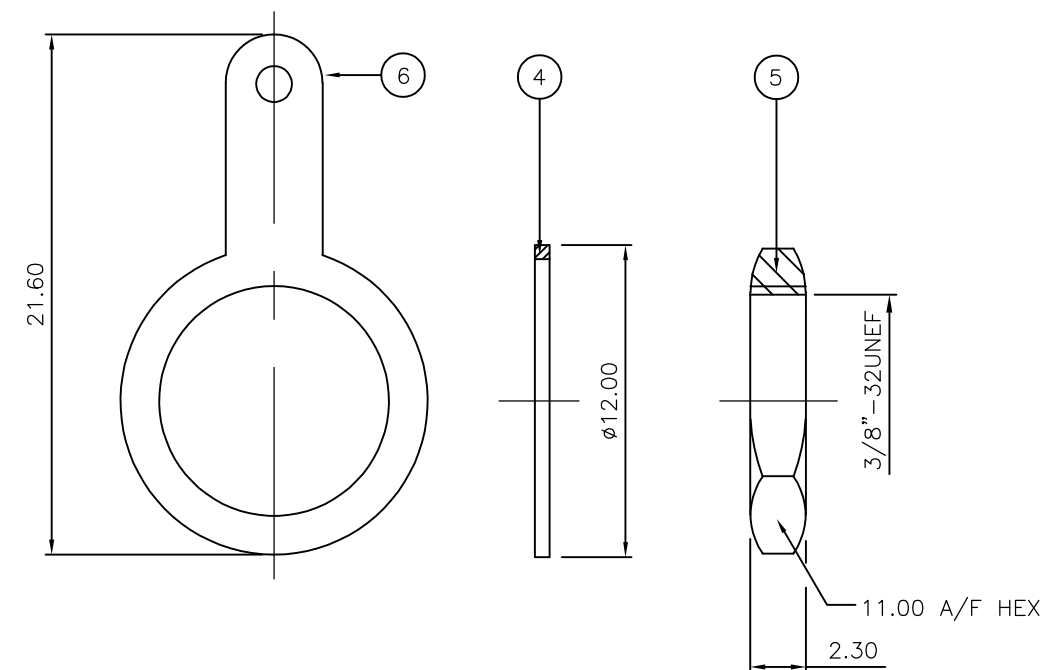
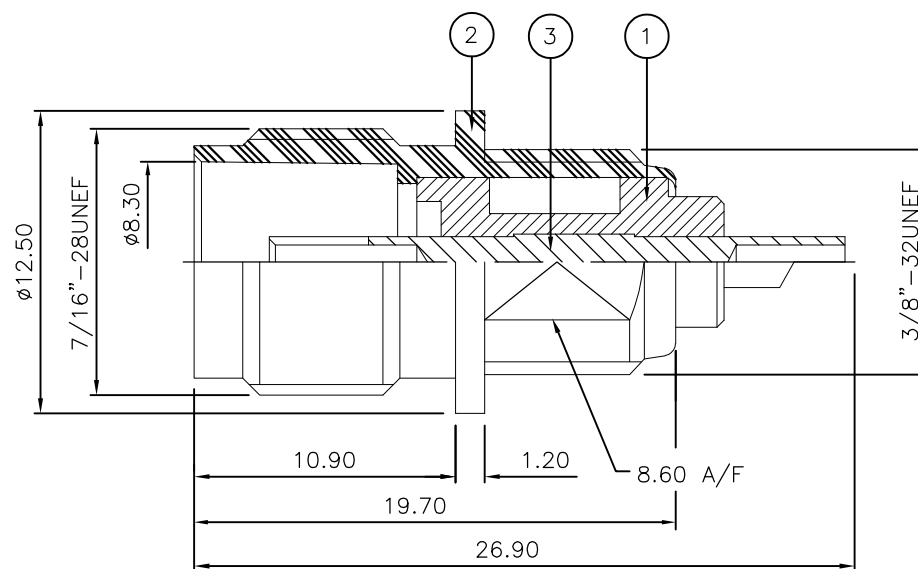
NOTES:

- ① PACK IN ACCORDANCE WITH TE SPEC 107-3275
- ② 100 TRAY PACK IN ACCORDANCE WITH TE SPEC 107-3275
- ③ Ag PLATING

4 ELECTRICAL CHARACTERISTICS
 FREQUENCY RANGE: DC - 11 GHz
 NOMINAL IMPEDANCE: 50 Ohm
 INSULATION RESISTANCE: 5000 MOhm
 WORKING VOLTAGE: 500 Volts RMS at Sea Level
 DIELECTRIC WITHSTAND VOLTAGE: 1500 Volts RMS Max
 CONTACT RESISTANCE:
 CENTRE CONTACT: 1.50 mOhm Max
 OUTER CONTACT: 1.00 mOhm Max
 INSERTION LOSS db: 0.20 Max

5 MECHANICAL CHARATERISTICS
 MOUNT NUT RECOMMENDED TORQUE: 2.5N
 DURABILITY: 500 Cycles Min

6 ENVIRONMENTAL CHARACTERISTICS
 OPERATING TEMPERATURE: -65 to +165 DegC



QTY	QTY PER ASSY	QTY PER ASSY	MATERIAL	DESCRIPTION	ITEM
1	1	1	BRASS	SOLDER TAG	6
1	1	1	BRASS	HEX NUT	5
1	1	1	BRASS	WASHER	4
1	1	1	BRASS	CONTACT	3
1	1	1	BRASS	BODY	2
1	1	1	PTFE	INSULATION	1
6--0	1--0		MATERIAL	DESCRIPTION	ITEM
QUANTITY PER ASSY		PARTS LIST			

THIS DRAWING IS A CONTROLLED DOCUMENT.		DWN	J.SANDWELL	15DEC05	STE TE Connectivity													
DIMENSIONS: mm		CHK	S.PARLOW	15DEC05														
TOLERANCES UNLESS OTHERWISE SPECIFIED:		APVD	F.WHEELER-KING	15DEC05														
<table border="0"> <tr><td>0 PLC</td><td>± -</td></tr> <tr><td>1 PLC</td><td>± -</td></tr> <tr><td>2 PLC</td><td>± -</td></tr> <tr><td>3 PLC</td><td>± -</td></tr> <tr><td>4 PLC</td><td>± -</td></tr> <tr><td>ANGLES</td><td>± -</td></tr> <tr><td>FINISH</td><td>± -</td></tr> </table>		0 PLC	± -	1 PLC		± -	2 PLC	± -	3 PLC	± -	4 PLC	± -	ANGLES	± -	FINISH	± -	PRODUCT SPEC	NAME
0 PLC	± -																	
1 PLC	± -																	
2 PLC	± -																	
3 PLC	± -																	
4 PLC	± -																	
ANGLES	± -																	
FINISH	± -																	
MATERIAL	SEE TABLE	APPLICATION SPEC	TNC BULKHEAD SOCKET FRONT MOUNT 50 & 75 OHM + TAG															
		WEIGHT	-															
		CUSTOMER DRAWING	SCALE	NTS	SHEET	1 OF 1	REV	C1										