

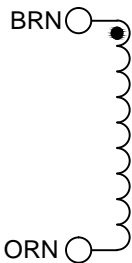
PRIMARY

SECONDARY

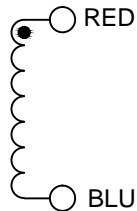
PRIMARY #1
117V 50/60Hz



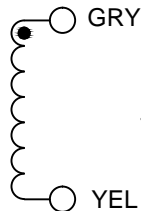
PRIMARY #2
117V 50/60Hz



SECONDARY #1
12V @ 12.5Amps



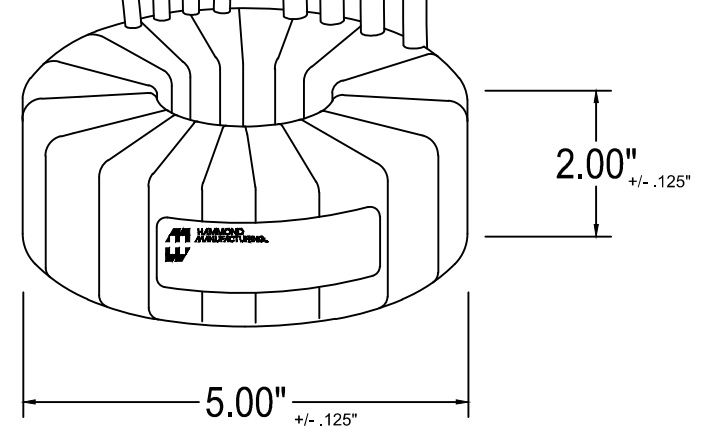
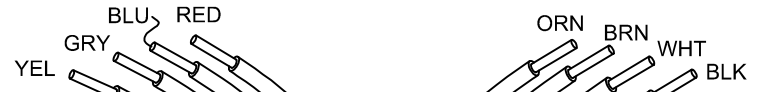
SECONDARY #2
12V @ 12.5Amps



PRIMARY LEADS ARE #20 TEW
SECONDARY LEADS ARE #12 TEW

ALL LEADS OUT 8"-9" AND
STRIPPED 0.5" MIN.

WEIGHT: 6.02Lbs +/- 4%



HAMMOND MANUFACTURING
1182T12
 50/60Hz VA:300
 PRI: 2x 117V BLK-WHT, BRN-ORN
 SEC: 2x 12V @ 12.5A RED-BLU, GRY-YEL
 1A0300A000C012012
 MADE IN CANADA DATE PB
 RoHS Compliant
 CE, UL, and other compliance logos.

SUPPLIED WITH: TWO 0.062" T X 3.75" OD RUBBER WASHERS.
 ONE 16GA X 3.56" OD STEEL MOUNTING WASHER.
 ONE 1/4-20 BOLT 2.50" LONG WITH A LOCK WASHER AND 1/4-20 HEX NUT.

ELECTRICAL DATA:		
TESTS	CONDITIONS	ACCEPTANCE CRITERIA
Sec. N.L.V	@ 117V, 60Hz BLK & BRN to WHT & ORN	
OR	@ 234V, 50Hz BLK to ORN (Connect BRN & WHT)	
	RED - BLU	12.86 V ±2%
	GRY - YEL	12.86 V ±2%
POLARITY	BLK, BRN, RED and GRY.	ADDITIVE
DCR	BLK - WHT	1.960 Ohms ±20%
IN OHMS	BRN - ORN	1.960 Ohms ±20%
	RED - BLU	0.020 Ohms ±20%
	GRY - YEL	0.020 Ohms ±20%
HI POT	PRIMARY - SECONDARY	4000V, 60Hz, 1 SEC
	PRIMARY - PRIMARY	600V, 60Hz, 1 SEC
	SECONDARY - SECONDARY	600V, 60Hz, 1 SEC

PROPERTY AND COPYRIGHT NOTICE
 THIS DRAWING AND THE INFORMATION IT CONVEYS ARE THE PROPERTY OF HAMMOND MANUFACTURING. IT MAY NOT BE REPRODUCED, TRANSMITTED OR USED IN ANY MANNER WHATSOEVER WITHOUT THE WRITTEN PERMISSION OF HAMMOND MANUFACTURING.

REV	NOTES	BY	DATE	ELECTRONIC DIVISION 52 RANKIN PLACE, WATERLOO, ONTARIO, N2J 3Z5 PHONE: 519.886.6181 FAX: 519.886.9540
TOROID POWER TRANSFORMER				NUMBER 1182T12
DRAWN G. GRAY		DATE 21/03/2014		
APPROVED		DATE		