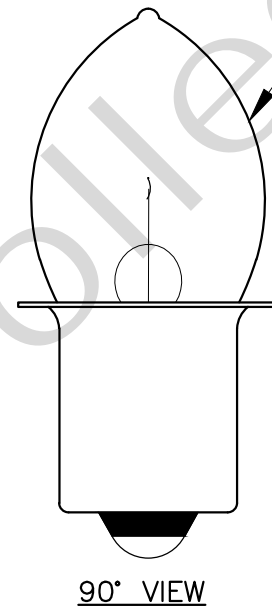
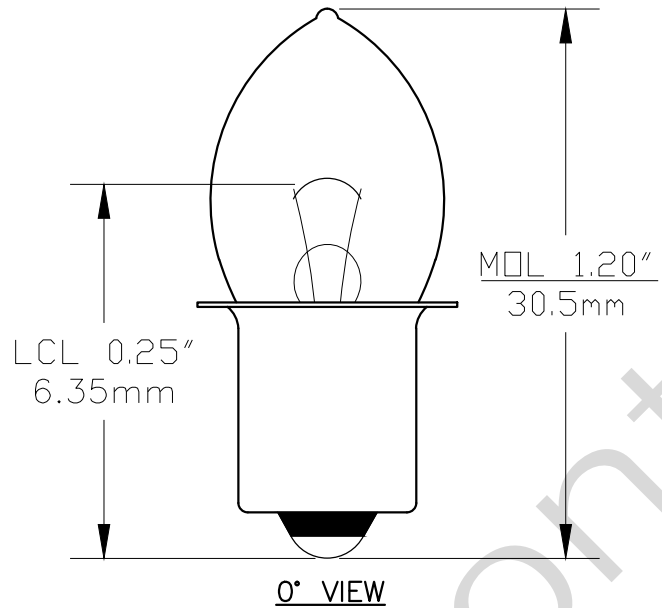




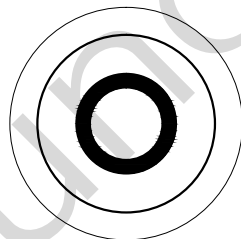
Since 1959

PART NO.	BASE TYPE	DESIGN VOLTS	DESIGN AMPS	MSCD	AVERAGE LIFE HOURS
KPR103	S.C. Miniature Flanged P13.5s	3.6V	0.70A	2.7CD	15

REVISIONS			
REV #	DESCRIPTION	DATE	APPROVED
1	ADDRESS CHANGE	02/04/2005	S.L.
2	REVISED LIFE HRS, WATTS, AMPS	10/11/2021	M.L.



B-3 1/2 BULB SHAPE
Clear Glass



UNLESS OTHERWISE SPECIFIED: DIMENSIONS ARE IN INCHES TOLERANCES DECIMALS .XX ± .05 .XXX ± .010 FRACTIONAL ± 1/64		CEC INDUSTRIES LTD 599 BOND STREET LINDOLNSHIRE, IL 60069	
DRAWN ANNA SOLOVEYCHIK	DATE 06/11/2003	TITLE LIGHT BULB NO. KPR103	
CHECKED	DESIGN	SIZE A	REV 2
MATERIAL	FILE KPR103.pdf	SCALE	DWG NO. KPR103
		PLOT SCALE	SHEET 1 OF 1
			DRAWING NOT TO SCALE