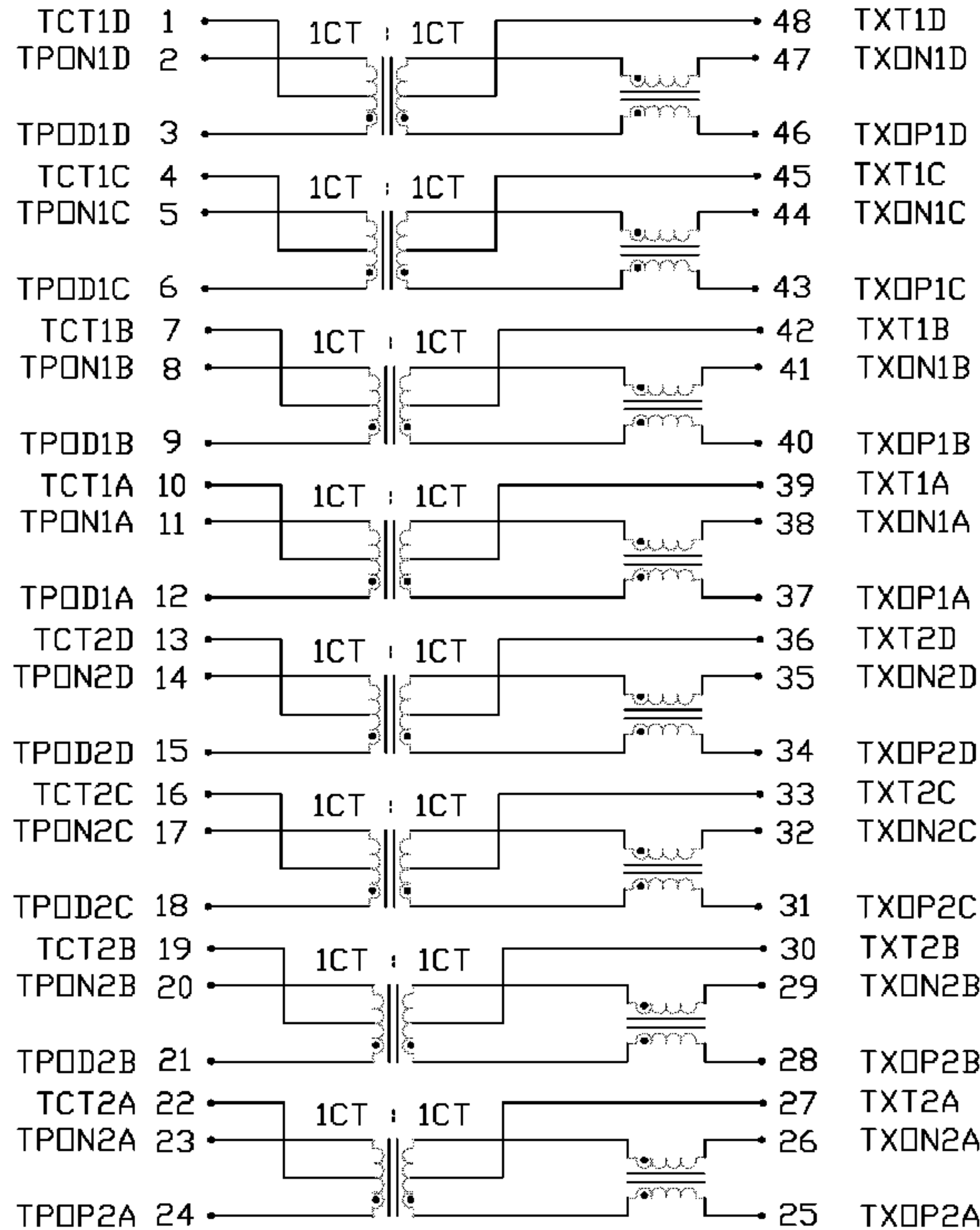


THE INFORMATION CONTAINED HEREIN IS CONSIDERED "PROPRIETARY" TO BEL FUSE INC. AND SHALL NOT BE COPIED, REPRODUCED OR DISCLOSED WITHOUT THE WRITTEN APPROVAL OF BEL FUSE INC.



SCHEMATIC



ELECTRICAL CHARACTERISTICS @ 25°C

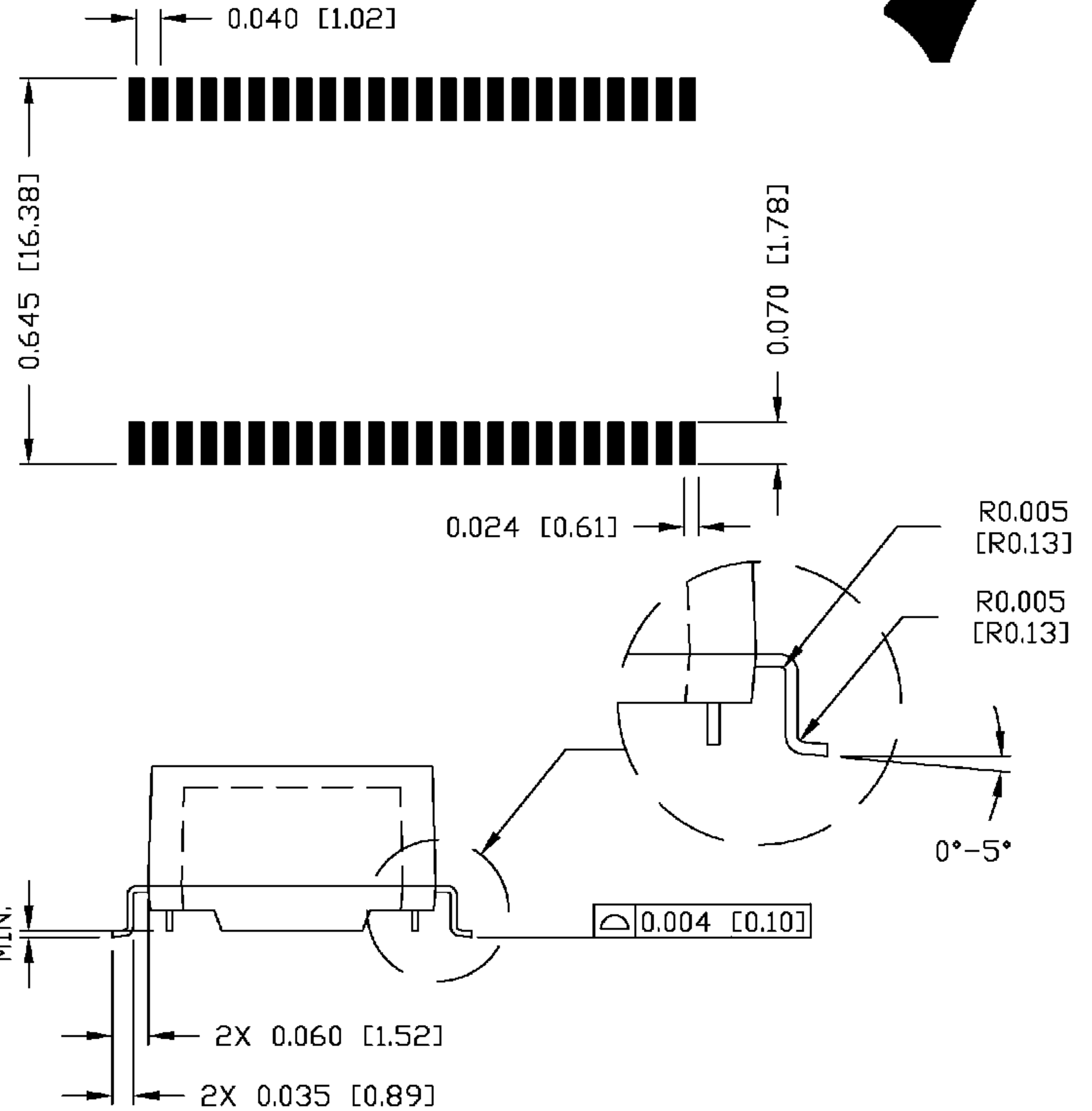
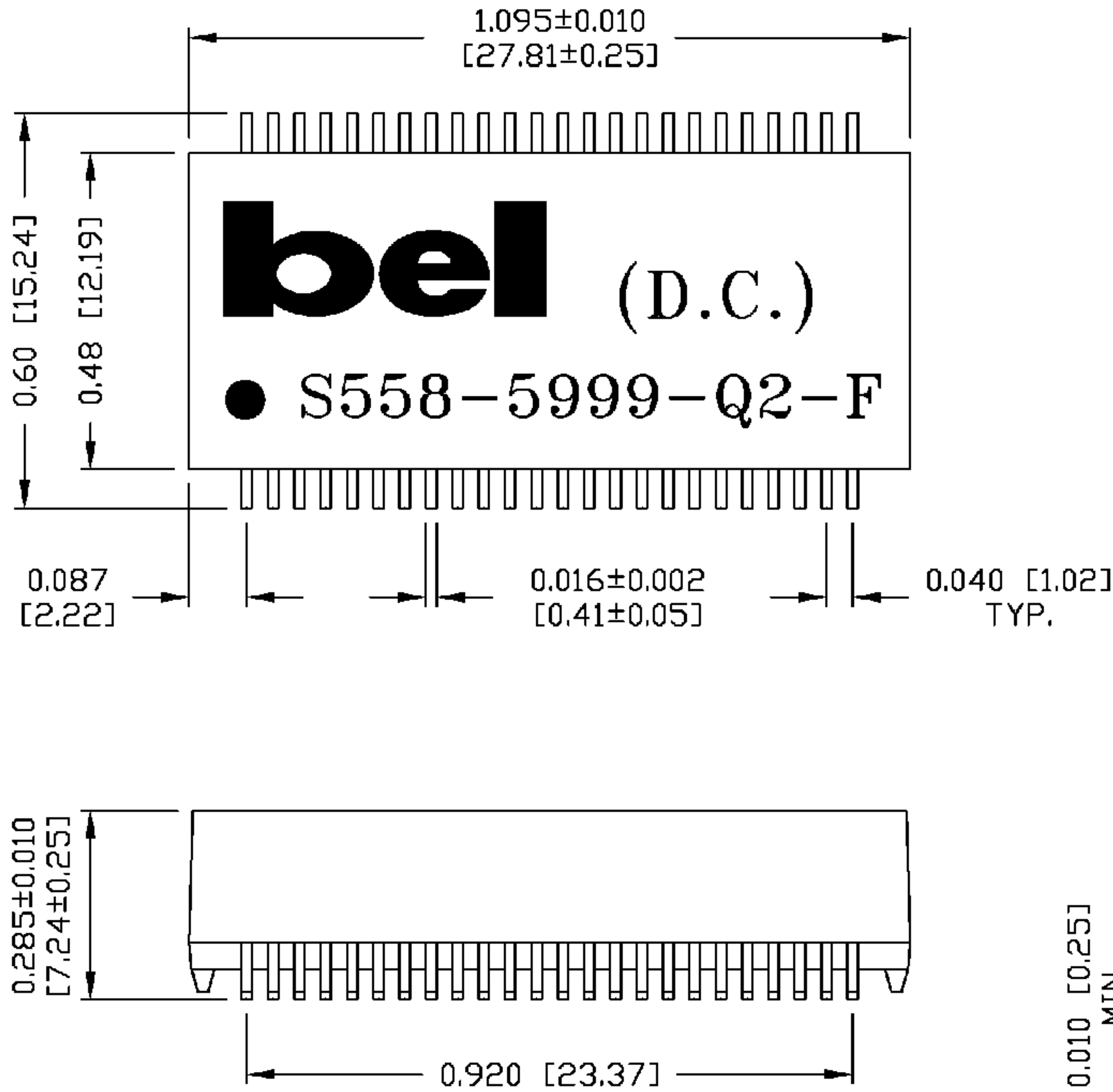
TURN RATIO	1CT : 1CT ±2%										
QCL	350μH MIN. @100kHz, 100mV, WITH 8mA D.C. BIAS PIN (46-47), (43-44), (40-41), (37-38) PIN (34-35), (31-32), (28-29), (25-26)										
INSERTION LOSS	<table border="1"> <thead> <tr> <th>FREQ.</th> <th>1MHz</th> <th>65MHz</th> <th>100MHz</th> <th>125MHz</th> </tr> </thead> <tbody> <tr> <td>MAX.</td> <td>1.1dB</td> <td>0.5dB</td> <td>0.8dB</td> <td>1.2dB</td> </tr> </tbody> </table>	FREQ.	1MHz	65MHz	100MHz	125MHz	MAX.	1.1dB	0.5dB	0.8dB	1.2dB
FREQ.	1MHz	65MHz	100MHz	125MHz							
MAX.	1.1dB	0.5dB	0.8dB	1.2dB							
RETURN LOSS MEASURED UNDER A 100 Ω ENVIRONMENT	18dB MIN. @ 0.5 TO 40 MHz 12-20LOG(f/80MHz)dB MIN. @ 40 TO 100MHz										
COMMON TO COMMON MODE REJECTION	30dB MIN. @ 0.1 TO 100MHz										
CROSSTALK	33-20LOG(f/100MHz)dB MIN. @ 1 TO 100MHz										
HIPOT	PER HAND-WORK-03										

ORIGINATED BY HQ	DATE 04-26-06	TITLE ELECTRICAL SPECIFICATION	PART NO. / DRAWING NO. X5585999Q2-F	STANDARD DIM. TOL. IN INCH .X .XX .XXX	[] METRIC DIM. AS REFERENCE UNIT : INCH [mm] SCALE : N/A 	REV. : A SIZE : A4 PAGE : 2	bel COMPONENTS FOR A CONNECTED PLANET
DRAWN BY DQ Chen	DATE 04-26-06	TITLE S558-5999-Q2-F	FILE NAME X5585999Q2FA.DWG				

THE INFORMATION CONTAINED HEREIN IS CONSIDERED "PROPRIETARY" TO BEL FUSE INC. AND SHALL NOT BE COPIED, REPRODUCED OR DISCLOSED WITHOUT THE WRITTEN APPROVAL OF BEL FUSE INC.



SUGGESTED PCB PAD LAYOUT



NOTES:

- STANDARD MARKING REFER TO DOC. HAND-WORK-04.
- PACKAGE CODE: "QVS001".

ORIGINATED BY	DATE	TITLE	PART NO. / DRAWING NO.	STANDARD DIM. TOL. IN INCH	[] METRIC DIM. AS REFERENCE	<p>COMPONENTS FOR A CONNECTED PLANET</p>
HO	04-26-06	MECHANICAL DRAWING	X5585999Q2-F	.X	UNIT : INCH [mm]	
DRAWN BY	DATE	S558-5999-Q2-F	FILE NAME	.XX ±0.01	SCALE : N/A	
DQ Chen	04-26-06	X5585999Q2FA.DWG		.XXX ±0.005	REV. : A SIZE : A4 PAGE : 3	