

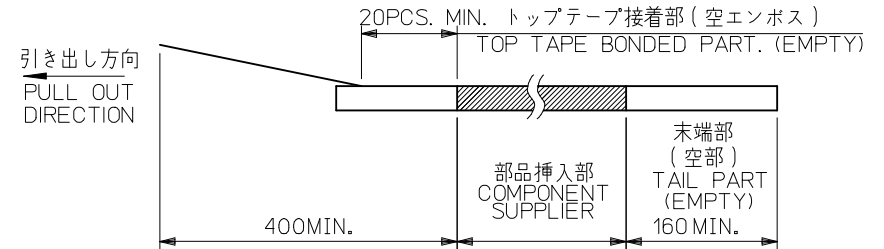
16mm 幅キャリアテープ
16mm WIDTH CARRIER TAPE

16	17.4	8.52	503105-3010	30
キャリアテープ幅 CARRIER TAPE WIDTH	B	(A)	MATERIAL No.	CKT.
			MODEL No.	503105-***10

SEE SHEET 1 OF 3 EC NO.: J2013-1009 DRWNG: TOYODA 2013/03/13 CHKD: TASAKAWA 2013/03/13 APPR: MSASAO 2013/03/13	GENERAL TOLERANCES (UNLESS SPECIFIED)	DIMENSION STYLE MM ONLY	SCALE ---	DESIGN UNITS METRIC	THIRD ANGLE PROJECTION
	10 UNDER ± --- 10 OVER 30 UNDER ± --- 30 OVER ± --- ANGULAR ± --- ° DRAFT WHERE APPLICABLE MUST REMAIN WITHIN DIMENSIONS	DRAWN BY RTAKEUCHI DATE 2008/08/20 CHECKED BY THIRATA DATE 2008/08/20 APPROVED BY MSASAO DATE 2008/08/20	TITLE 0.4 B-TO-B CONN. HGT=1.5 REC ASSY EMBSTP PKG		molex DOCUMENT NO. SD-503105-002 SHEET NO. 2 OF 3
		SEE CHART			
		THIS DRAWING CONTAINS INFORMATION THAT IS PROPRIETARY TO MOLEX INCORPORATED AND SHOULD NOT BE USED WITHOUT WRITTEN PERMISSION			

注記 NOTES

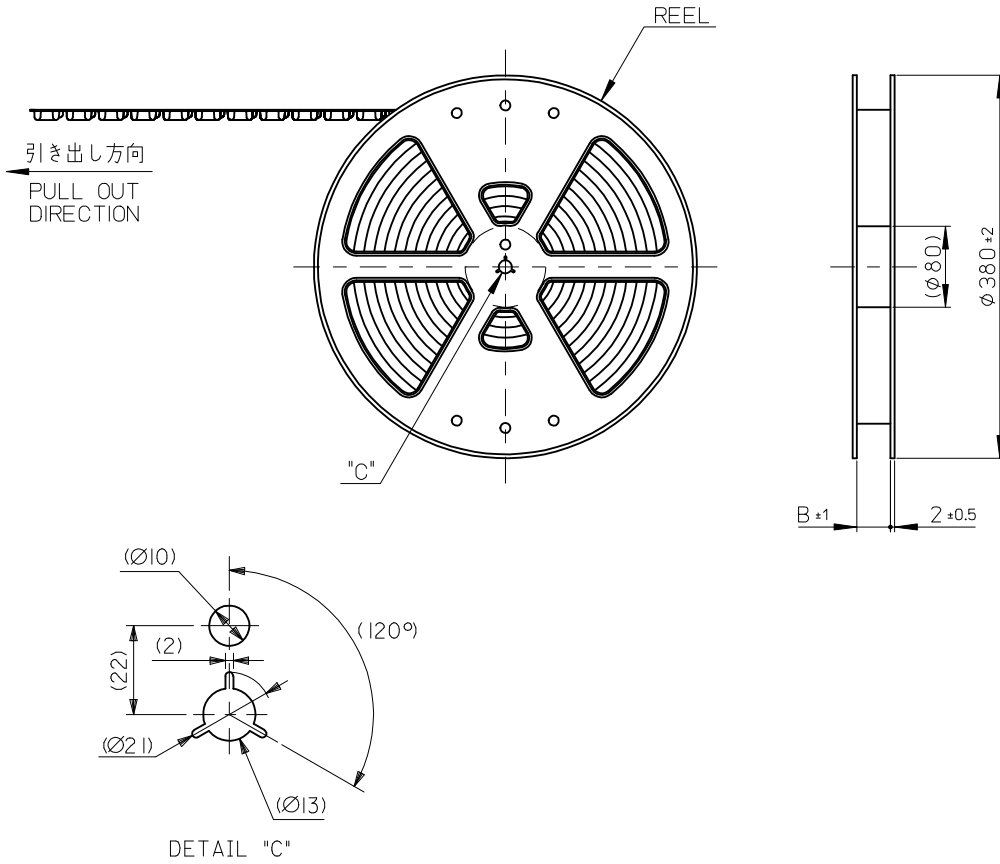
- 製品詳細寸法については製品単体図面を参照下さい。
FOR DETAIL OF CONNECTOR DIMENSIONS,
PLEASE SEE THE DRAWING OF CONNECTOR ITSELF (NOT PACKAGED).
- 梱包数量: 3000 個/リール
NUMBER OF CONNECTORS : 3000PCS/REEL
- リードテープ長さ LEAD TAPE LENGTH



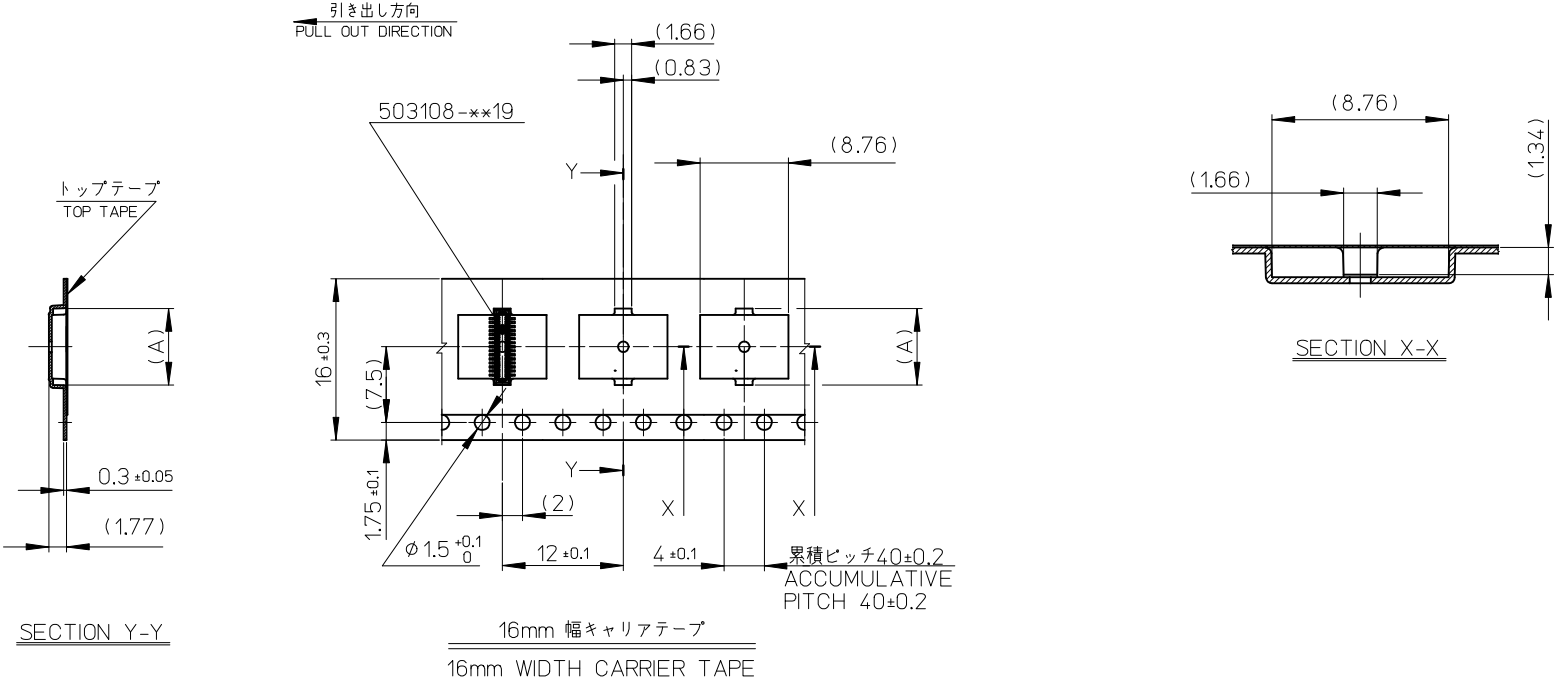
- トップテープの剥離強度: 0.1N~1.3N(10gf~130gf)
(剥離方向は下図参照)
尚、本規格値は出荷時に適用。(但し、輸送時に剥離が発生しないこと。)
PEELING OFF FORCE OF TOP TAPE : 0.1N~1.3N(10gf~130gf)
(PEELING DIRECTION AS SHOWN IN FOLLOWING FIG.)
THIS REQUIREMENT SHOULD BE APPLIED AT SHIPMENT.
PEEL OFF SHOULD NOT BE ALLOWED, DURING TRANSPORTION.



- 材料 MATERIAL
キャリアテープ (CARRIER TAPE): ポリスチレン (POLYSTYRENE)
トップテープ (TOP TAPE): PET, PE, PEF
リール (REEL): ポリスチレン (PS) <リサイクル材を含む>
POLYSTYRENE (PS) <RECYCLE MATERIAL CONTAINED>
- ELV及びRoHS適合品
ELV AND RoHS COMPLIANT



REVISED EC NO: J2013-1009 DRWN:KTOYODA 2013/03/13 CHKD:TASAKAWA 2013/03/13 APPR:MSASAO 2013/03/13	DESCRIPTION D	GENERAL TOLERANCES (UNLESS SPECIFIED)		DIMENSION STYLE MM ONLY		SCALE ---	DESIGN UNITS METRIC	MODEL NO. 503108-**10	
		10 UNDER	±---	DRAWN BY RTAKEUCHI	DATE 2008/08/20	TITLE 0.4 B-TO-B CONN. HGT=1.5 PLUG ASSY EMBSTP PKG			
		10 OVER 30 UNDER	±---	CHECKED BY THIRATA	DATE 2008/08/20				
		30 OVER	±---	APPROVED BY MSASAO	DATE 2008/08/20				
ANGULAR ±---°		DRAFT WHERE APPLICABLE MUST REMAIN WITHIN DIMENSIONS		MATERIAL NO. SEE CHART		DOCUMENT NO. SD-503108-002		SHEET NO. 1 OF 3	
				THIS DRAWING CONTAINS INFORMATION THAT IS PROPRIETARY TO MOLEX INCORPORATED AND SHOULD NOT BE USED WITHOUT WRITTEN PERMISSION					



SECTION Y-Y

SECTION X-X

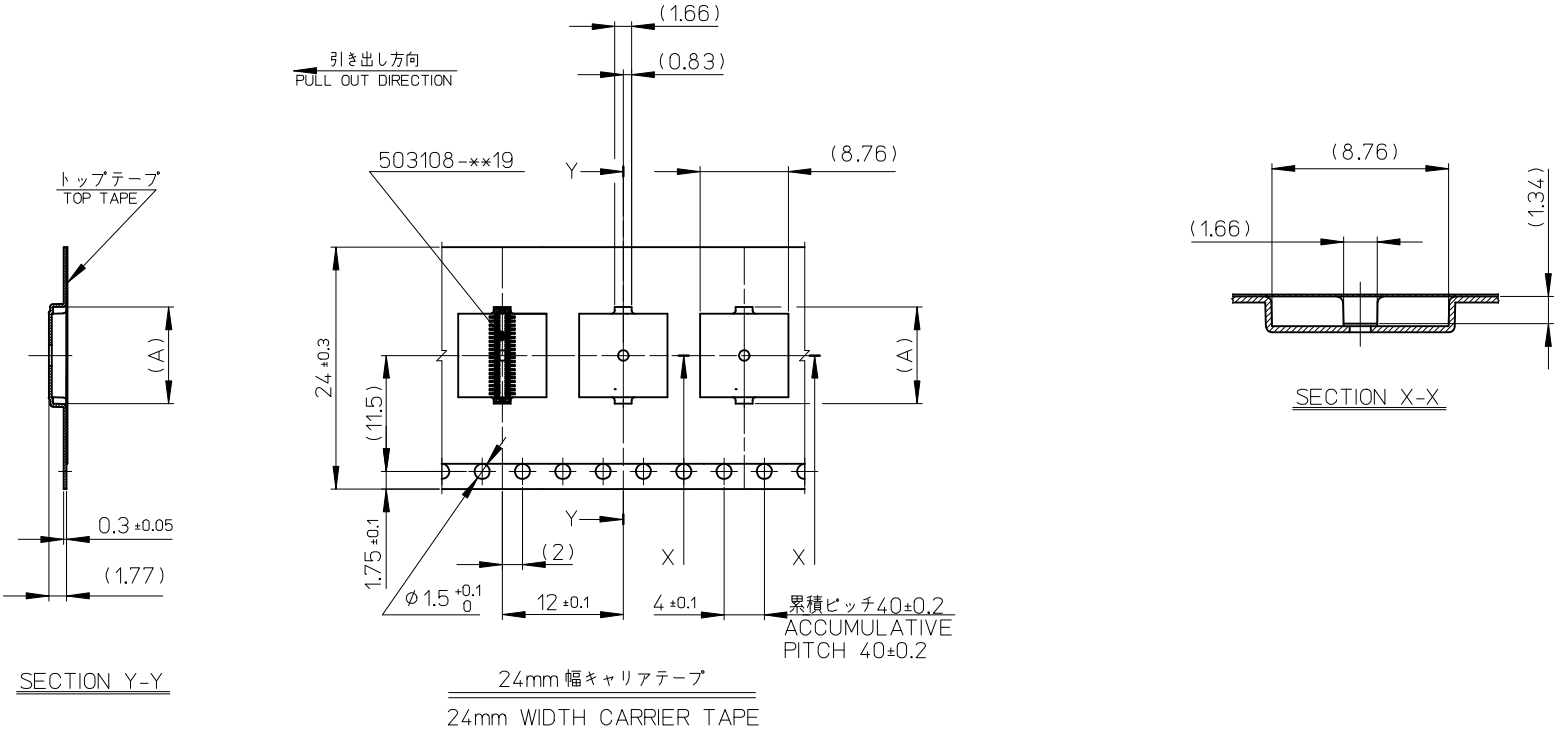
16mm 幅キャリアテープ
16mm WIDTH CARRIER TAPE

16	17.4	7.58	503108-3010	30
キャリアテープ幅 CARRIER TAPE WIDTH	B	(A)	MATERIAL No.	CKT.
			MODEL No.	503108-**10

SEE SHEET 1 OF 3 EC NO.: J2013-1009 DRWNG: TOYODA 2013/03/13 CHKD: TASAKAWA 2013/03/13 APPR: MSASAO 2013/03/13	GENERAL TOLERANCES (UNLESS SPECIFIED)
	10 UNDER ± --- 10 OVER 30 UNDER ± --- 30 OVER ± --- ANGULAR ± --- ° DRAFT WHERE APPLICABLE MUST REMAIN WITHIN DIMENSIONS
	DESCRIPTION
	REV

DIMENSION STYLE		SCALE	DESIGN UNITS
MM ONLY		---	METRIC
DRAWN BY	DATE	TITLE	
RTAKEUCHI	2008/08/20	0.4 B-TO-B CONN. HGT=1.5 PLUG ASSY EMBSTP PKG	
CHECKED BY	DATE		
THIRATA	2008/08/20		
APPROVED BY	DATE	molex DOCUMENT NO. SD-503108-002 SHEET NO. 2 OF 3	
MSASAO	2008/08/20		
MATERIAL NO.	SEE CHART		

THIRD ANGLE PROJECTION	
THIS DRAWING CONTAINS INFORMATION THAT IS PROPRIETARY TO MOLEX INCORPORATED AND SHOULD NOT BE USED WITHOUT WRITTEN PERMISSION	



SECTION Y-Y

SECTION X-X

24mm 幅キャリアテープ
24mm WIDTH CARRIER TAPE

24	25.5	11.58	503108-5010	50	
		10.38	503108-4410	44	
		9.58	503108-4010	40	
キャリアテープ幅 CARRIER TAPE WIDTH		B	(A)	MATERIAL No.	CKT.
			MODEL No.	503108-**10	

REVISED EC NO: J2013-1009 DRW:KTOYODA 2013/03/13 CHK:D.TASAKAWA 2013/03/13 APPR:MSASAO 2013/03/13	DESCRIPTION REV	GENERAL TOLERANCES (UNLESS SPECIFIED)		DIMENSION STYLE MM ONLY		SCALE ---	DESIGN UNITS METRIC	THIRD ANGLE PROJECTION		
		10 UNDER	±---	DRAWN BY RTAKEUCHI	DATE 2008/08/20	TITLE 0.4 B-TO-B CONN. HGT=1.5 PLUG ASSY EMBSTP PKG				
		10 OVER 30 UNDER	±---	CHECKED BY THIRATA	DATE 2008/08/20	molex DOCUMENT NO. SD-503108-002 SHEET NO. 3 OF 3				
		30 OVER	±---	APPROVED BY MSASAO	DATE 2013/03/13					
		ANGULAR ±---°		DRAFT WHERE APPLICABLE MUST REMAIN WITHIN DIMENSIONS		MATERIAL NO. SEE CHART				