

THE INFORMATION CONTAINED HEREIN IS CONSIDERED "PROPRIETARY" TO BEL FUSE INC. AND SHALL NOT BE COPIED, REPRODUCED OR DISCLOSED WITHOUT THE WRITTEN APPROVAL OF BEL FUSE INC.

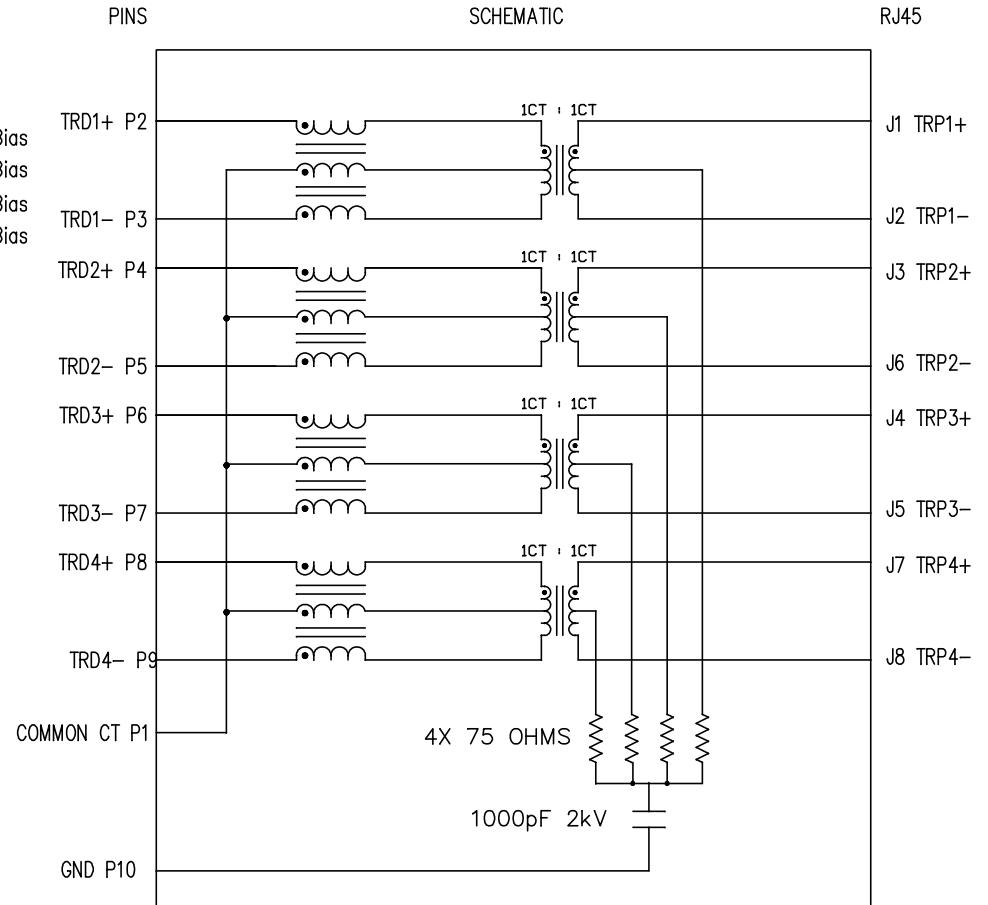
RoHS  
2002/95/EC



ELECTRICAL SPECIFICATIONS:

DESIGNED FOR OPERATION FROM -40 TO 85 degrees C

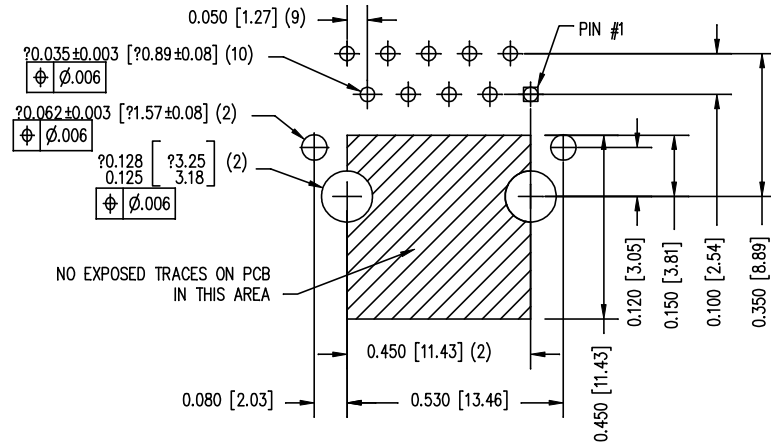
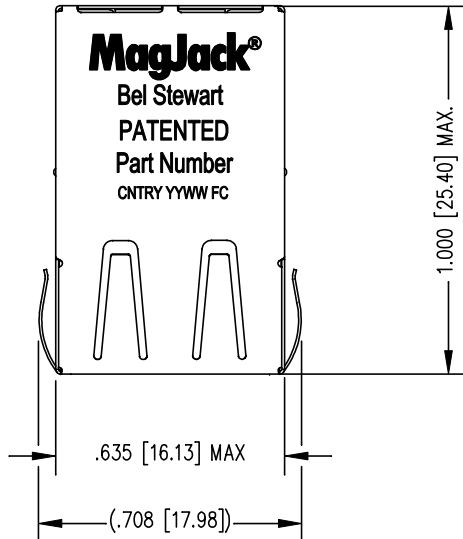
- |   |  |   |  |
|---|--|---|--|
| 1.0 INDUCTANCE:                         | (P2-P3)  | : | 350uH MIN. @ 0.1V, 100KHz, 8mA DC Bias |
|   | (P4-P5)  | : | 350uH MIN. @ 0.1V, 100KHz, 8mA DC Bias |
|   | (P6-P7)  | : | 350uH MIN. @ 0.1V, 100KHz, 8mA DC Bias |
|   | (P8-P9)  | : | 350uH MIN. @ 0.1V, 100KHz, 8mA DC Bias |
| 2.0 TURNS RATIO:                        | (P2-P3) : (J1-J2)                                    | : | 1CT : 1CT ± 2%                         |
|   | (P4-P5) : (J3-J6)                                    | : | 1CT : 1CT ± 2%                         |
|   | (P6-P7) : (J4-J5)                                    | : | 1CT : 1CT ± 2%                         |
|   | (P8-P9) : (J7-J8)                                    | : | 1CT : 1CT ± 2%                         |
| 3.0 RETURN LOSS:                        | 100 OHM REF. 500kHz TO 40MHz                         | : | -18dB MIN.                             |
|   | 40MHz TO 100MHz                                      | : | -12+20LOG(f/80MHz) MIN.                |
| 4.0 INSERTION LOSS:                     | RS=RL=100 OHMS 100KHz TO 100MHz                      | : | 1.2dB MAX.                             |
| 5.0 CROSS TALK:                         | Ch1-Ch2, Ch1-Ch3, Ch1-Ch4, Ch2-Ch3, Ch2-Ch4, Ch3-Ch4 |   |  |
|   | 1MHz TO 30MHz  | : | -35dB MIN.                             |
|   | 30MHz TO 80MHz                                       | : | -24dB MIN.                             |
|   | 80MHz TO 100MHz                                      | : | -25dB MIN.                             |
| 6.0 CM TO CM REJECTION:                 | 100kHz TO 100MHz                                     | : | -30dB MIN.                             |
| 7.0 CM TO DM REJECTION:                 | 100kHz TO 100MHz                                     | : | -35dB MIN.                             |
| 8.0 VOLTAGE WITHSTAND:                  | (J1, J2) TO (P2, P3)                                 | : | 1500 Vrms                              |
|   | (J3, J6) TO (P4, P5)                                 | : | 1500 Vrms                              |
|   | (J4, J5) TO (P6, P7)                                 | : | 1500 Vrms                              |
|   | (J7, J8) TO (P8, P9)                                 | : | 1500 Vrms                              |
| 9.0 THIS COMPONENT IS A PATENT PRODUCT; | US PATENT NUMBER 7,123,117.                          |   |  |



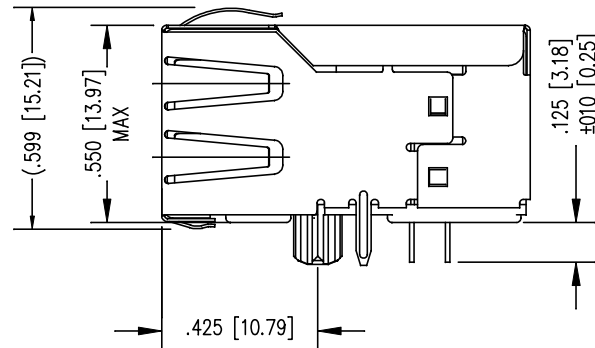
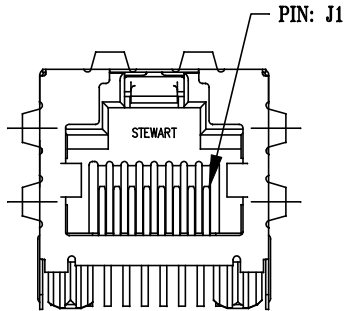
ORIGINATED BY <b>RS Zhang</b>	DATE <b>04-15-10</b>	TITLE <b>MagJack® TAB UP SHIELDED 10/100/1000BT PATENTED</b>	PART NO. / DRAWING NO. <b>SI-51024-F</b>		STANDARD DIM. TOL. IN INCH		[ ] METRIC DIM. AS REFERENCE		<b>bel</b> COMPONENTS FOR A CONNECTED PLANET
			FILE NAME <b>SI-51024-F.DWG</b>		.X	/	UNIT : INCH [mm]	REV. : 01	
DRAWN BY <b>RS Zhang</b>	DATE <b>04-15-10</b>				.XX		SCALE : N/A	SIZE : A4	
					.XXX	±0.005		PAGE : 2	

THE INFORMATION CONTAINED HEREIN IS CONSIDERED "PROPRIETARY" TO BEL FUSE INC. AND SHALL NOT BE COPIED, REPRODUCED OR DISCLOSED WITHOUT THE WRITTEN APPROVAL OF BEL FUSE INC.

RoHS  
2002/95/EC



P.C.B. RECOMMENDED HOLE LAYOUT  
SEEN FROM COMPONENT SIDE  
ALL CENTERLINE DIMENSIONS ARE BASIC



NOTES:

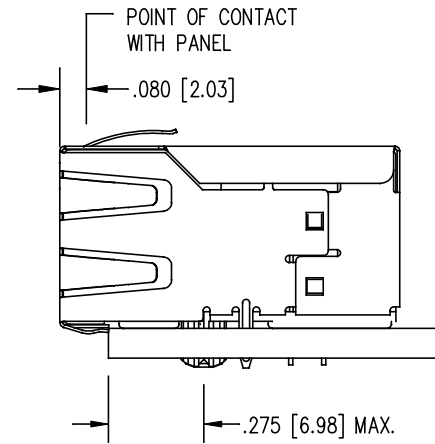
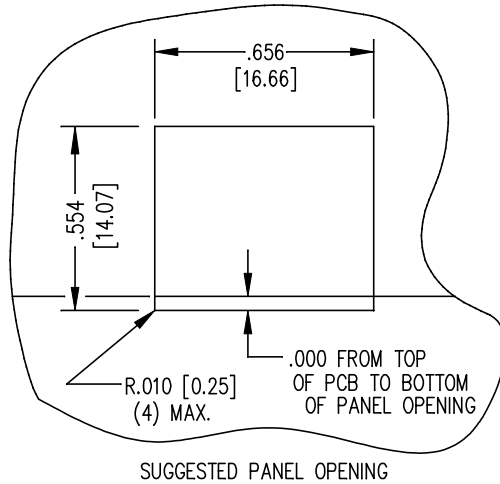
- CONNECTOR MATERIALS:  
HOUSING: THERMOPLASTIC UL94 V-0  
CONTACT/SHIELD: COPPER ALLOY  
SHIELD PLATING: NICKEL OR TIN  
CONTACT PLATING: SELECTIVE GOLD,  
50 MICRO-INCHES MIN. IN CONTACT AREA.
- PIN NOT ELECTRICALLY CONNECTED MAYBE OMITTED.  
SEE ELECTRICAL DRAWING FOR OMITTED PINS.
- TOLERANCES COMPLY WITH F.C.C. DIMENSION REQUIREMENTS.
- ALL TOLERANCES NOT OTHERWISE SPECIFIED TO BE ±.005 [0.13]
- WAVE SOLDER COMPATIBLE - PREHEAT 125°C/90SECS.  
HIGH TEMPERATURE REFLOW COMPATIBLE - 230°C/90 SEC MAX.

ORIGINATED BY	DATE	TITLE	PART NO. / DRAWING NO.	STANDARD DIM.	[ ] METRIC DIM. AS REFERENCE	
RS Zhang	04-15-10	<b>MagJack®</b> <b>TAB UP SHIELDED</b> <b>10/100/1000BT</b> <b>PATENTED</b>	SI-51024-F	TOL. IN INCH	UNIT : INCH [mm]	REV. : 01
DRAWN BY	DATE		FILE NAME	.X	SCALE : N/A	SIZE : A4
RS Zhang	04-15-10		SI-51024-F.DWG	.XX		PAGE : 3
			.XXX	±0.005		



THE INFORMATION CONTAINED HEREIN IS CONSIDERED "PROPRIETARY" TO BEL FUSE INC. AND SHALL NOT BE COPIED, REPRODUCED OR DISCLOSED WITHOUT THE WRITTEN APPROVAL OF BEL FUSE INC.

RoHS  
2002/95/EC



1. THE SUGGESTED PANEL OPENING IS INTENDED TO GIVE THE USER THE ABILITY TO HAVE REASONABLE JACK / PANEL CLEARANCES YET MAINTAIN RELIABLE GROUNDING CAPABILITY.
2. ALL TOLERANCES NOT OTHERWISE SPECIFIED TO BE  $\pm 0.005$  [0.13]

ORIGINATED BY	DATE	TITLE	PART NO. / DRAWING NO.	STANDARD DIM.	[ ] METRIC DIM. AS REFERENCE	
RS Zhang	04-15-10	<b>MagJack®</b> TAB UP SHIELDED 10/100/1000BT PATENTED	SI-51024-F	TOL. IN INCH	UNIT : INCH [mm]	REV. : 01
DRAWN BY	DATE		FILE NAME	.X	SCALE : N/A	SIZE : A4
RS Zhang	04-15-10		SI-51024-F.DWG	.XX		PAGE : 4
			.XXX	±0.005		

