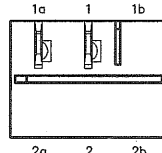
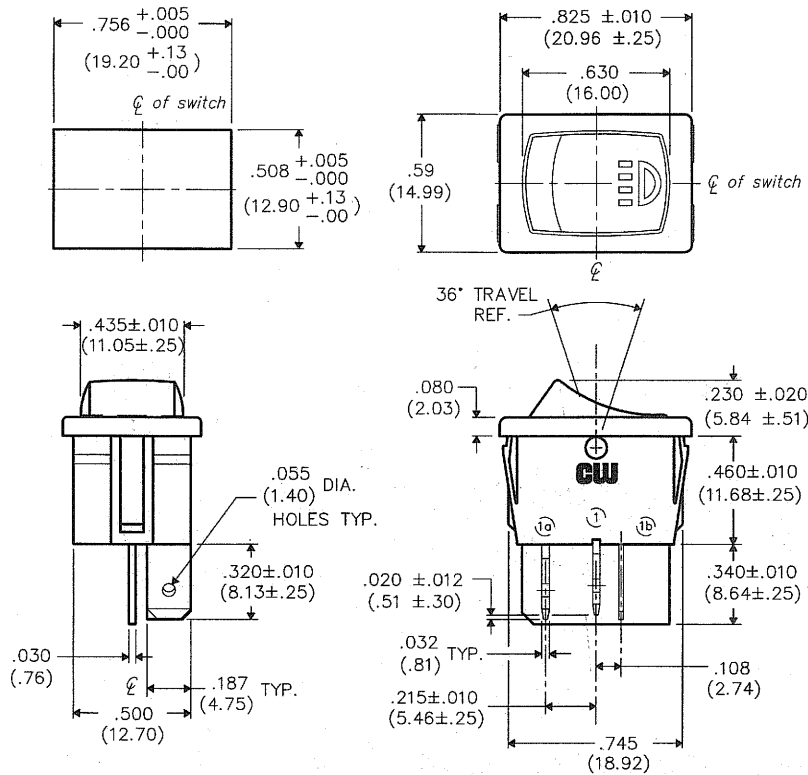


PANEL PIERCING



BOTTOM VIEW  
(RELOCATED)

PART NUMBER	HOUSING COLOR	BUTTON COLOR	CIRCUIT	RATING	UL & CSA
CW # - GRSV-4011-0134	BLACK BK-000	BLACK BK-000	SPST	8A 125V AC	APPROVED
ELECTROLUX # - 316448700B	EWC 7802	EWC 7802		4A 250V AC	
				3A 277V AC	
CW # - GRSV-4011-0135	WHITE WT-901	WHITE WT-901	SPST	8A 125V AC	APPROVED
ELECTROLUX # - 316448701B	EWC 7804	EWC 7804		4A 250V AC	
				3A 277V AC	
CW # - GRSV-4011-0136	BISQUE BN-129	BISQUE BN-129	SPST	8A 125V AC	APPROVED
ELECTROLUX # - 316448702B	EWC 7004	EWC 7004		4A 250V AC	
				3A 277V AC	

1	2	3	4	5	6	7	8	9	10																											
<p>B-FORMAT 2002</p> <p><b>REVISIONS</b></p> <table border="1" style="width: 100%; border-collapse: collapse;"> <tr> <td style="width: 50px;">0</td> <td style="width: 100px;">RELEASED</td> <td style="width: 100px;">8-22-2011</td> <td style="width: 50px;">1</td> </tr> <tr> <td colspan="4" style="text-align: center;"> </td> </tr> <tr> <td colspan="4">ADDED ELECTROLUX P/N'S TO CHART.</td> </tr> <tr> <td colspan="4">DWG 8-29-2011</td> </tr> <tr> <td colspan="4" style="text-align: center;"> <b>G.G. AUG 29 2011</b> </td> </tr> </table>		0	RELEASED	8-22-2011	1					ADDED ELECTROLUX P/N'S TO CHART.				DWG 8-29-2011				<b>G.G. AUG 29 2011</b>				<p><b>CW INDUSTRIES</b> Southampton, Pa. 18966</p> <p><small>TOLERANCES UNLESS OTHERWISE SPECIFIED</small></p> <table border="1" style="width: 100%; border-collapse: collapse;"> <tr> <td>2 Place Decimal ±.010</td> <td>METRIC</td> </tr> <tr> <td>3 Place Decimal ±.005</td> <td>1 Place Dec. ±.25mm</td> </tr> <tr> <td>Angles ..... ±1'</td> <td>2 Place Dec. ±.13mm</td> </tr> </table>					2 Place Decimal ±.010	METRIC	3 Place Decimal ±.005	1 Place Dec. ±.25mm	Angles ..... ±1'	2 Place Dec. ±.13mm	<p>Title: <b>LIGHT BULB SWITCH ASSEMBLY (POP IN) S.P.- S.T.</b></p>			
0	RELEASED	8-22-2011	1																																	
ADDED ELECTROLUX P/N'S TO CHART.																																				
DWG 8-29-2011																																				
<b>G.G. AUG 29 2011</b>																																				
2 Place Decimal ±.010	METRIC																																			
3 Place Decimal ±.005	1 Place Dec. ±.25mm																																			
Angles ..... ±1'	2 Place Dec. ±.13mm																																			
<p>Made for: CW IND.</p> <p>Drawn by: DGW 8-22-2011</p> <p>Checked by: <i>G. Guld 8-22-11</i></p> <p>Approval: <i>G. Guld 8-22-11</i></p>							<p>Division: <b>SWITCH</b></p> <p>Dwg. No. <b>GRSV-4011-0134 THRU -0136</b></p>																													

