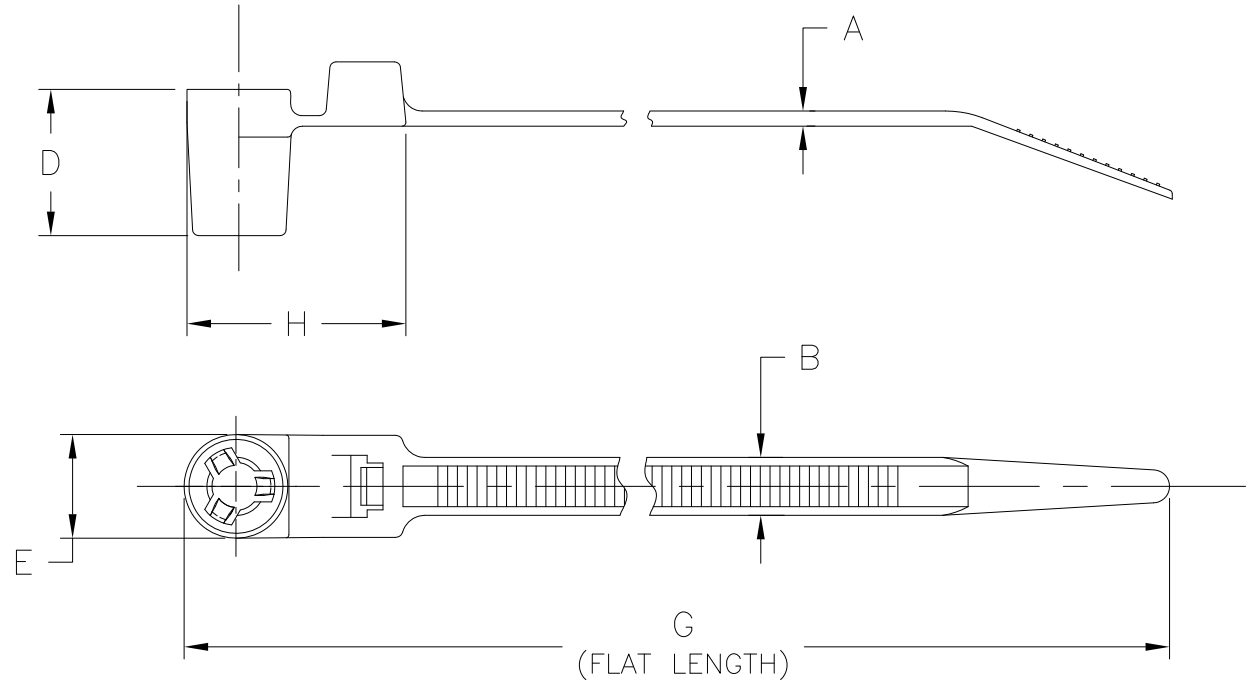


Revision level		Revision Record	Changed	Date	Approved	Date
part	drawing					
-	08	See ECN 012527	A.A.C.	12/09/13	K.A.C.	12/09/13



Type	Cable Range (mm)	Material	A	B	D	E	G	H	Min Loop Tensile Strength (N)
T120RSM	5 to 101	PA66HIRHSUV	1.8±0.2	7.6±0.2	19.5 ±0.5	13.7 ±0.5	410.0 ±5.0	28.2±0.5	535

SEE CHART

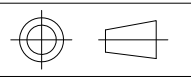
Material

Dimension tolerances unless otherwise specified
 .XXXX =
 .XXX =
 .XX =
 .X = NOTED
 < =

Dimension Units mm

PERFORMANCE SPECIFICATION

ACAD MECH
2013



Drawn K.A.C. 7/8/93
 Approved K.A.C. 12/09/13

Scale 1:1

Computer File Number
CT\CST\1041002_08

ALL PROPRIETARY RIGHTS IN THE SUBJECT MATTER SHOWN ON THIS DRAWING ARE EXCLUSIVE PROPERTY OF HELLERMANNNTYTON

HellermannTyton

7930 N. Faulkner Rd.
 Milwaukee, WI 53224
 Ph: (414) 355-1130
 Fx: (414) 362-8338

Title
T120RSM
1/4-20 UNC STUD MOUNT

Drawing-No
CT1041002CST

Format
 AH
 Sheet 1 of 1