


VS-BU-LH-3,6/18/3,8

Order No.: 1655454

<http://eshop.phoenixcontact.de/phoenix/treeViewClick.do?UID=1655454>

POWER contact, for D-SUB combination inserts, for PCB assembly,
socket, angled, rated current 40 A, gold-plated

Commercial data

GTIN (EAN)	 4 046356 029384
sales group	D502
Pack	30 pcs.
Customs tariff	85369010
Catalog page information	Page 325 (PC-2009)

Product notes

WEEE/RoHS-compliant since:
06/07/2006



[http://
www.download.phoenixcontact.com](http://www.download.phoenixcontact.com)
Please note that the data given
here has been taken from the
online catalog. For comprehensive
information and data, please refer
to the user documentation. The
General Terms and Conditions of
Use apply to Internet downloads.

Technical data**Mechanical characteristics**

Insertion/withdrawal cycles	≥ 500
Type of connection	PCB mounting

Insertion force per signal contact	≤ 7.00 N
Extraction force per signal contact	Approx. 5 N
Ambient temperature (operation)	-55 °C ... 155 °C

Material data

Contact material	Copper alloy
Contact surface material	Hard gold-plated over nickel

Electrical characteristics

Rated current	40 A
Insulation resistance	≥ 5 GΩ

Accessories

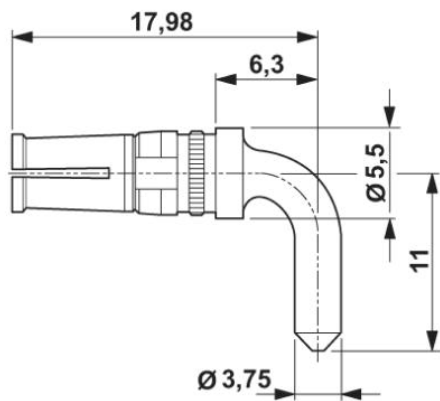
Item	Designation	Description
1676747	HC-M4-KOAX-EWZ	Contact removal tool for coaxial contacts

Tools

Diagrams/Drawings

Dimensioned drawing

D-SUB power contact socket



Address

PHOENIX CONTACT Deutschland GmbH
Flachmarktstr. 8
32825 Blomberg, Germany
Phone +49 5235 3 12000
Fax +49 5235 3 41200
<http://www.phoenixcontact.de>



© 2011 Phoenix Contact
Technical modifications reserved;