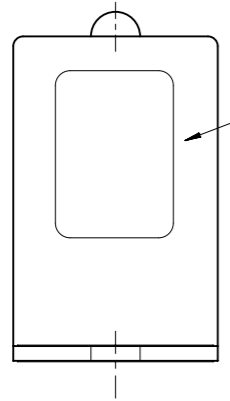


A 0 2 X X X

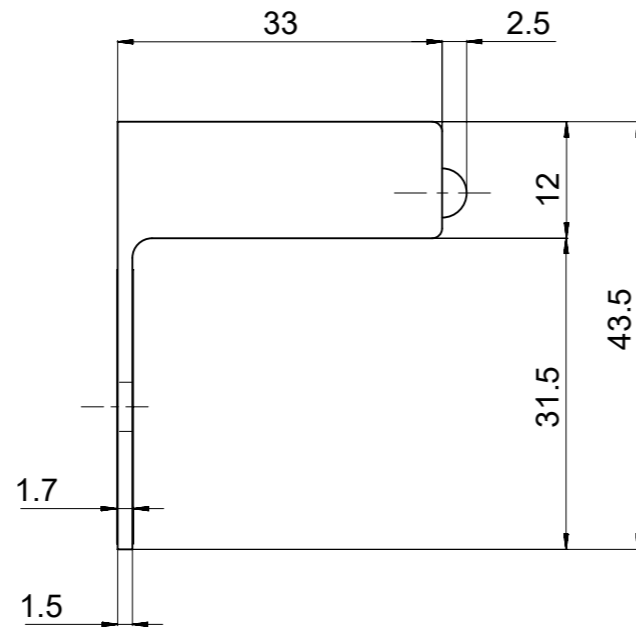
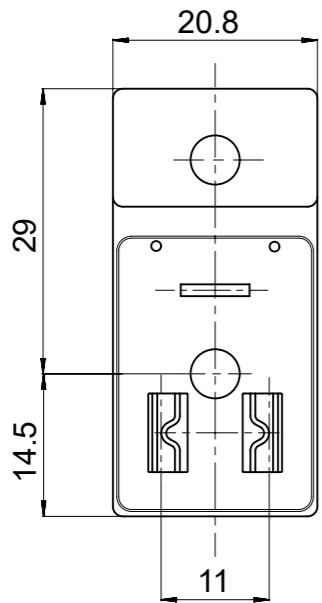
MOLEX PN	MPM PN
1210010036	A02A1B
1210010051	A02C45
1210010052	A02C4B
1210010056	A02C4H
1210010057	A02C4L
1210010067	A02G2H

RODZAJ POLACZENIA/INTERNAL CIRCUIT
 PATRZ SCHEMATY POLACZEN/WIRING CONFIGURATION
 NAPIECIE ORAZ KOLOR DIODY/VOLTAGE AND LED COLOUR:

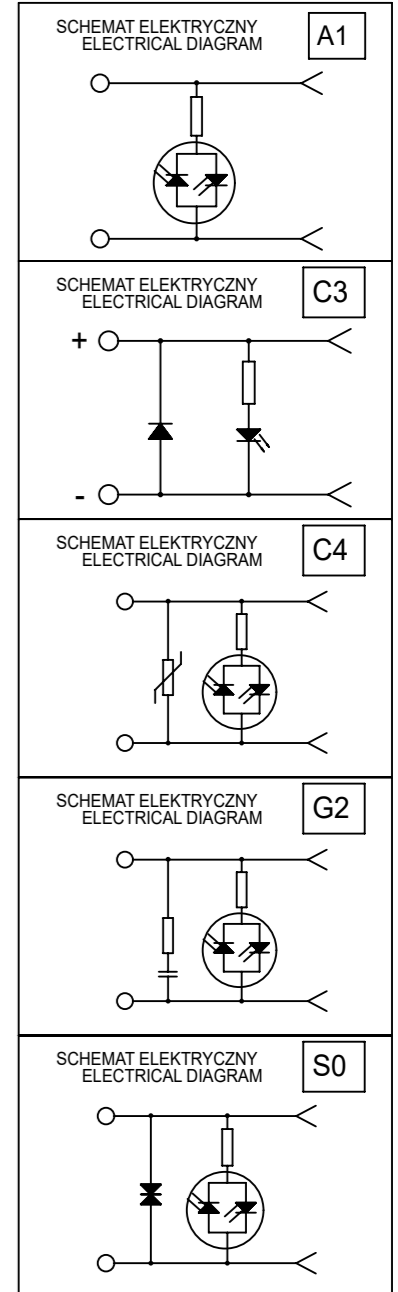
- | | | | | | |
|--------------------------------------------------|-----------------------------|--------------------------------------------------|------------------------------|--------------------------------------------------|-----------------------------|
| 1= 12V
2= 24V
3= 48V
4= 115V
5= 230V | } CZERWONA DIODA
RED LED | A= 12V
B= 24V
C= 48V
D= 115V
E= 230V | } ZIELONA DIODA
GREEN LED | G= 12V
H= 24V
K= 48V
L= 115V
M= 230V | } ZOLTA DIODA
YELLOW LED |
|--------------------------------------------------|-----------------------------|--------------------------------------------------|------------------------------|--------------------------------------------------|-----------------------------|



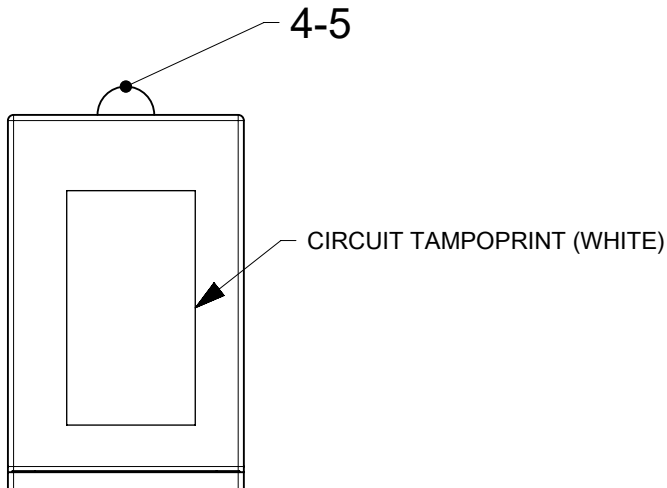
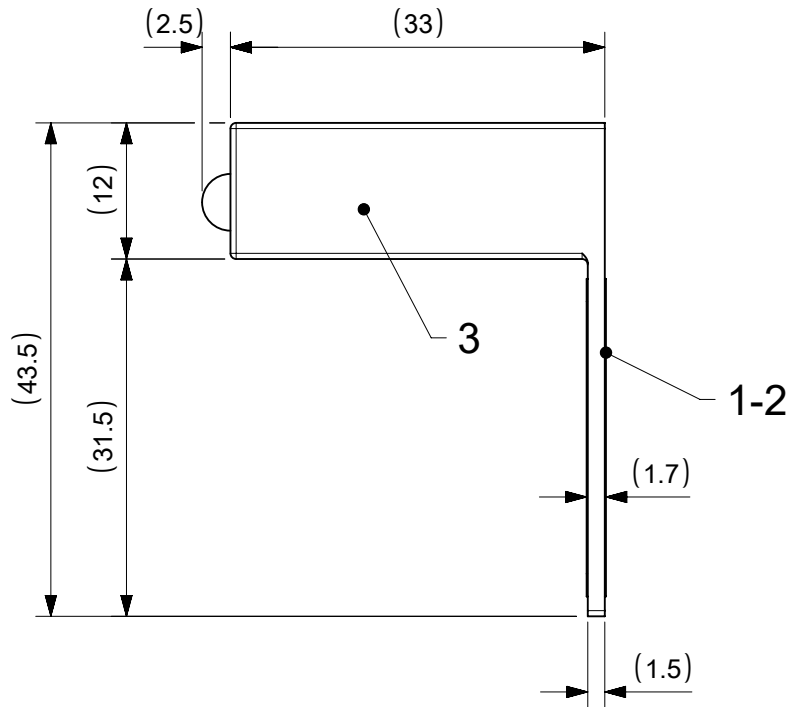
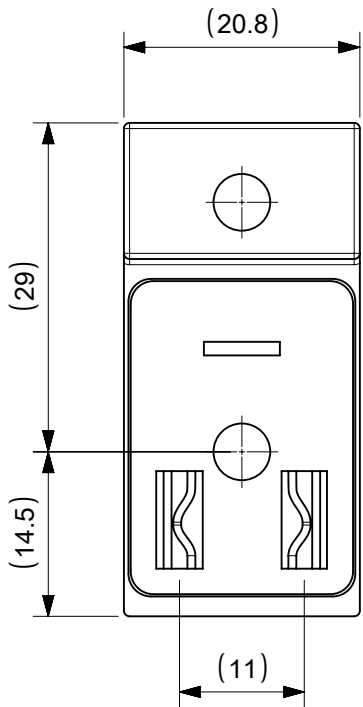
TAMPONADRUK SCHEMATU (BIALY)
 CIRCUIT PRINTOUT (WHITE)



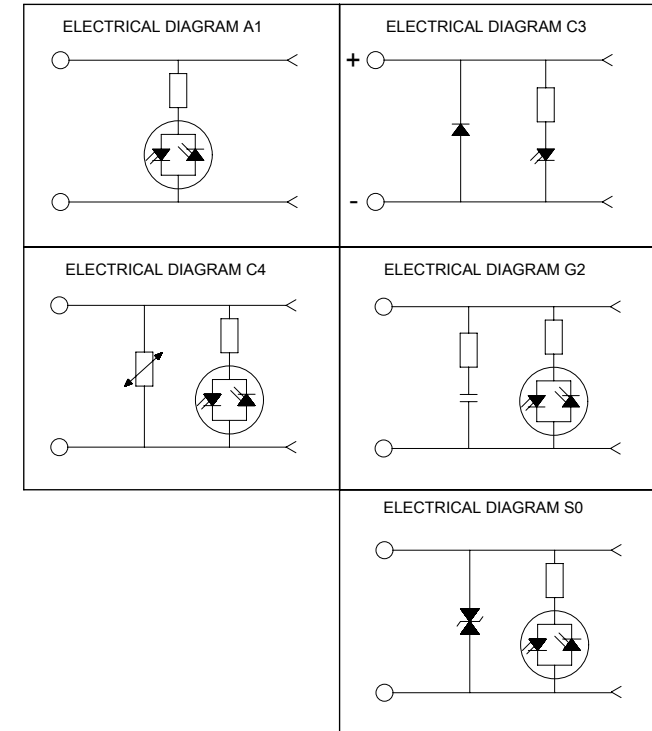
SCHEMATY POLACZEN
 /WIRING CONFIGURATION



THIS DRAWING CONTAINS INFORMATION THAT IS PROPRIETARY TO MOLEX ELECTRONIC TECHNOLOGIES, LLC AND SHOULD NOT BE USED WITHOUT WRITTEN PERMISSION															
DIMENSION UNITS		SCALE		CURRENT REV DESC: REMOVED OBSOLETE PART NUMBERS AS PER PCN#511691.											
MM		NTS													
GENERAL TOLERANCES (UNLESS SPECIFIED)															
				MPM A02 ADAPTORS											
4 PLACES		±		EC NO: 737858 DRWN: SANTHN 2023/02/08 CHK'D: GGA 2023/02/24 APPR: GGA 2023/02/24											
3 PLACES		±													
2 PLACES		±		PRODUCT CUSTOMER DRAWING											
1 PLACE		±													
0 PLACES		±		INITIAL REVISION:				DOCUMENT NUMBER							
ANGULAR TOL		± °		DRWN: MLEVYTSKYY 2009/05/05				A02XXX							
				APPR: MWOLSZCZAK 2009/05/05				PSD		001		A1			
DRAFT WHERE APPLICABLE MUST REMAIN WITHIN DIMENSIONS				THIRD ANGLE PROJECTION		DRAWING		SERIES		MATERIAL NUMBER		CUSTOMER		SHEET NUMBER	
						A3-SIZE		121001		SEE TABLE		GENERAL MARKET		1 OF 1	



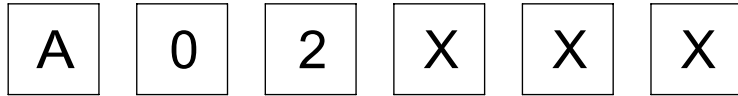
WIRING CONFIGURATION



THIS DRAWING CONTAINS INFORMATION THAT IS PROPRIETARY TO MOLEX ELECTRONIC TECHNOLOGIES, LLC AND SHOULD NOT BE USED WITHOUT WRITTEN PERMISSION										
DIMENSION UNITS	SCALE	CURRENT REV DESC: REMOVED OBSOLETE PART NUMBER AS PER PCN#511691.								
mm	3:2	<p style="text-align: center;">LIGHT ADAPTORS SERIES A02XXX FOR DIN INDUSTRIAL</p> <p style="text-align: center;">PRODUCT CUSTOMER DRAWING</p>								
GENERAL TOLERANCES (UNLESS SPECIFIED)										
ANGULAR TOL	± °	EC NO: 737858		2023/02/10		DOCUMENT NUMBER		DOC TYPE	DOC PART	REVISION
4 PLACES	±	DRWN: SANTHN		2023/02/24		SD-121001-002		PSD	001	A2
3 PLACES	±	CHK'D: GGA		2023/02/24		MATERIAL NUMBER		CUSTOMER		
2 PLACES	±	APPR: GGA		2023/02/24		SEE PART LIST		GENERAL MARKET		
1 PLACE	±	INITIAL REVISION:		2013/02/08		SERIES		SHEET NUMBER		
0 PLACES	±	DRWN: JMARSZALEK		2013/02/12		A4-SIZE		121001		
DRAFT WHERE APPLICABLE MUST REMAIN WITHIN DIMENSIONS		THIRD ANGLE PROJECTION		DRAWING		MATERIAL NUMBER		CUSTOMER		
						SEE PART LIST		GENERAL MARKET		

DOCUMENT STATUS	P1	RELEASE DATE	2023/02/24	09:13:38
-----------------	----	--------------	------------	----------

PART No MATRIX



INTERNAL CIRCUIT

VOLTAGE AND LED COLOR

1= 12V	A= 12V	G= 12V
2= 24V	B= 24V	H= 24V
3= 48V	C= 48V	K= 48V
4= 115V	D= 115V	L= 115V
5= 230V	E= 230V	M= 230V

RED LED GREEN LED YELLOW LED

PART LIST

MOLEX PN	ENG. NO	CIRCUIT TYPE	LED COLOR
1210010036	A02A1B	A1 24V	GREEN
1210010050	A02C44	C4 115V	RED
1210010051	A02C45	C4 230V	RED
1210010052	A02C4B	C4 24V	GREEN
1210010056	A02C4H	C4 24V	YELLOW
1210010057	A02C4L	C4 115V	YELLOW
1210010067	A02G2H	G2 24V	YELLOW

ITEM	QTY	DESCRIPTION	MATERIAL	FINISH/COLOR
5	1	DISTANZIALE LED	-	-
4	1	PCB WITH COMPONENT	-	SEE PART LIST
3	1	CORPO STAMPATO	-	BLACK
2	-	EPOXY ER2188K5K	-	BLACK
1	-	EPOXY ER2188B	-	BLACK

DOCUMENT STATUS	P1	RELEASE DATE	2023/02/24	09:13:38
-----------------	----	--------------	------------	----------

THIS DRAWING CONTAINS INFORMATION THAT IS PROPRIETARY TO MOLEX ELECTRONIC TECHNOLOGIES, LLC AND SHOULD NOT BE USED WITHOUT WRITTEN PERMISSION

DIMENSION UNITS	SCALE	CURRENT REV DESC: REMOVED OBSOLETE PART NUMBER AS PER PCN#511691.		
mm	1:1	<p>molex</p> <p>LIGHT ADAPTORS SERIES A02XXX FOR DIN INDUSTRIAL</p> <p>PRODUCT CUSTOMER DRAWING</p>		
GENERAL TOLERANCES (UNLESS SPECIFIED)				
ANGULAR TOL	± °			
4 PLACES	±			
3 PLACES	±	EC NO: 737858	2023/02/10	
2 PLACES	±	DRWN: SANTHN	2023/02/24	
1 PLACE	±	CHK'D: GGA	2023/02/24	
0 PLACES	±	APPR: GGA	2023/02/24	
DRAFT WHERE APPLICABLE MUST REMAIN WITHIN DIMENSIONS		INITIAL REVISION:		DOCUMENT NUMBER
THIRD ANGLE PROJECTION		DRWN: JMARSZALEK	2013/02/08	SD-121001-002
DRAWING		APPR: MIWASIECZKO	2013/02/12	PSD
SERIES		MATERIAL NUMBER		DOC PART
A4-SIZE		SEE PART LIST		001
121001		CUSTOMER		REVISION
		GENERAL MARKET		A2
		SHEET NUMBER		
				2 OF 2