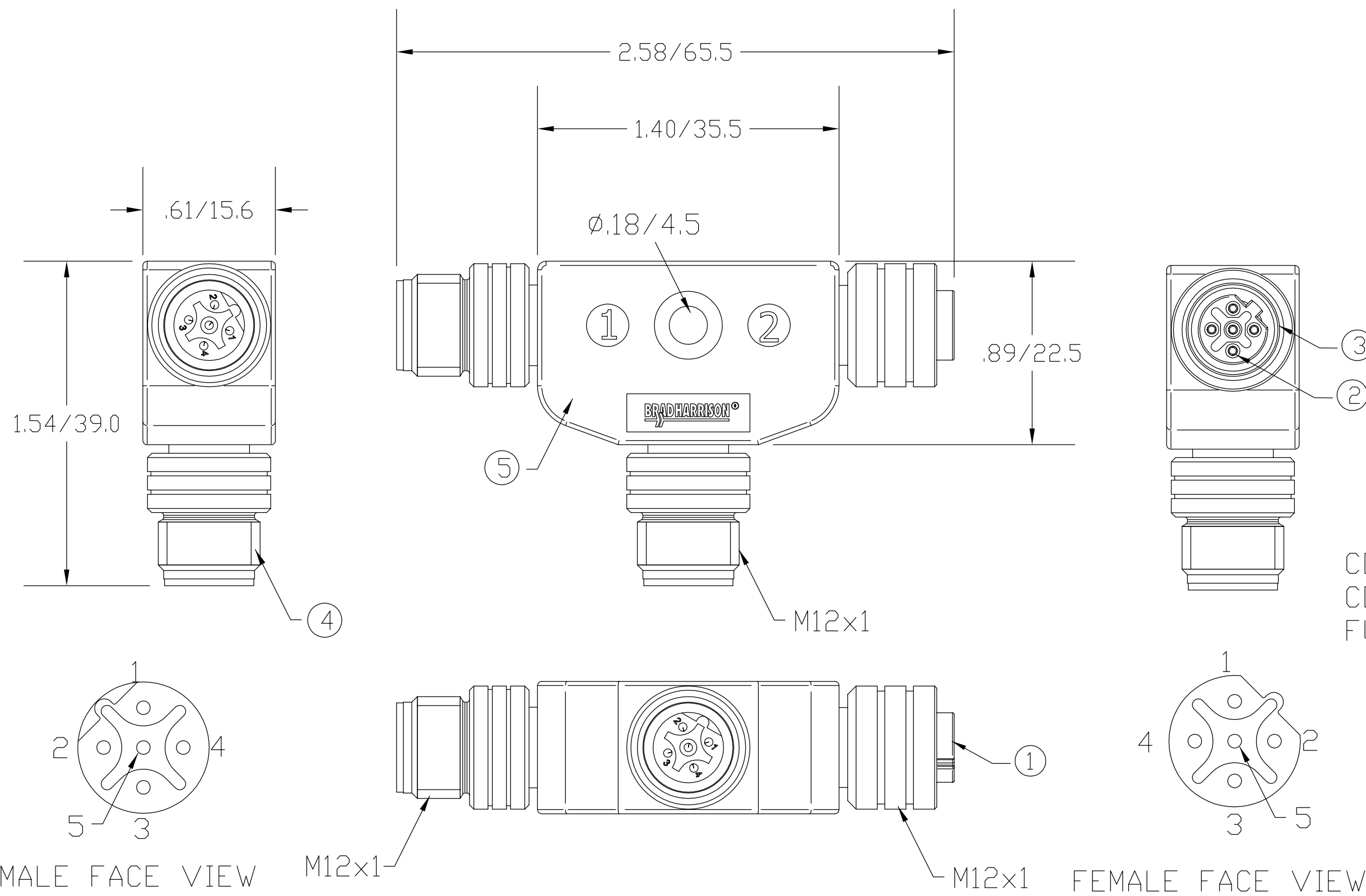
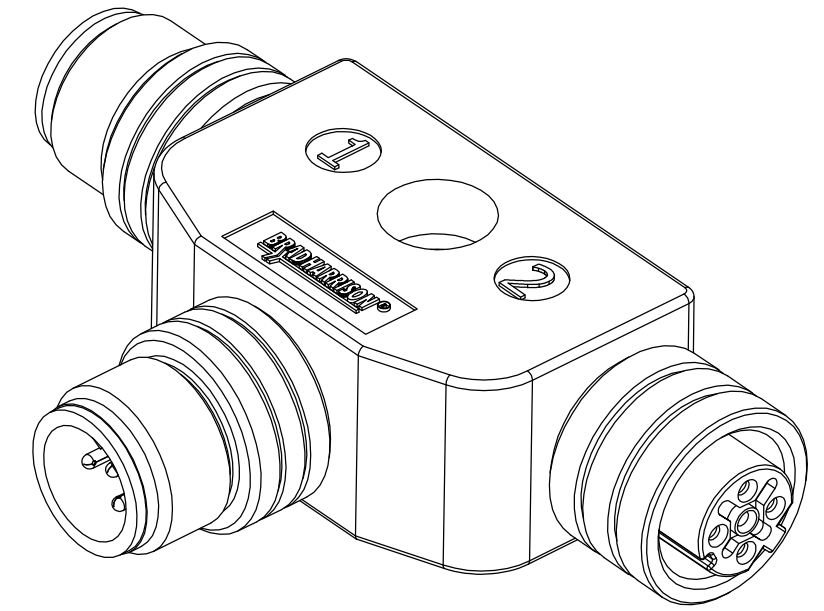
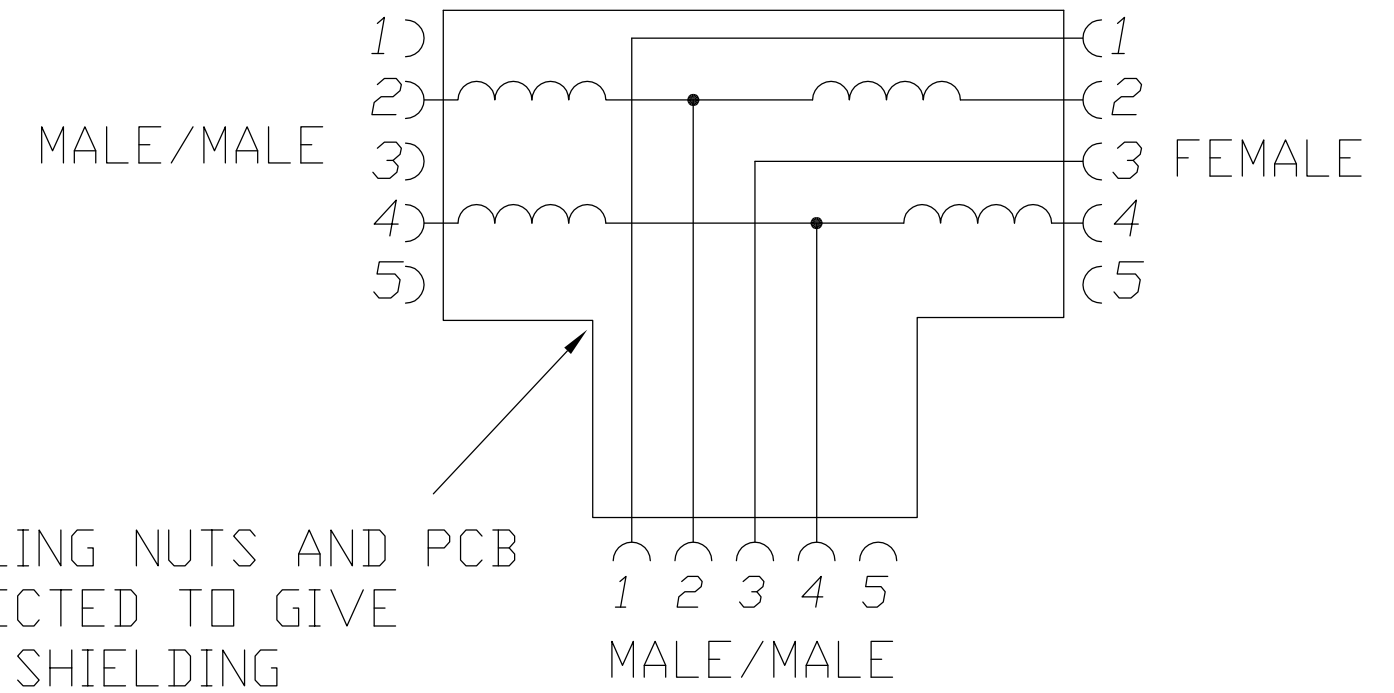


MATERIAL NUMBER	OLD PART NUMBER
120101-0002	PDTS01



WIRING DIAGRAM



COUPLING NUTS AND PCB CONNECTED TO GIVE FULL SHIELDING

VOLTAGE RATING	30 VAC/ 30 VDC
AMPERAGE RATING	4 AMPS
PROTECTION	IP67
OPERATING TEMPERATURE	-20°C TO 80°C

ITEM	COMPONENT	MATERIAL	FINISH
1	INSERT	NYLON 6/6	BLACK
2	CONTACTS	COPPER ALLOY	GOLD OVER NICKEL
3	O-RING	VITON	RED
4	COUPLING NUT	BRASS	NICKEL PLATED
5	OVERMOLD	POLYURETHANE	YELLOW

RLSO DRAWING EC NO: WNA2009-0614 DRWN: BWOODMAN 3/20/09 CH'KD: JM APPR: JFMURPHY 2009/04/01	QUALITY SYMBOL	GENERAL TOLERANCES (UNLESS SPECIFIED)	DIMENSION STYLE	SCALE	DESIGN UNITS	THIRD ANGLE PROJECTION														
	$\nabla=0$ $\sphericalangle=0$	<table border="1"> <tr> <th></th> <th>mm</th> <th>INCH</th> </tr> <tr> <td>4 PLACES</td> <td>±----</td> <td>±----</td> </tr> <tr> <td>3 PLACES</td> <td>±----</td> <td>±----</td> </tr> <tr> <td>2 PLACES</td> <td>±----</td> <td>±.01</td> </tr> <tr> <td>1 PLACE</td> <td>±0.3</td> <td>±----</td> </tr> </table>		mm	INCH		4 PLACES	±----	±----	3 PLACES	±----	±----	2 PLACES	±----	±.01	1 PLACE	±0.3	±----	IN/MM	----
		mm	INCH																	
	4 PLACES	±----	±----																	
3 PLACES	±----	±----																		
2 PLACES	±----	±.01																		
1 PLACE	±0.3	±----																		
REV	DESCRIPTION	DRAFT WHERE APPLICABLE MUST REMAIN WITHIN DIMENSIONS	DRAWN BY: BW DATE: 2009/03/20 CHECKED BY: VO DATE: 2009/03/20 APPROVED BY:	TITLE: M12 PROFIBUS TEE SHIELDED																
A			SEE CHART	MOLEX INCORPORATED		SHEET NO. 1 OF 1														
			SIZE C	THIS DRAWING CONTAINS INFORMATION THAT IS PROPRIETARY TO MOLEX INCORPORATED AND SHOULD NOT BE USED WITHOUT WRITTEN PERMISSION																