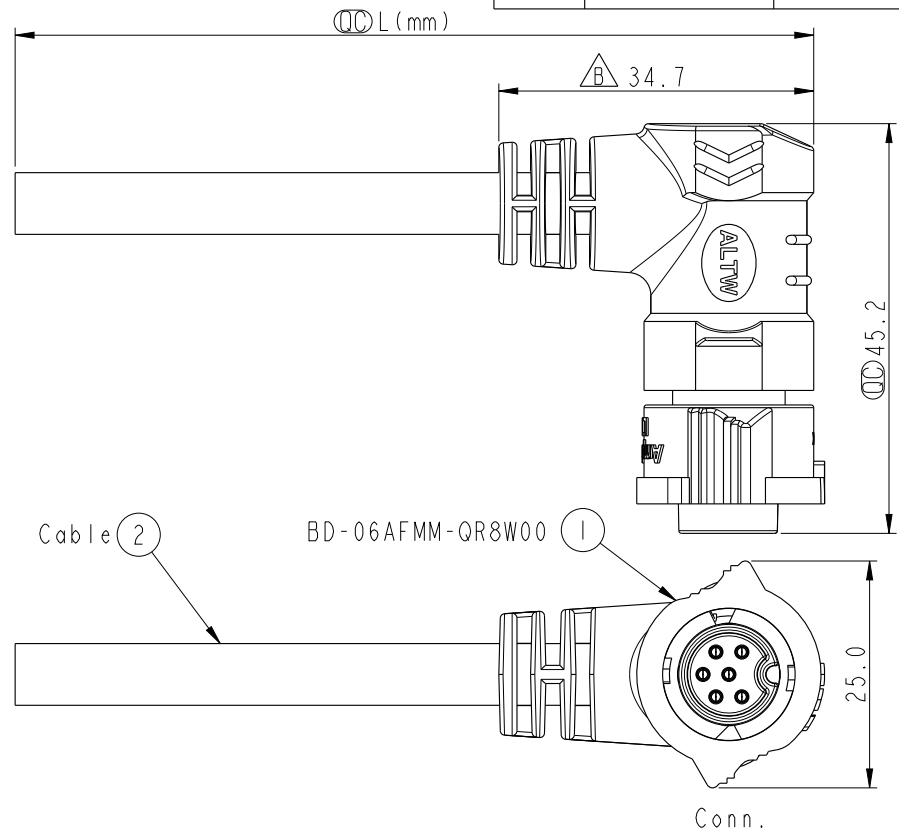


THIS DOCUMENT IS SUBJECT TO CHANGE WITHOUT NOTICE. IT IS CONFIDENTIAL AND A PROPERTY OF AMPHENOL LTW. DISCLOSURE TO THIRD PARTY HAS TO BE AUTHORIZED BY AMPHENOL LTW.

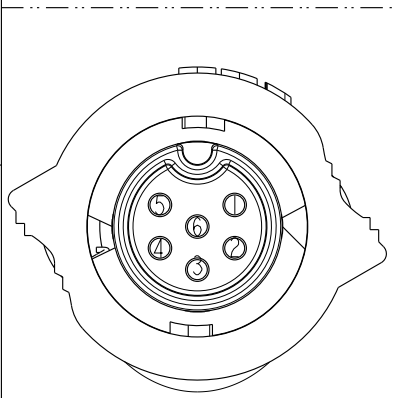
REV.	ECN NO.	DATE	SIGN	DESCRIPTION
B	LEN1720237	2017-02-15	Frank Deng	Change dimension from 34.0 to 34.7



BD-06AFMM-QR8DXX

XX : 01~99Meters  
 01 : 01Meter  
 02 : 02Meters  
 ...  
 99 : 99Meters

Cable Length(L): 01~99Meters



Pin Assignments Front View

6	Green	綠
5	Yellow	黃
4	Orange	橙
3	Red	紅
2	Brown	棕
1	Black	黑
Conn.	Wire Color	
Pin Out		



Note:

- \*  $\varnothing$  Important Dimension To Check.
- \* Waterproof Rate: IP68(Mated)
- \* Working Voltage Rating: AC 300 V
- \* Working Current Rating: 5A
- \* Flame Class: UL94V-0 (UV Resistance)
- \* Housing: Nylon+GF, Black.
- \* Male Pin: Copper Alloy, Gold Plated.
- \* Rubber: Silicone, Gray
- \* Cable: UL21388 20AWG\*6C+AL+My  
PVC Jacket UV Resistant, OD=6.8, Black.
- \* Cable Length Tolerance: 01M±:40mm  
 02M~05M:±60mm  
 06M~10M:±100mm  
 11M~30M:±200mm  
 31M~99M:±500mm

UNIT:mm		
TOLERANCE X	±0.5	

TITLE X-Lok B-Size Molding F Conn M 6 Pin			
SCALE 6:5	SIZE A4	SHEET 1 OF 1	
REV. B	WC-REV. A.1	$\varnothing$ : Inspection item	

**Amphenol LTW**  
 安費諾亮泰企業股份有限公司

ITEM NO	DRAWN BY Frank Deng	DATE 2017-02-15
DWG NO BD-06AFMM-QR8DXX	CHECKED BY Spring Liu	DATE 2017-02-15
CUSTOMER ALTW	APPROVED BY Kevin Hu	DATE 2017-02-15