

All dimensions are in mm; tolerances according to ISO 2768 m-H

**Interface**

According to SMA IEC 169-15  
15K101-40M

**Material and plating**

**Connector parts**

Center contact  
Outer contact  
Outer contact  
Insulator

**Material**

Beryllium copper  
Brass  
Beryllium copper  
PTFE

**Plating**

Gold, min. 0.8 µm, over chemical nickel  
Gold, min. 0.8 µm, over chemical nickel  
Gold, min. 0.8 µm, over chemical nickel

**Electrical data**

Impedance 50 Ω  
Frequency DC to 6 GHz  
Return loss ≤ -21 dB, DC to 2 GHz  
≤ -17 dB, 2 to 4 GHz  
≤ -15 dB, 4 to 6 GHz

Dieses Dokument ist urheberrechtlich geschützt • This document is protected by copyright • Rosenberger Hochfrequenztechnik GmbH & Co. KG

RF\_35/09.14/6.2

Insulation resistance	$\geq 0.5 \times 10^3 \text{ M}\Omega$
Center contact resistance	$\leq 50 \text{ m}\Omega$
Outer contact resistance	$\leq 50 \text{ m}\Omega$
Working voltage	4 V

**Mechanical data**

Mating form	Snap-on
Mating cycles	> 10,000
Mating force	< 6N
Unmating force	> 7N

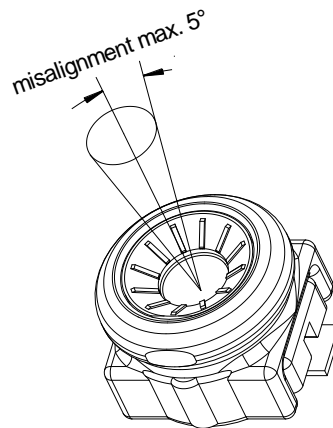
**Environmental data**

Temperature range	-40°C to +90°C
RoHS	compliant

**Mating and un-mating**

For the reliable mating and un-mating follow the precautions :

1. The vertical mating axis of the PCB receptacle and the adapter has to be aligned during the connecting and a hearable click will confirm that the connectors are mated correctly.
2. The disconnection of the 2 connectors is carried out by vertical pulling of the adapter.
3. The connectors should not be mated under an extreme angle.
4. The mating force should be in the limits  $5 \text{ N} \leq F \leq 10 \text{ N}$



**Packing**

Standard	1 pcs in plastic bag
Weight	2.65 g/pce

While the information has been carefully compiled to the best of our knowledge, nothing is intended as representation or warranty on our part and no statement herein shall be construed as recommendation to infringe existing patents. In the effort to improve our products, we reserve the right to make changes judged to be necessary.

Draft	Date	Approved	Date	Rev.	Engineering change number	Name	Date
Michelmann Folke	17.01.06	C. Kainzmaier	07.06.18	d00	18-0940	M. Margardt	07.06.18

Rosenberger Hochfrequenztechnik GmbH & Co. KG P.O.Box 1260 D-84526 Tittmoning Germany <a href="http://www.rosenberger.de">www.rosenberger.de</a>					Tel. : +49 8684 18-0 Email : <a href="mailto:info@rosenberger.de">info@rosenberger.de</a>		Page 2 / 2
--	--	--	--	--	--	--	---------------