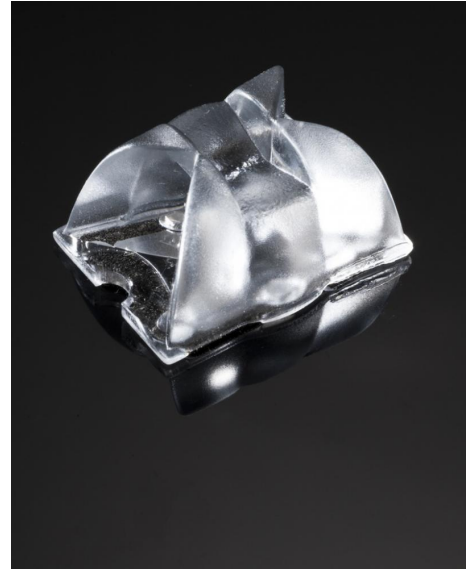


DETAILS

Product Number	C13471_STRADA-A2
Family	Strada
Type	Lens
Color	clear
Diameter	19,6 +15,4 mm
Height	10,5 mm
Style	rectang
Optic Material	PMMA
Holder Material	
Fastening	glue, pin
Status	production ready
ROHS Compliant	Yes
Date Updated	2/02/2016



OPTICAL PROPERTIES

LED	Viewing Angle	Light Beam	Efficiency	cd/lm	Connector
XT-E	154+38 deg	Streetligh...	91 %	0.900	-
XP-G2	142+40 deg	Streetligh...	91 %	1.000	-
LH351Z	136+39 deg	Streetligh...	93 %	1.000	-

D

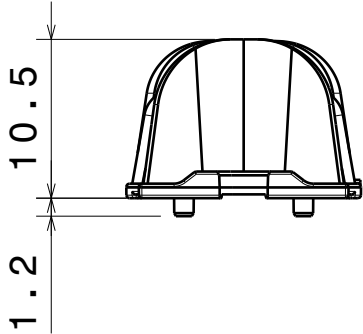
C

B

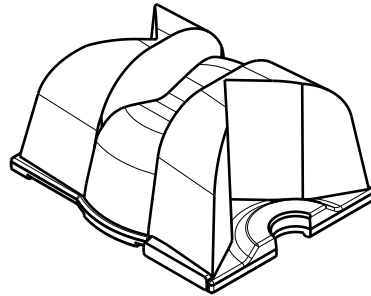
A

4

4



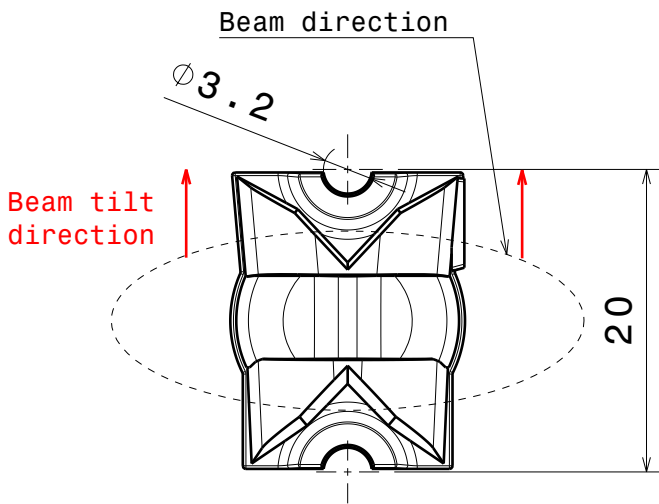
Front view



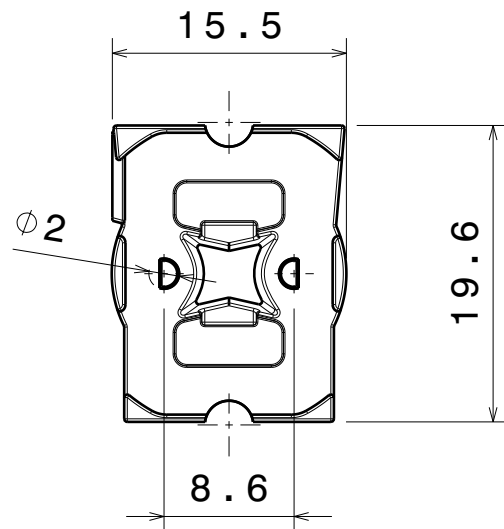
Isometric view
Scale: 2:1

3

3



Top View



Bottom view

2

2

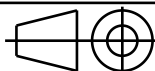
INDEX	PART NO	DESCRIPTION	MATERIAL	COLOUR
1	C13471	STRADA-A2	PMMA	

Tolerances if not otherwise shown
According to DIN ISO 2768-1
Linear measures:
up to 30mm class M, otherwise class C
According to DIN ISO 2768-2
Form and position: class L

LEDiL

Ledil Oy
Salorankatu 10
FIN 24240 SALO
Finland

THIRD ANGLE PROJECTION:



DRAWING TITLE

STRADA-A2 datasheet

This drawing is the property
of LEDiL Oy. It may not be
reproduced, copied or
communicated without a written
agreement with LEDiL Oy.

SIZE PART NUMBER

A4

C13471

SCALE 2:1 WEIGHT 1,7 g SHEET 1/1

1

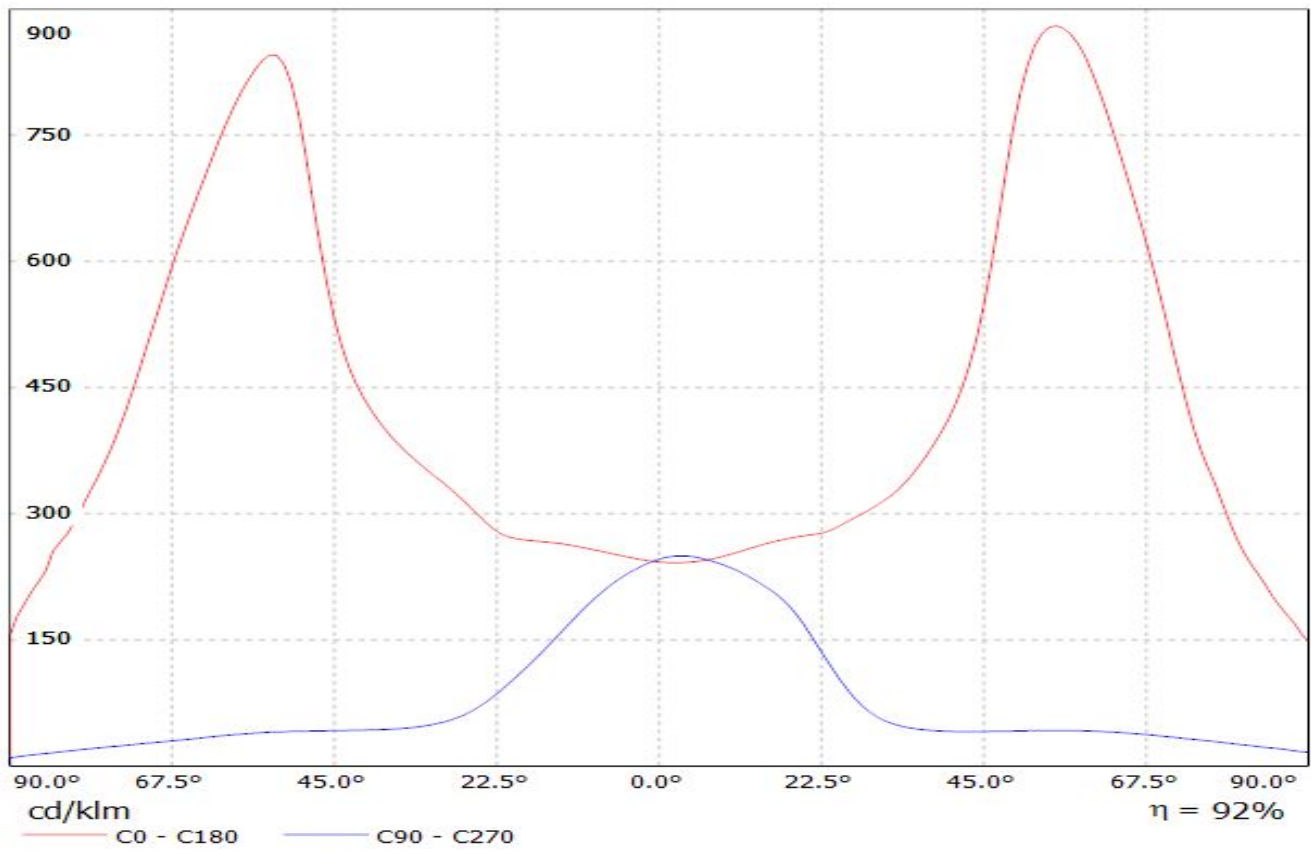
1

D

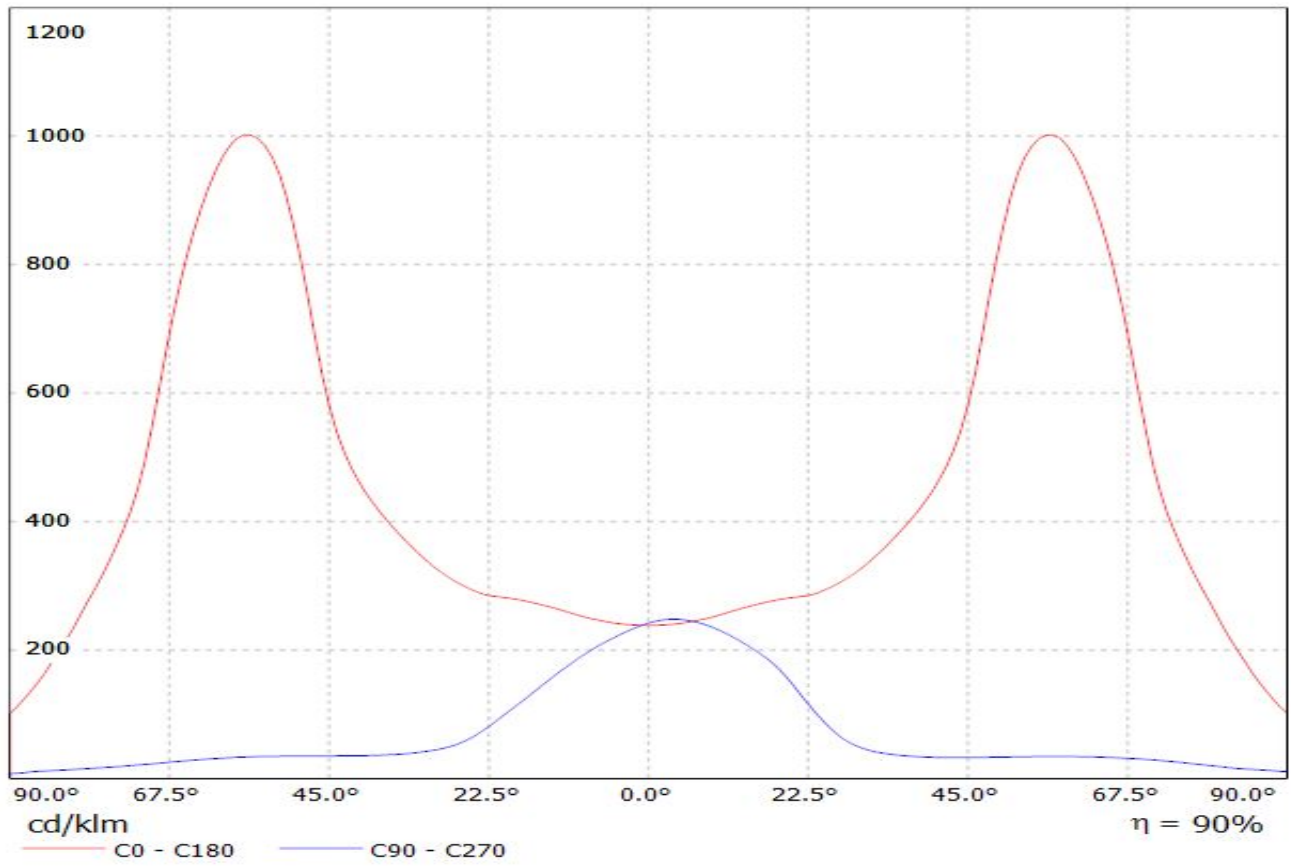
A

Luminaire: LEDiL Oy C13471_STRADA-A2_(XT-E) Eff.92.1%

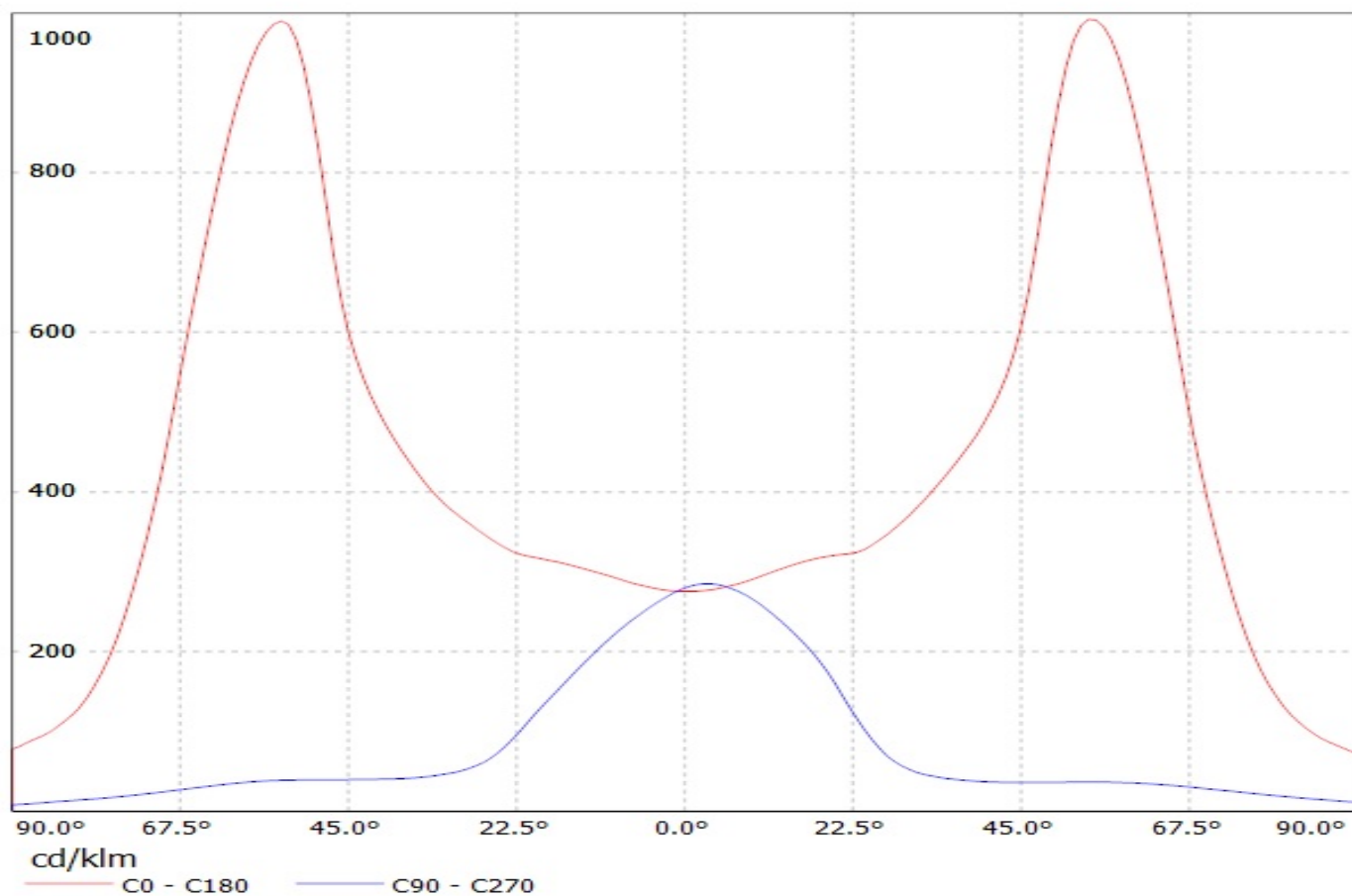
Lamps: 1 x CREE_XT-E_(XTEAWT-00-0000-00000HBE8)_73.4928lm@250mA_P=0.781012W_I=249.9mA



Luminaire: LEDiL Oy C13471_STRADA-A2_(XP-G2)
Lamps: 1 x Cree XP-G2 102lm@250mA CCT:4934K P:0.757W

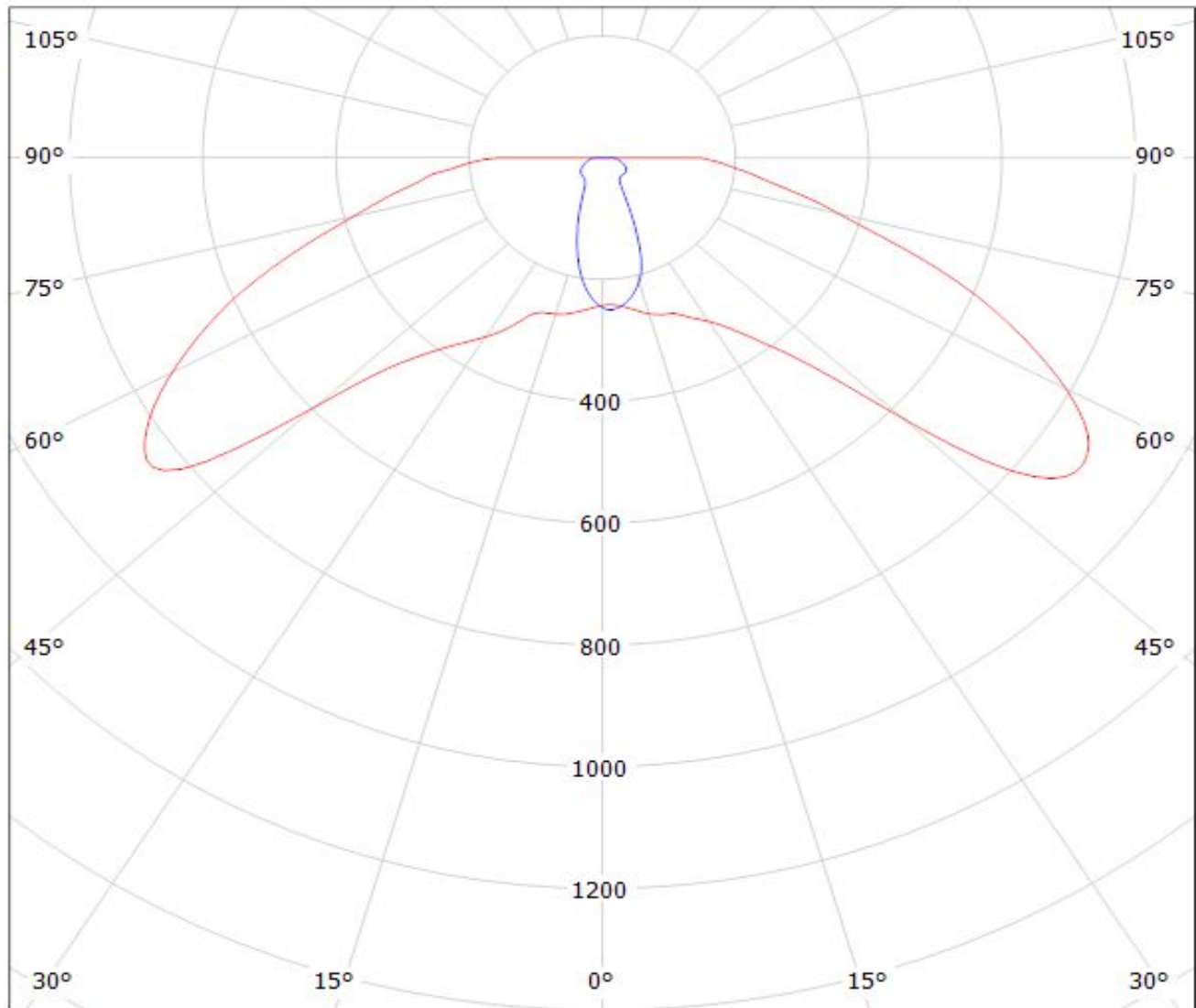


Luminaire: LEDiL Oy C13471_STRADA-A2 (LH351Z) Eff.92.7%
Lamps: 1 x SAMSUNG_LH351Z_90.238lm@250mA_P=0.747026W_I=249.9mA



Luminaire: LEDiL Oy C13471_STRADA-A2_(XT-E) Eff.92.1%

Lamps: 1 x CREE_XT-E_(XTEAWT-00-0000-00000HBE8)_73.4928lm@250mA_P=0.781012W_I=249.9mA



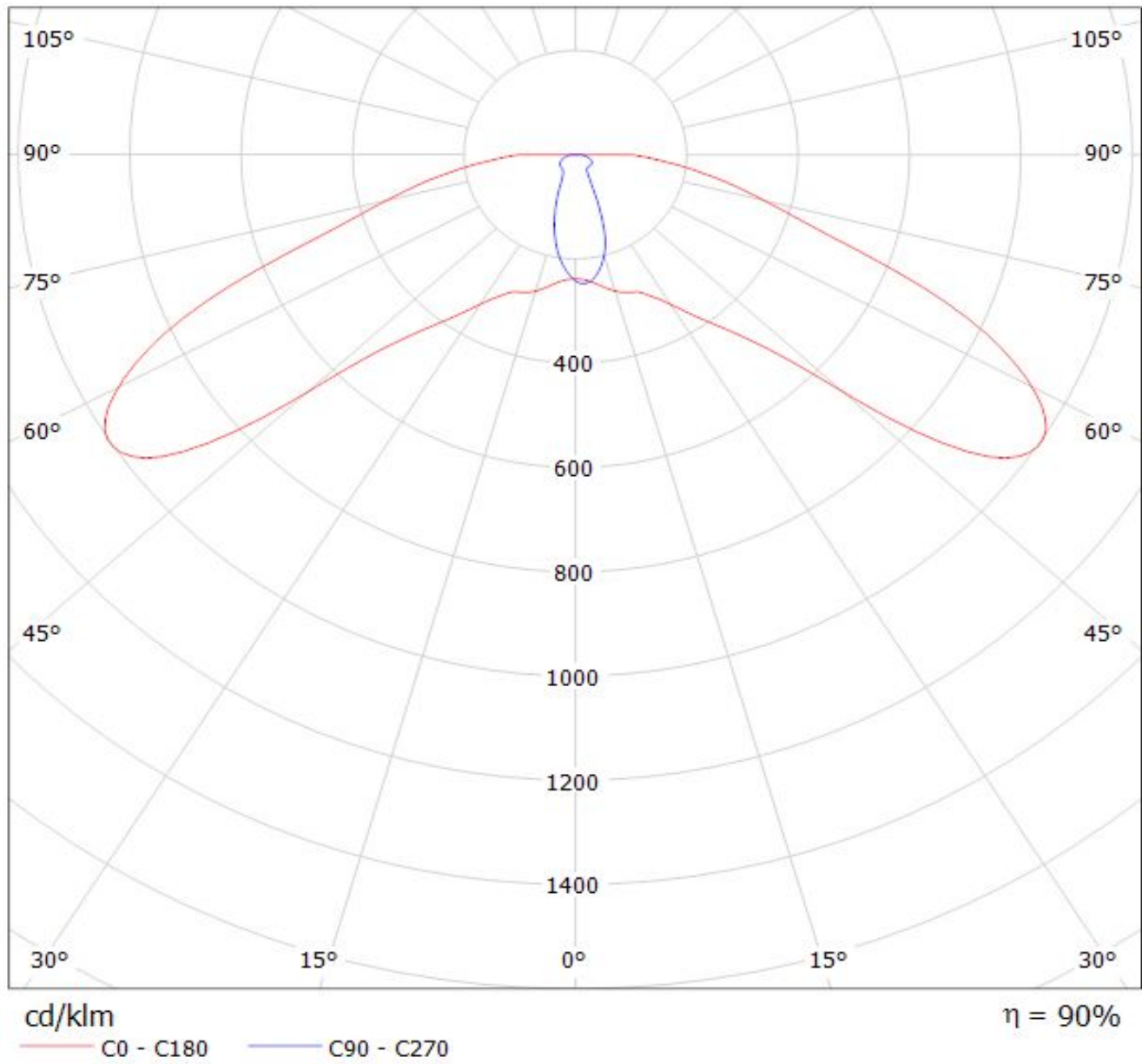
cd/klm

— C0 - C180

— C90 - C270

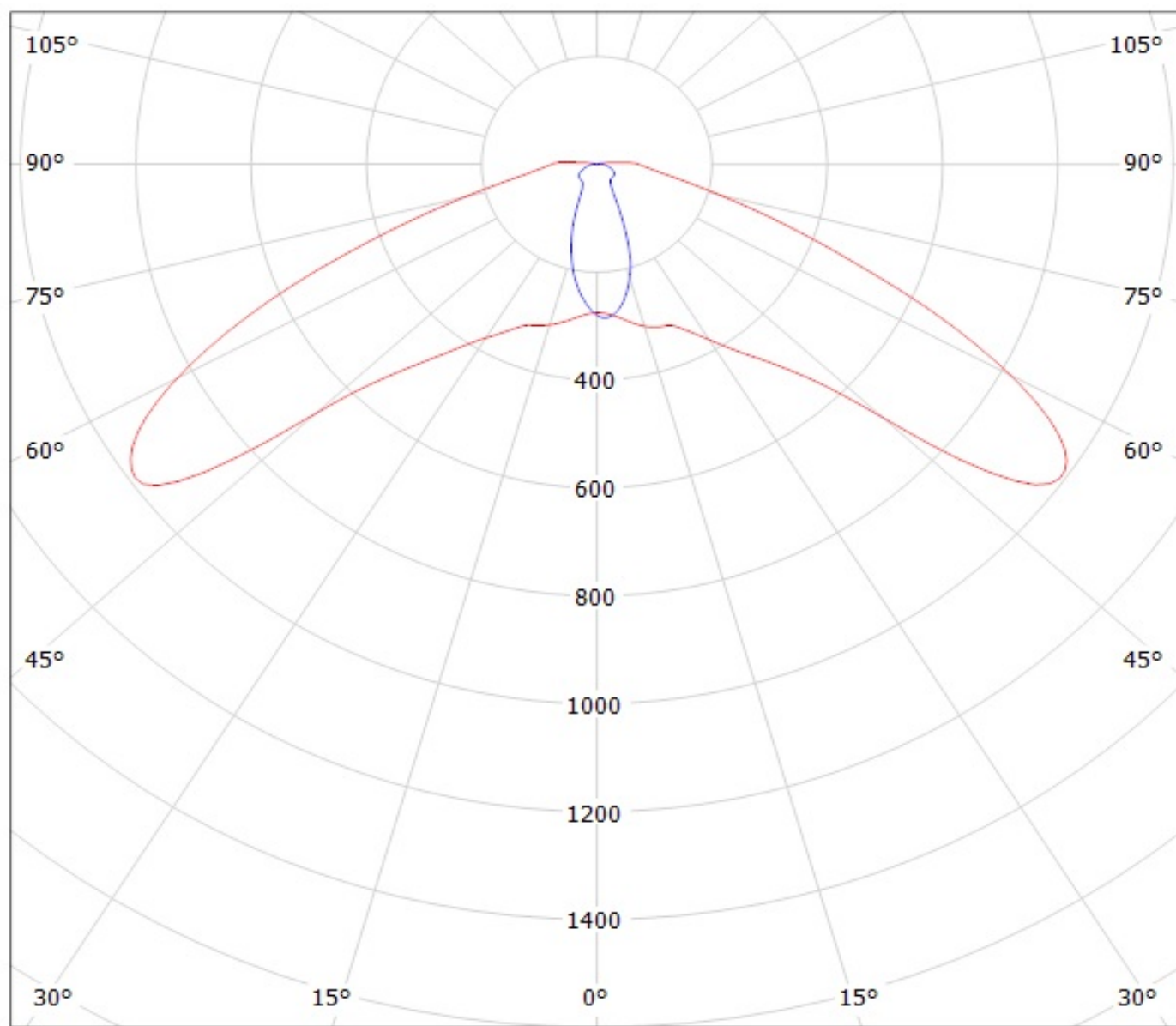
$\eta = 92\%$

Luminaire: LEDiL Oy C13471_STRADA-A2_(XP-G2)
Lamps: 1 x Cree XP-G2 102lm@250mA CCT:4934K P:0.757W



Luminaire: LEDiL Oy C13471_STRADA-A2_(LH351Z) Eff.92.7%

Lamps: 1 x SAMSUNG_LH351Z_90.238lm@250mA_P=0.747026W_I=249.9mA



cd/klm

— C0 - C180

— C90 - C270

NOTE: The typical divergence will be changed by different color, chip size and chip position tolerance. The typical total divergence is the full angle measured where the luminous intensity is half of the peak value.