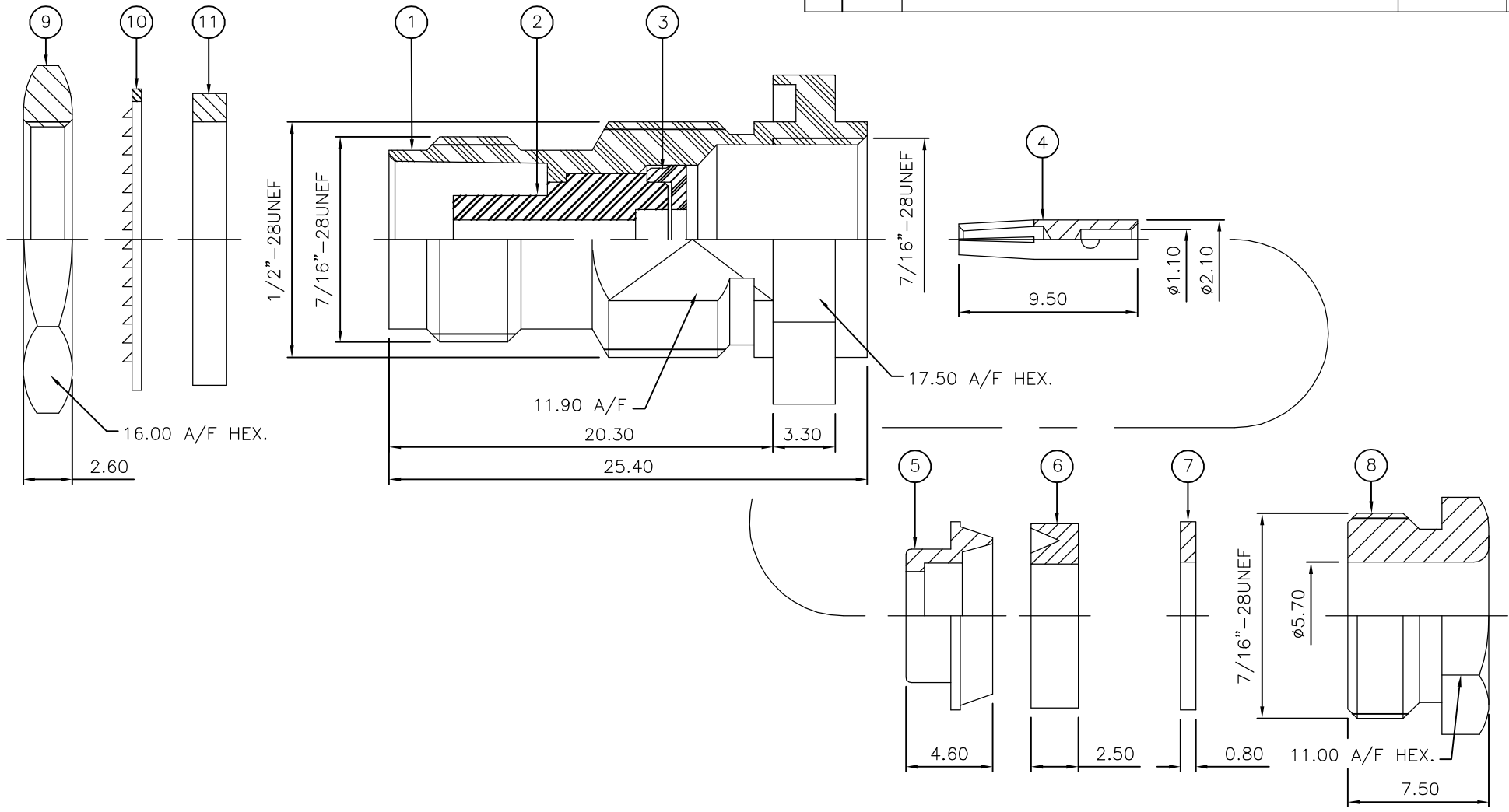


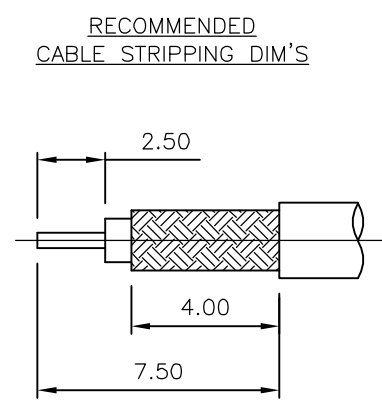
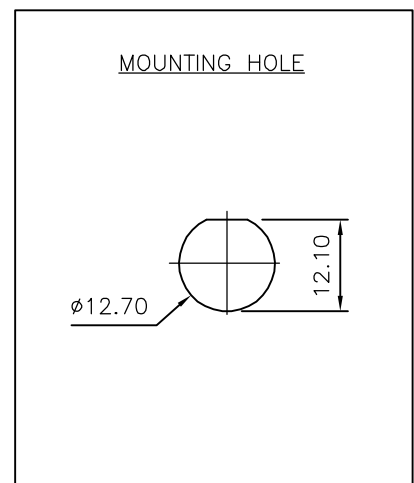
THIS DRAWING IS UNPUBLISHED. RELEASED FOR PUBLICATION JUNE ,2006.
 © COPYRIGHT 2006 BY TYCO ELECTRONICS CORPORATION. ALL RIGHTS RESERVED.

LOC	DIST	REVISIONS					
E	B	P	LTR	DESCRIPTION	DATE	DWN	APVD
		B		ECR-06-013423	08JUN06	JMS	FWK

- NOTES:**
- 1 PACK IN ACCORDANCE WITH AMP SPEC 107-3275
 - 2 100 TRAY PACK IN ACCORDANCE WITH AMP SPEC 107-3275
 - 3 Ag PLATING
 - 4 THIS ITEM MUST BE WHITE
- 5 ELECTRICAL CHARACTERISTICS**
- | | |
|-------------------------------|----------------------------|
| FREQUENCY RANGE: | DC - 11 GHz |
| NOMINAL IMPEDANCE: | 50 Ohm |
| INSULATION RESISTANCE: | 5000 MOhm |
| WORKING VOLTAGE: | 500 Volts RMS at Sea Level |
| DIELECTRIC WITHSTAND VOLTAGE: | 1500 Volts RMS Max |
| CONTACT RESISTANCE: | |
| CENTRE CONTACT: | 1.50 mOhm Max |
| OUTER CONTACT: | 1.00 mOhm Max |
| VSWR @ 4GHz: | 1.30:1 Max |
| INSERTION LOSS dB @ x 3 GHz: | 0.20 Max |
- 6 MECHANICAL CHARACTERISTICS**
- | | |
|-------------------------------|----------------|
| COUPLING NUT RETENTION FORCE: | N/A |
| CABLE RETENTION FORCE: | 170N Min |
| CLAMP NUT RECOMMENDED TORQUE: | 4N |
| MOUNT NUT RECOMMENDED TORQUE: | 4N |
| DURABILITY: | 500 Cycles Min |
- 7 ENVIRONMENTAL CHARACTERISTICS**
- | | |
|------------------------|------------------|
| OPERATING TEMPERATURE: | -65 to +165 DegC |
|------------------------|------------------|
- 8 FOR TECHNICAL DATA REFER TO YOUR LOCAL TYCO ELECTRONICS SALES OFFICE**
- 9 ALL DIMENSIONS ARE NOMINAL FOR REFERENCE ONLY UNLESS OTHERWISE STATED**



QTY	QTY PER ASSY	MATERIAL	DESCRIPTION	ITEM
1	1	SILICONE RUBBER	GASKET	11
1	1	STEEL	LOCKWASHER	10
1	1	BRASS	HEXAGONAL NUT	9
1	1	BRASS	CLAMP NUT	8
1	1	BRASS	WASHER	7
1	1	SILICONE RUBBER	GASKET	6
1	1	BRASS	SLEEVE	5
1	1	BRASS	CONTACT	4
1	1	BRASS	WASHER	3
1	1	PTFE	INSULATION	2
1	1	BRASS	BODY	1
6--0	1--0	MATERIAL	DESCRIPTION	ITEM



THIS DRAWING IS A CONTROLLED DOCUMENT.		DWN J.SANDWELL 08JUN06	Tyco Electronics Corporation Bideford EX39 4HE	
DIMENSIONS: mm		CHK S.PARLOW 08JUN06		
TOLERANCES UNLESS OTHERWISE SPECIFIED:		APVD F.WHEELER-KING 08JUN06	NAME	
0 PLC ± - 1 PLC ± - 2 PLC ± - 3 PLC ± - 4 PLC ± - ANGLES ± - FINISH -		PRODUCT SPEC -	TNC STRAIGHT BULKHEAD JACK SOLDER SILVER PLT 50 OHM RG58C/U, 141A/U, URM43, 76, KX15	
MATERIAL SEE TABLE		APPLICATION SPEC 411-3252	SIZE A3	CAGE CODE 00779
		WEIGHT -	DRAWING NO C-1478021	
		CUSTOMER DRAWING	RESTRICTED TO -	
		SCALE NTS	SHEET 1 OF 1	REV B