

## DETAILS

<b>Product Number</b>	C15217_STRADA-2X2-CAT-B
<b>Family</b>	Strada
<b>Type</b>	Lens
<b>Color</b>	clear
<b>Diameter</b>	50 mm
<b>Height</b>	7,73 mm
<b>Style</b>	square
<b>Optic Material</b>	PMMA
<b>Holder Material</b>	
<b>Fastening</b>	pin, screw
<b>Status</b>	production ready
<b>ROHS Compliant</b>	Yes
<b>Date Updated</b>	12/10/2016



## OPTICAL PROPERTIES

LED	Viewing Angle	Light Beam	Efficiency	cd/lm	Connector
XP-G2	Asymmetric deg	Streetligh...	94 %	0.610	-
XT-E	sim: Asymmetric	Streetligh...	sim: 93 %	sim: 0.610	-
XP-G3	sim: Asymmetric	Streetligh...	sim: 93 %	sim: 0.520	-
LUXEON 5050	Asymmetric deg	Streetligh...	94 %	0.620	-
NVSxE21A	asym deg	Streetligh...	94 %	0.920	-
NVSxx19B/NVSxx19C	sim: Asym	Streetligh...	sim: 88 %	sim: 0.680	-
LH351D	sim: asym	Streetligh...	sim: 90 %	sim: 0.460	-

D

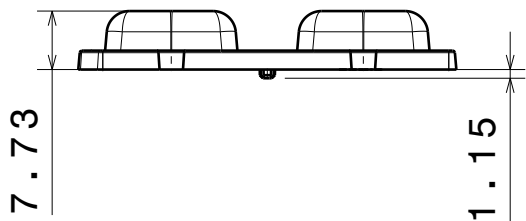
C

B

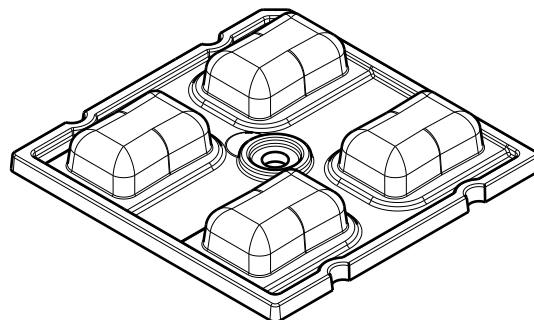
A

4

4



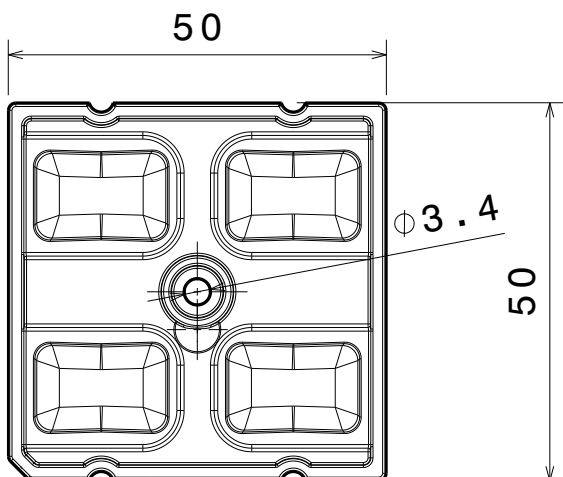
Bottom view  
Scale: 1:1



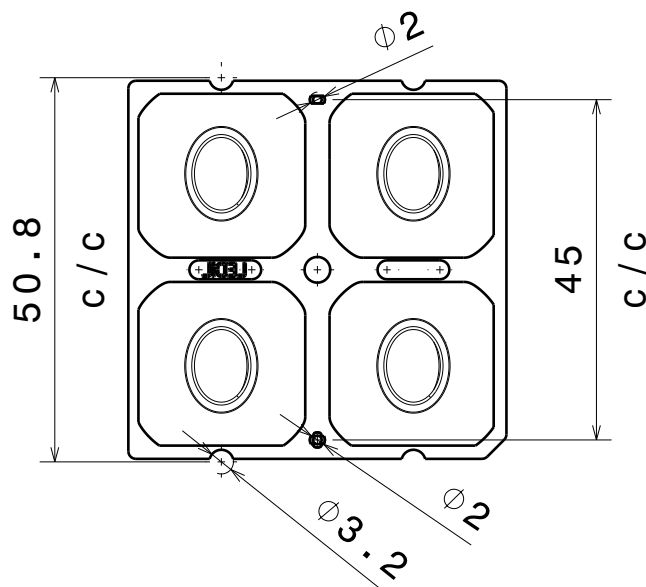
Isometric view  
Scale: 1:1

3

3



Front view  
Scale: 1:1



Rear view  
Scale: 1:1

2

2

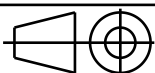
INDEX	PART NO	DESCRIPTION	MATERIAL	COLOUR
1	C15217	STRADA-2x2-CAT-B	PMMA	

Tolerances if not otherwise shown  
According to DIN ISO 2768-1  
Linear measures:  
Up to 30mm class M, otherwise class C.  
According to DIN ISO 2768-2  
Form and position: class L

**LEDiL**

Ledil Oy  
Salorankatu 10  
FIN 24240 SALO  
Finland

THIRD ANGLE PROJECTION:



DRAWING TITLE

C15217\_STRADA-2x2-CAT-B

This drawing is the property  
of LEDiL Oy. It may not be  
reproduced, copied or  
communicated without a written  
agreement with LEDiL Oy.

SIZE PART NUMBER

A4

C15217

SCALE 1:1 WEIGHT 20,91 g SHEET 1/1

D

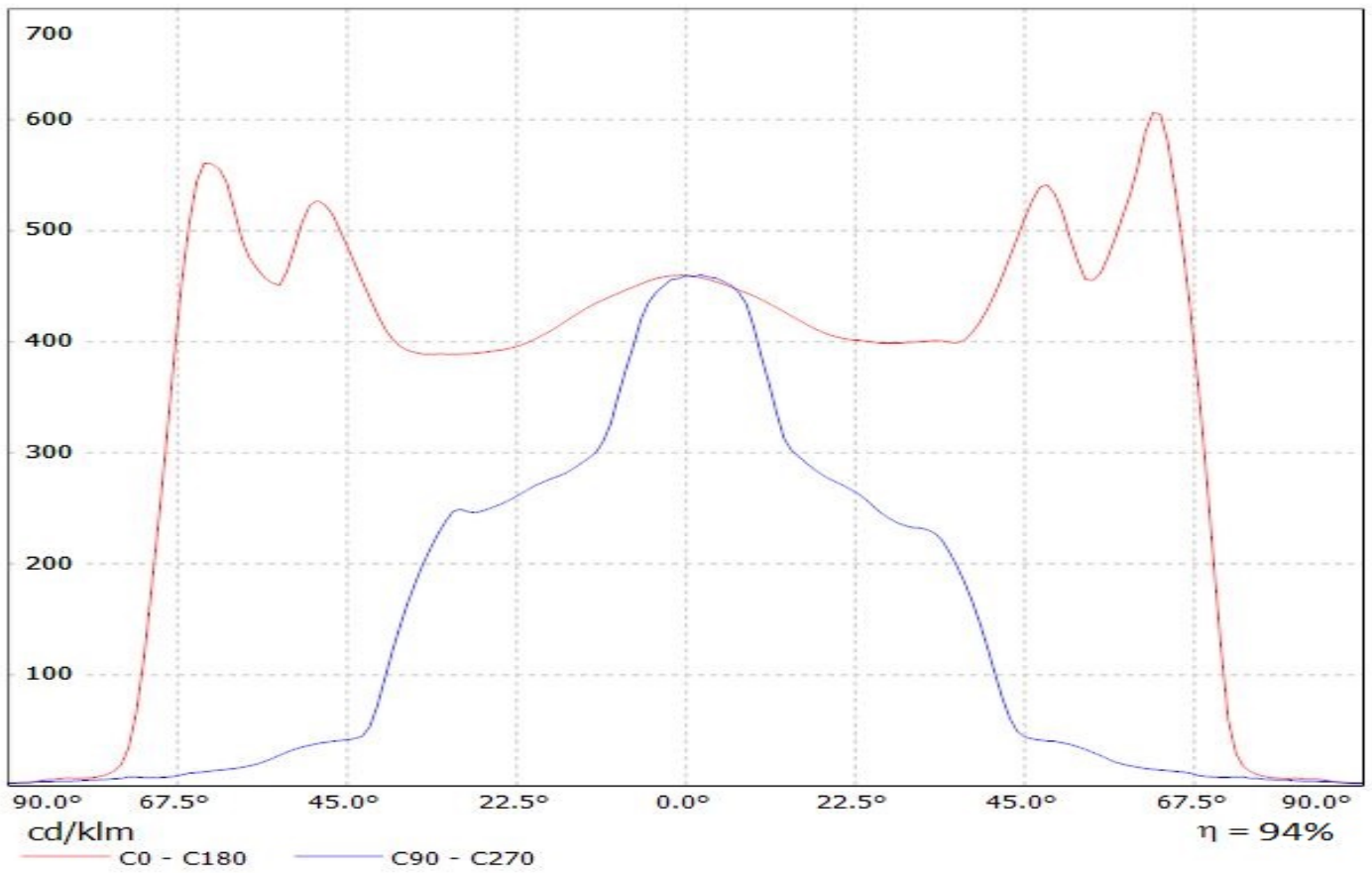
A

1

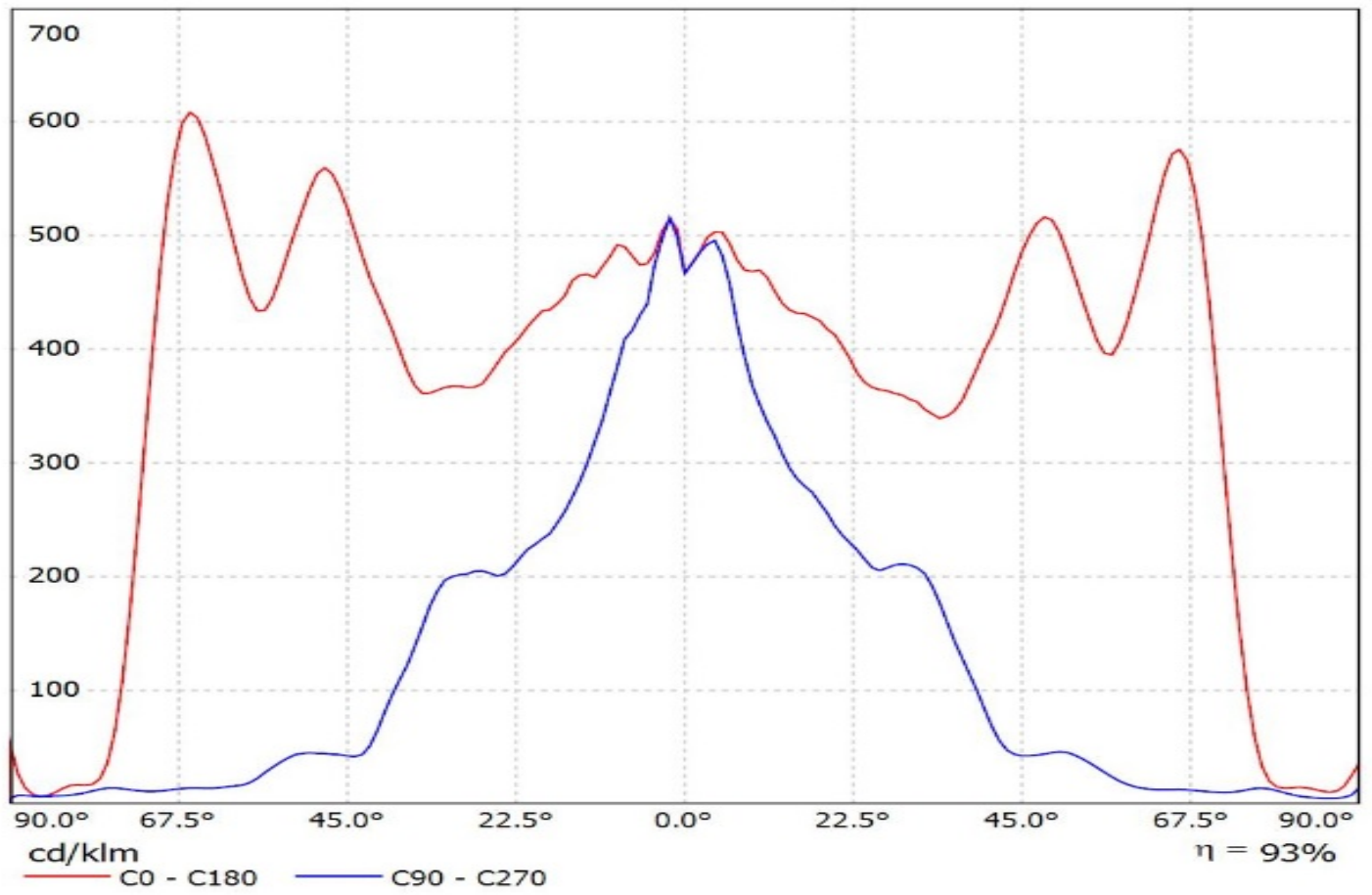
1

Luminaire: LEDiL Oy C15217\_STRADA-2X2-CAT-B\_(XP-G2)\_C3

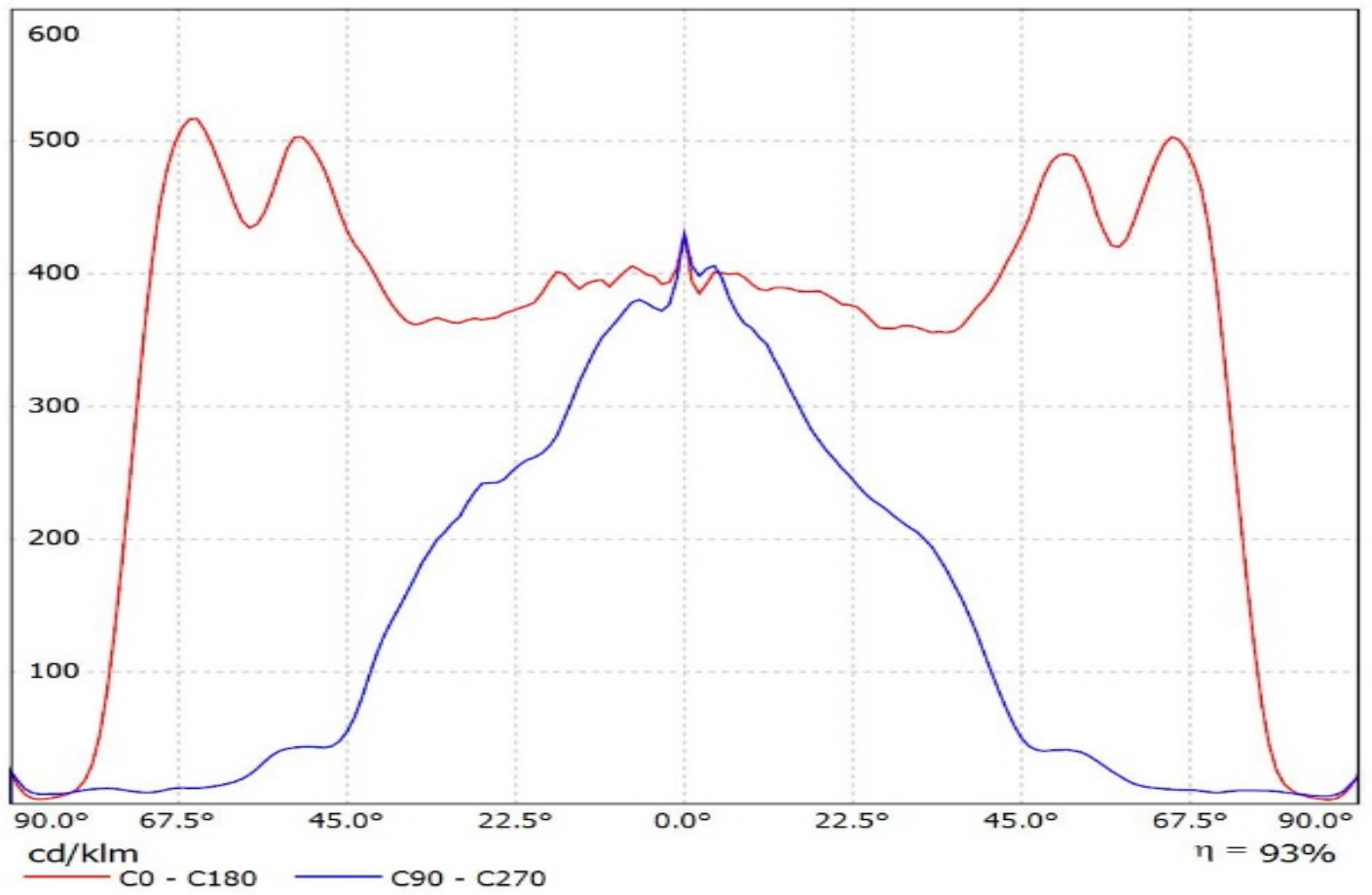
Lamps: 1 x Cree\_XP-G2\_(XPGBWT-L1-000-00-G51)\_408.281lm@250mA\_P=2.96413W\_I=0.250A



Luminaire: Ledil Oy C15217\_STRADA-2X2-CAT-B\_(XT-E)\_SIMULATED  
Lamps: 1 x Cree XT-E

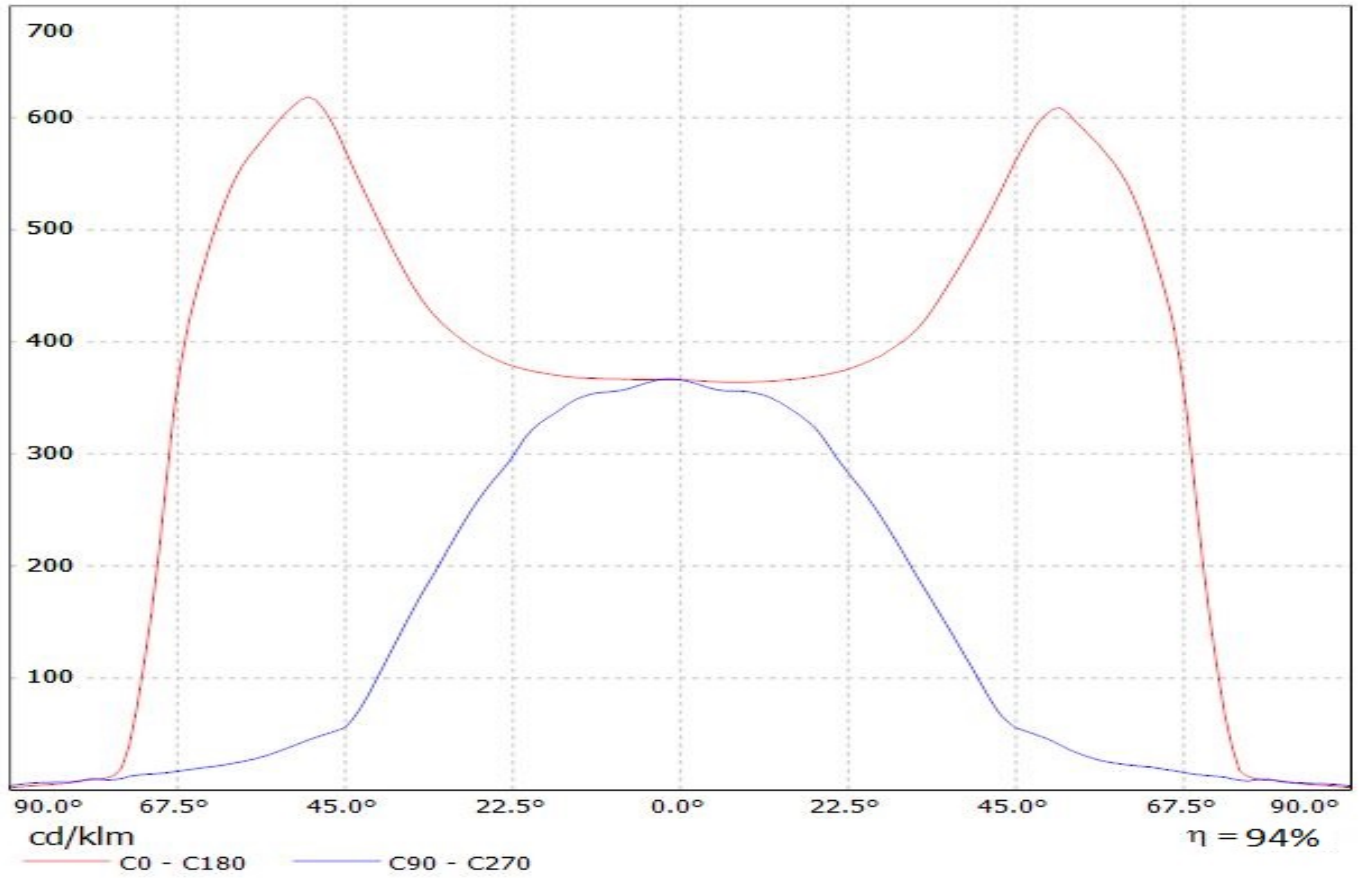


Luminaire: Ledil Oy C15217\_STRADA-2X2-CAT-B\_(XP-G3)\_SIMULATED  
Lamps: 1 x Cree XP-G3

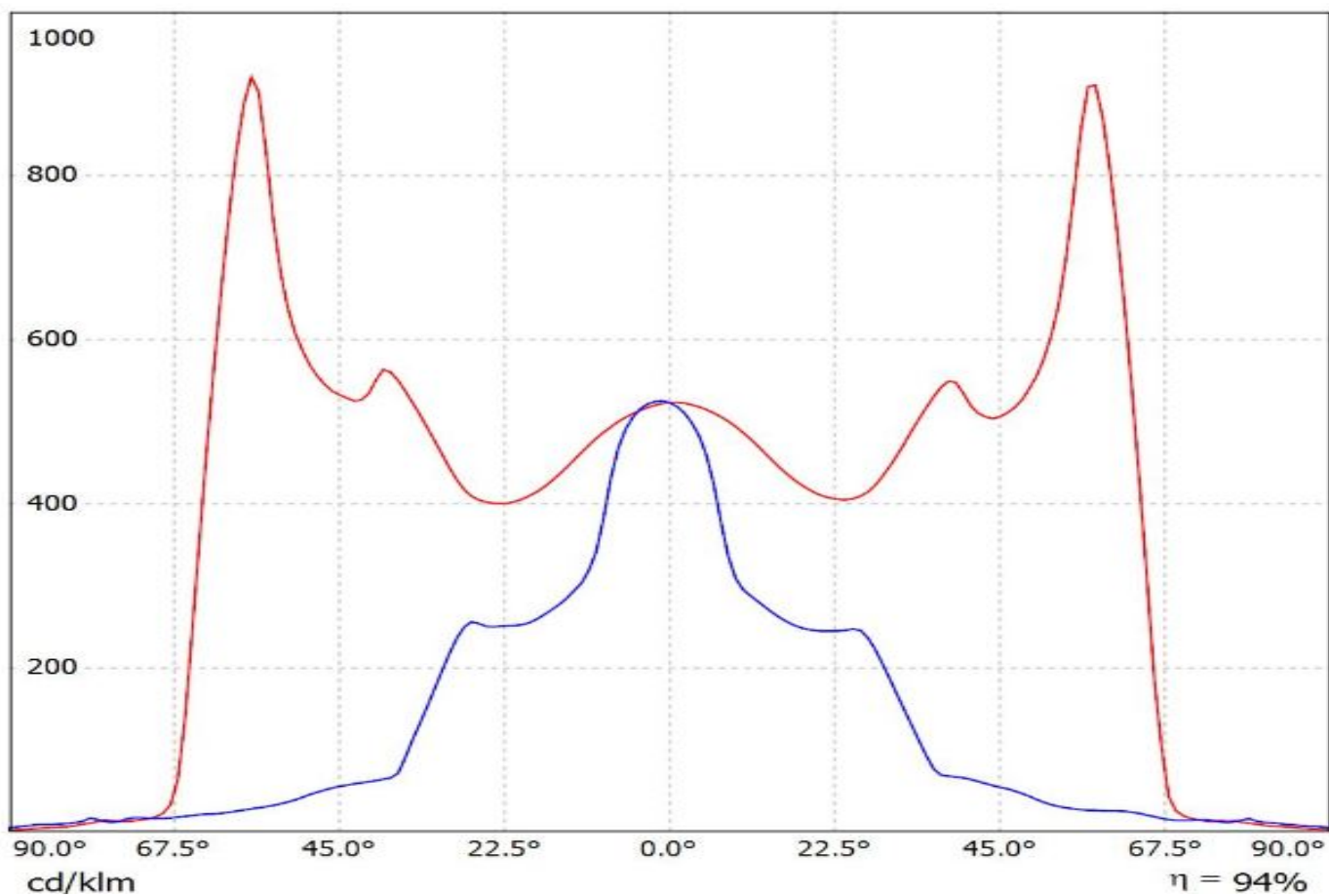


Luminaire: LEDiL Oy C15217\_STRADA-2X2-CAT-B\_(Luxeon\_5050)

Lamps: 1 x Luxeon\_5050\_2x2\_1251.02lm@80mA\_CCT=5700K\_P=7.27443W\_I=0.080A\_70CRI

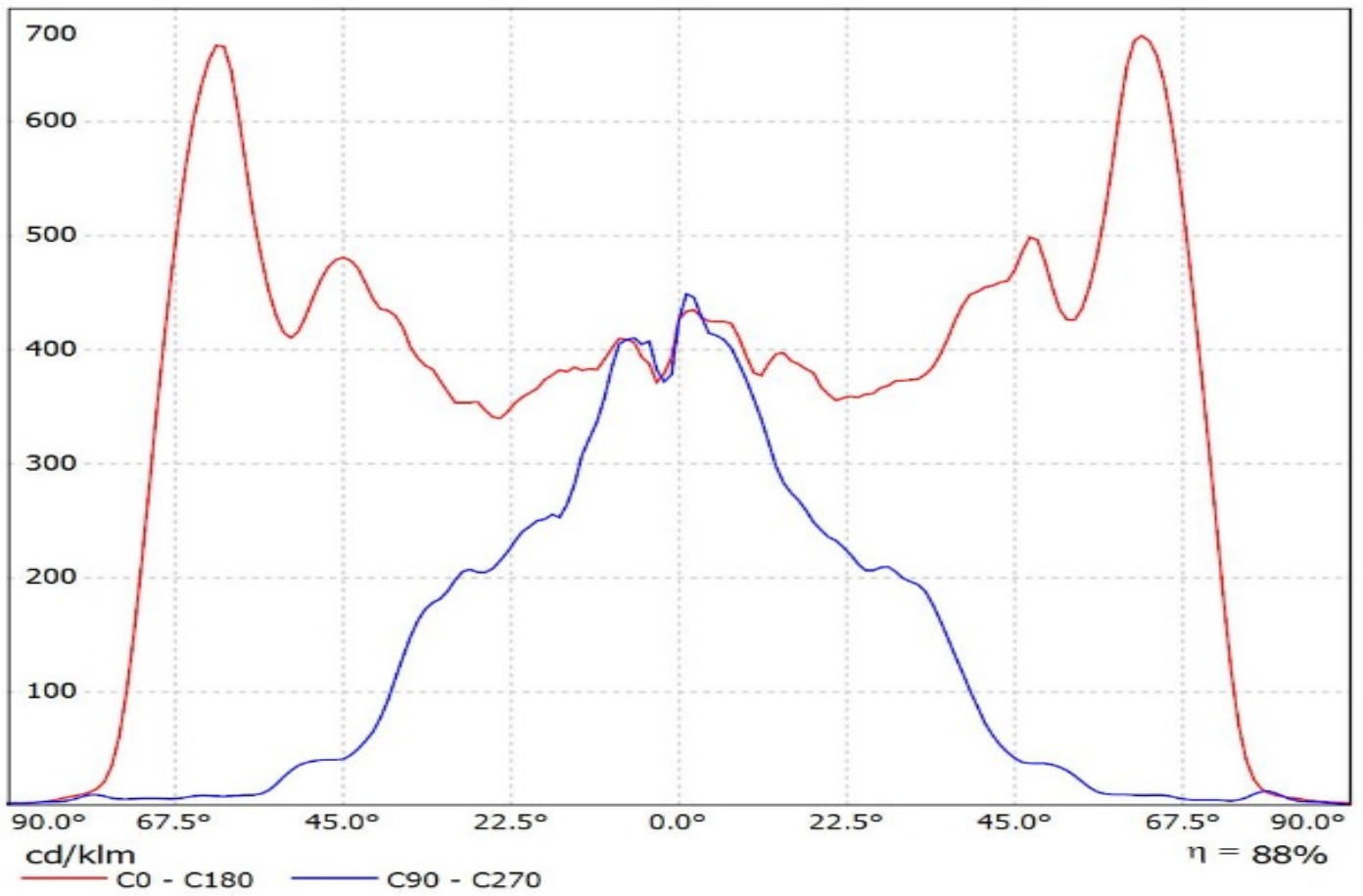


Luminaire: LEDiL Oy C15217\_STRADA-2X2-CAT-B\_(E21A)  
Lamps: 1 x Nichia\_E21A\_452.248lm@250mA\_2.805W\_I=0.250A





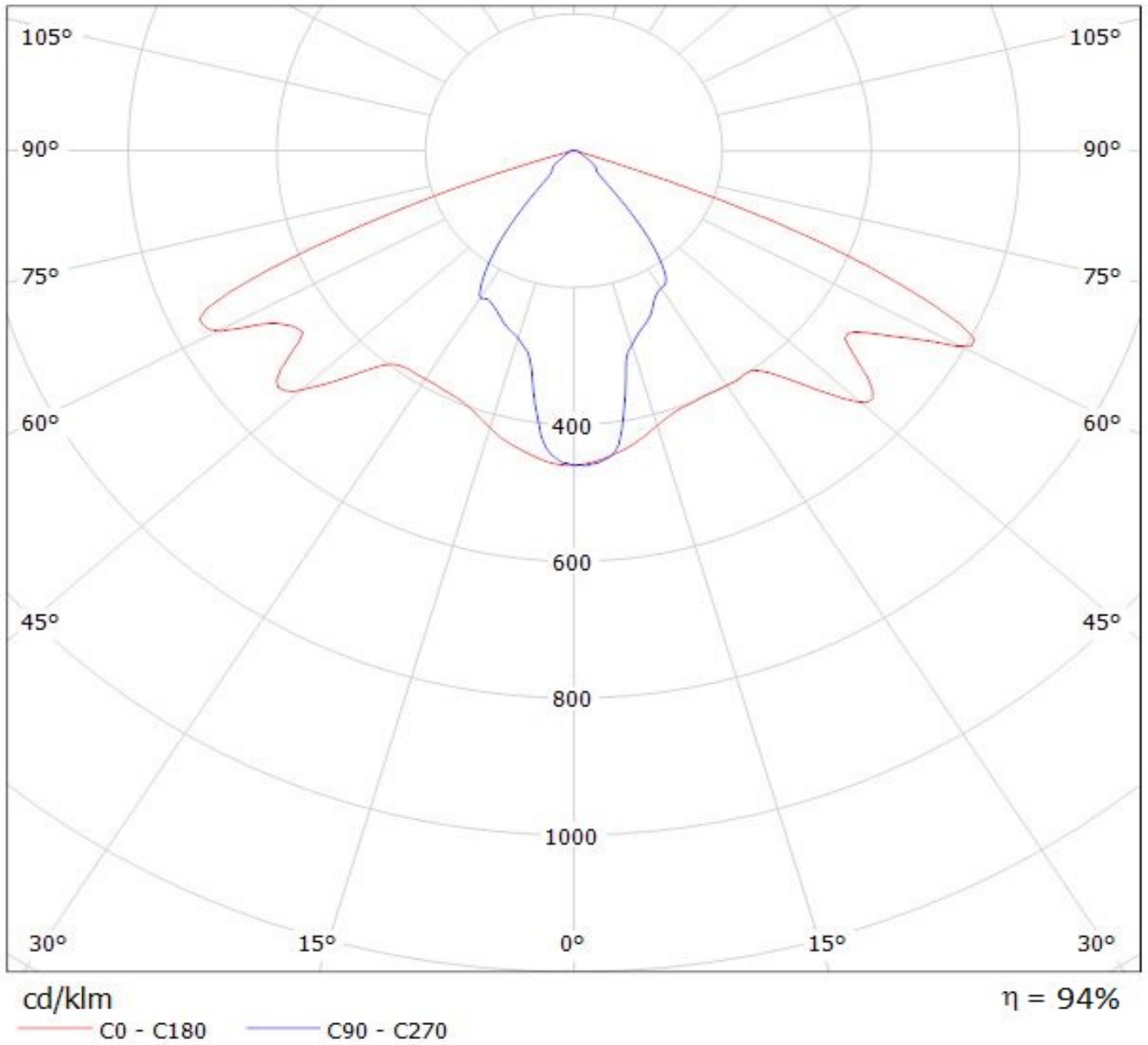
Luminaire: Ledil Oy C15217\_STRADA-2X2-CAT-B\_NV5xx19C\_SIMULATED  
Lamps: 1 x NICHIA NV5xx19C





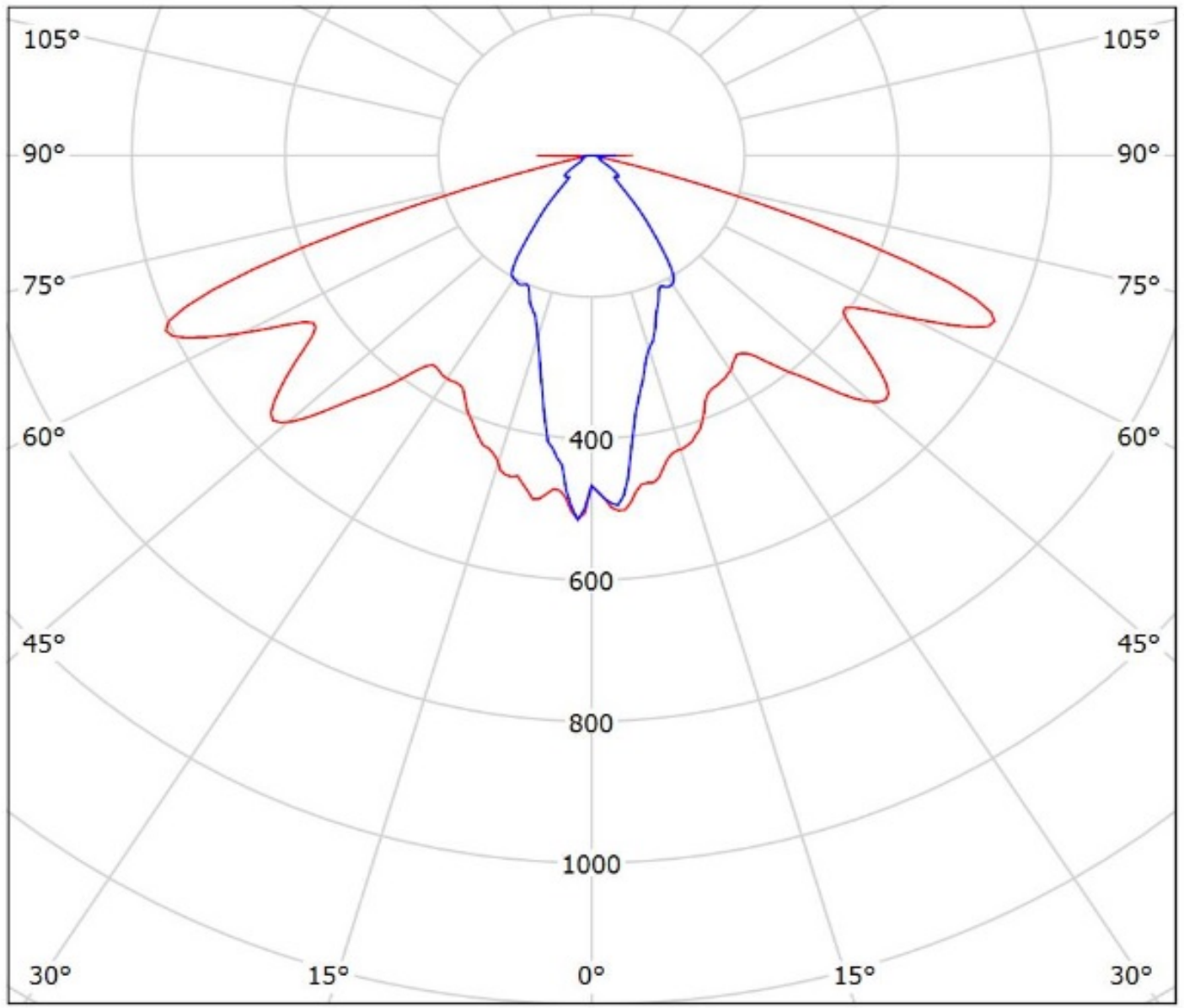
Luminaire: LEDiL Oy C15217\_STRADA-2X2-CAT-B\_(XP-G2)\_C3

Lamps: 1 x Cree\_XP-G2\_(XPGBWT-L1-000-00-G51)\_408.281lm@250mA\_P=2.96413W\_I=0.250A



Luminaire: Ledil Oy C15217\_STRADA-2X2-CAT-B\_(XT-E)\_SIMULATED

Lamps: 1 x Cree XT-E



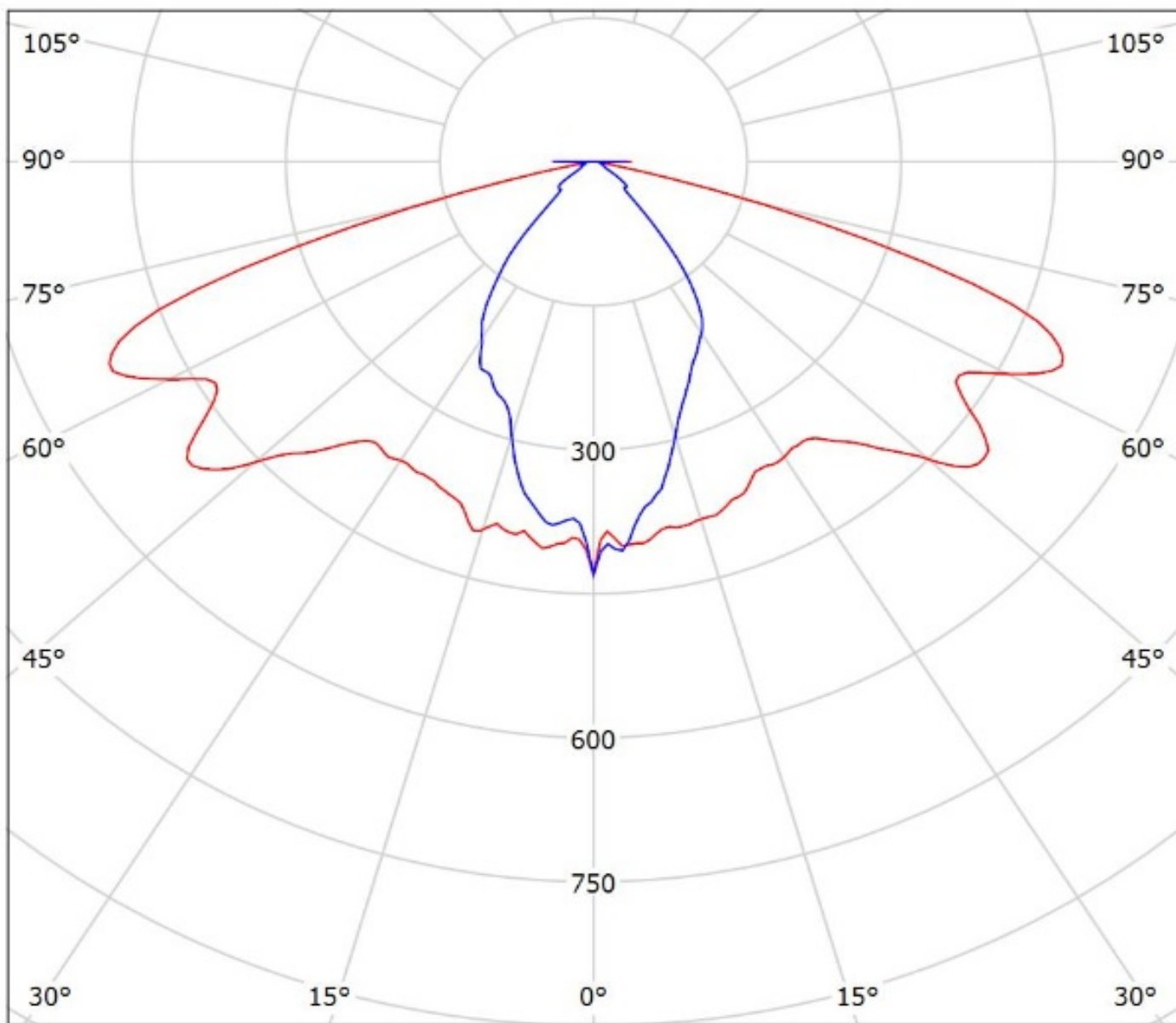
cd/klm

— C0 - C180 — C90 - C270

$\eta = 93\%$

Luminaire: Ledil Oy C15217\_STRADA-2X2-CAT-B\_(XP-G3)\_SIMULATED

Lamps: 1 x Cree XP-G3



cd/klm

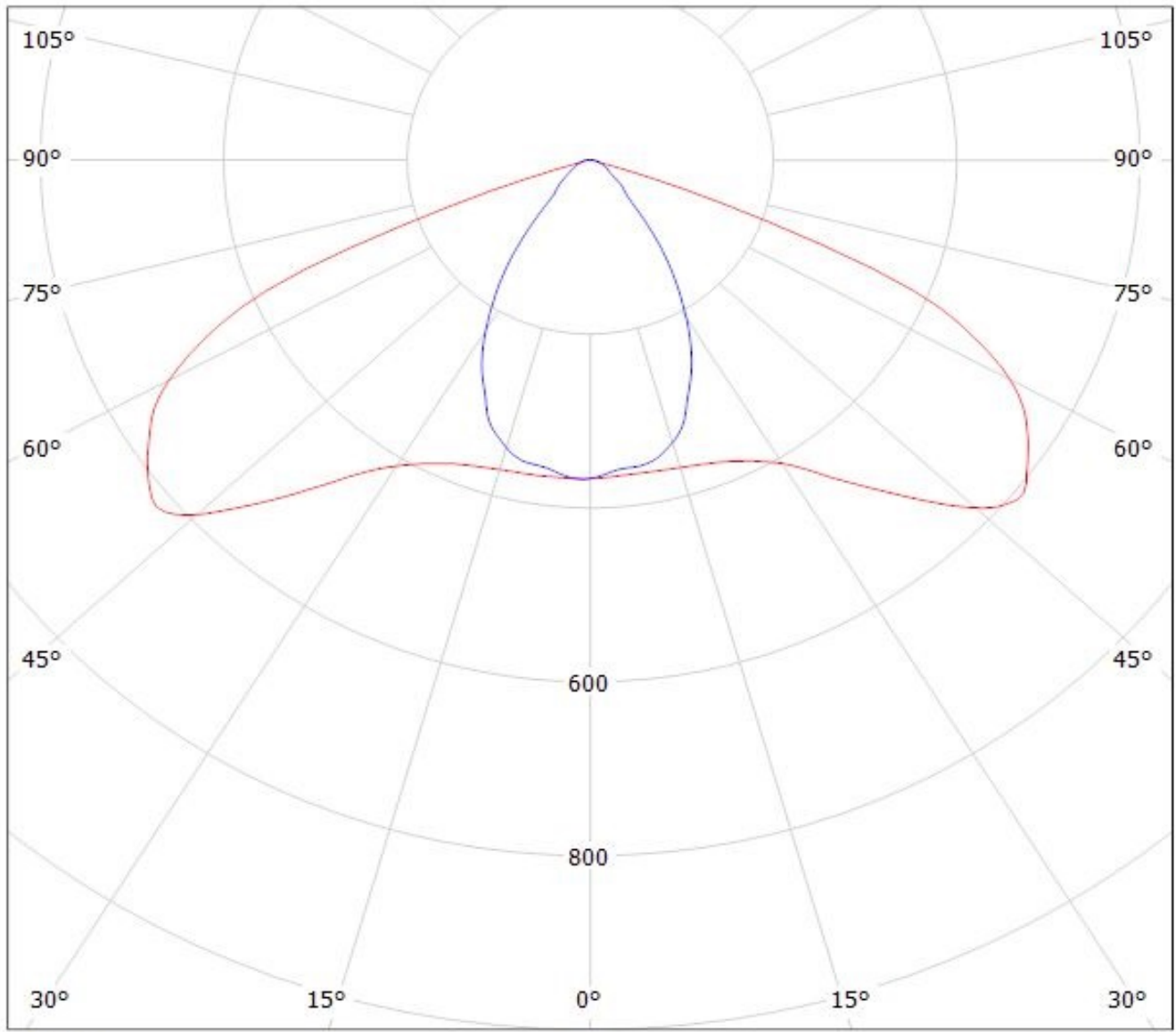
— C0 - C180

— C90 - C270

η = 93%

Luminaire: LEDiL Oy C15217\_STRADA-2X2-CAT-B\_(Luxeon\_5050)

Lamps: 1 x Luxeon\_5050\_2x2\_1251.02lm@80mA\_CCT=5700K\_P=7.27443W\_I=0.080A\_70CRI



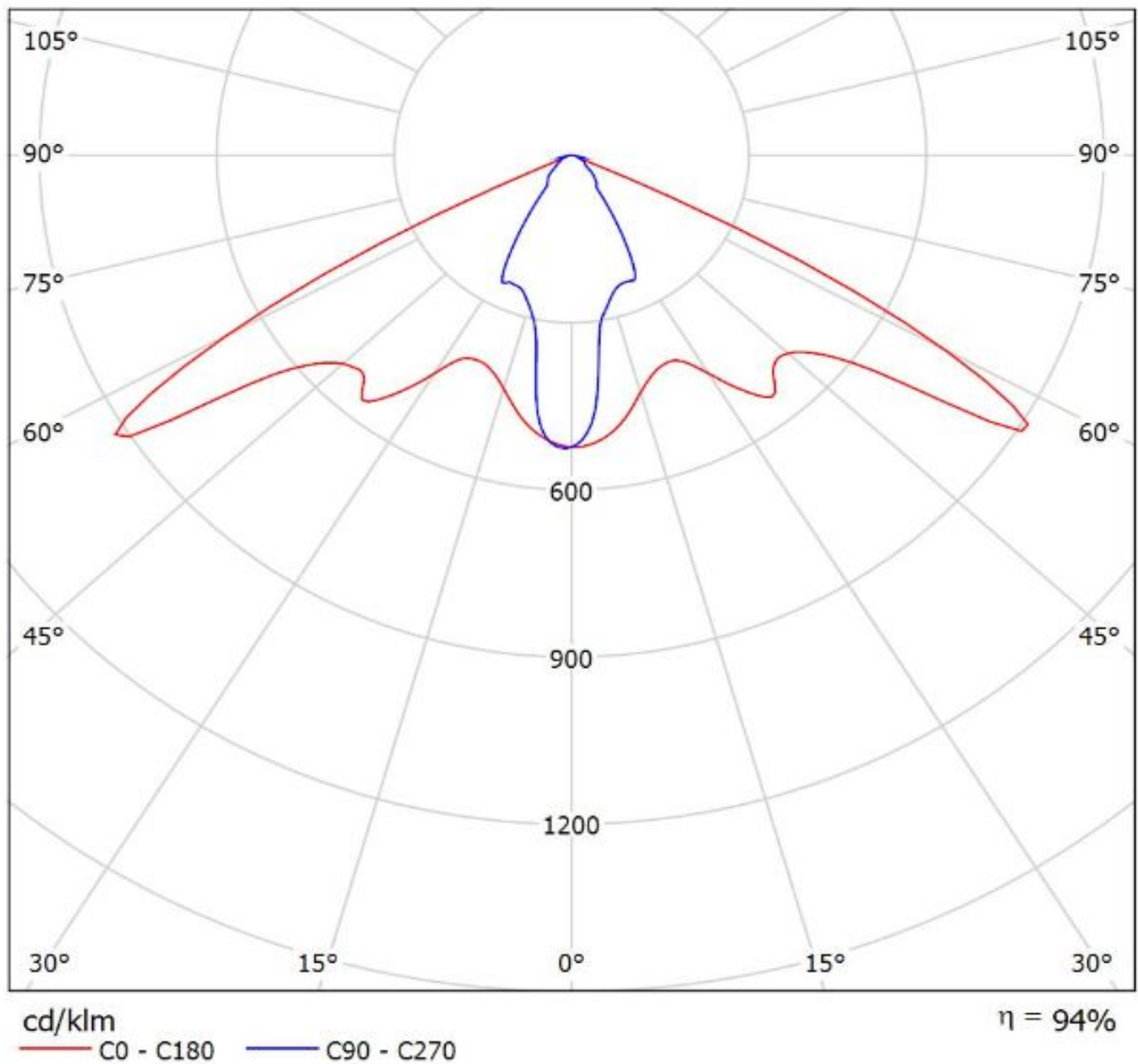
cd/klm

— C0 - C180    — C90 - C270

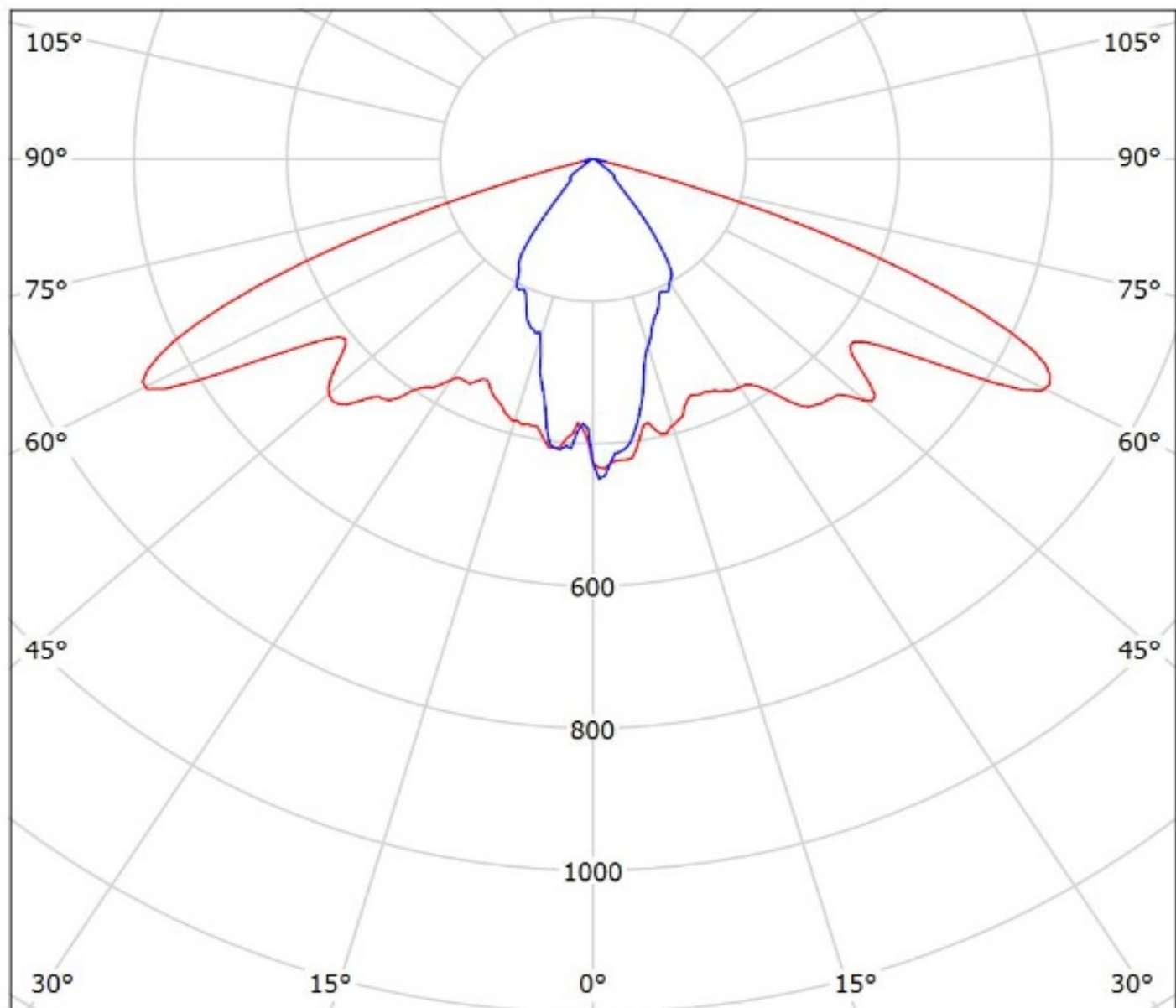
$\eta = 94\%$

Luminaire: LEDiL Oy C15217\_STRADA-2X2-CAT-B\_(E21A)

Lamps: 1 x Nichia\_E21A\_452.248lm@250mA\_2.805W\_I=0.250A



Luminaire: Ledil Oy C15217\_STRADA-2X2-CAT-B\_NV5xx19C\_SIMULATED  
Lamps: 1 x NICHIA NV5xx19C



cd/klm

— C0 - C180 — C90 - C270

$\eta = 88\%$

**NOTE: The typical divergence will be changed by different color, chip size and chip position tolerance. The typical total divergence is the full angle measured where the luminous intensity is half of the peak value.**