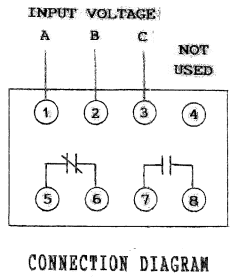
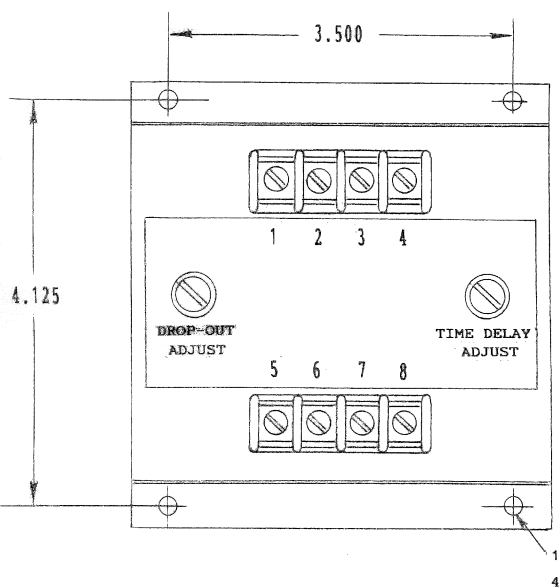
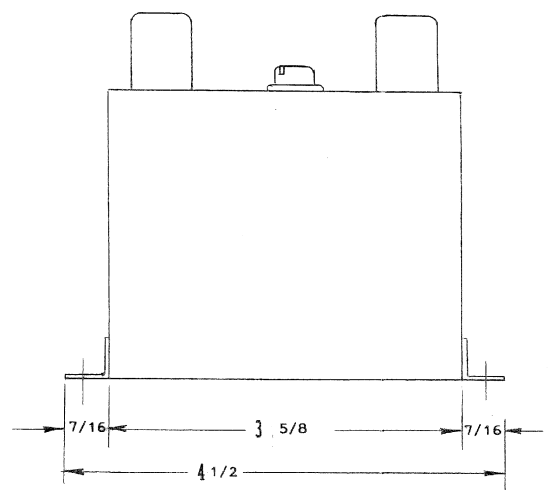
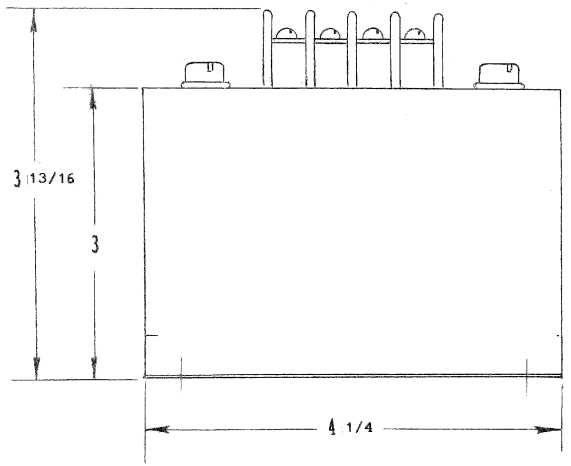


REVISIONS				
ZONE	LTR	DESCRIPTION	DATE	APPROVED



NOMINAL VOLTAGE: _____ SEE TABLE
 NUMBER OF PHASES: _____ 3
 FREQUENCY: _____ 50-400 HZ
 DROP-OUT VOLTAGE: _____ 70 % TO 100 % OF NOMINAL, SCREWDRIVER ADJUSTABLE
 DROP-OUT TIME DELAY: _____ .5 TO 20 SECONDS, SCREWDRIVER ADJUSTABLE
 PH./DO. DIFFERENTIAL: _____ 1 % TYPICAL
 BURDEN: _____ 3 VA. MAX.
 OUTPUT CONTACTS: _____ ONE SET NORMALLY CLOSED, ONE SET NORMALLY OPEN
 ISOLATED FROM EACH OTHER
 CONTACT RATING: _____ 5 A RES. 28 VDC OR 120 VAC
 OPERATION: THE OUTPUT CONTACTS, SHOWN IN THE DE-ENERGIZED POSITION, WILL TRANSFER WHEN NOMINAL VOLTAGE IS APPLIED, AND WILL REVERT TO THE DE-ENERGIZED POSITION, AFTER TIME DELAY, WHEN THE VOLTAGE FALLS BELOW THE DROP-OUT SETTING.
 WHEN THE VOLTAGE FALLS TO APPROX. 33 % OF NOMINAL, DROP-OUT TIME DELAY WILL BE .150 TO .300 SEC. TYPICALLY.
 RESET IS AUTOMATIC UPON RETURN TO NORMAL CONDITIONS.
 CONSTRUCTION: SOLID STATE SENSOR, WITH ELECTROMECHANICAL OUTPUT RELAY. ENCLOSED IN A SEALED STEEL HOUSING PLATED PER MIL-T-10727 TYPE II.



MODEL	SUPERSEDES MODEL	L-L VOLTAGE
WUVT3-100		100
WUVT3-120	401TD-2	120
WUVT3-200		200
WUVT3-208	401TD-1	208
WUVT3-220	401TD-3	220
WUVT3-230	401TD-4	230
WUVT3-240	401TD-5	240
WUVT3-380	401TD-6	380
WUVT3-400		400
WUVT3-416	401TD-7	416
WUVT3-440		440
WUVT3-460	401TD-8	460
WUVT3-480	401TD-9	480
WUVT3-525	401TD-10	525
WUVT3-575	401TD-11	575

NOTES:

- REMOVE BLACK TOP SCREW FOR ACCESS TO THE ADJUSTMENT POTENTIOMETERS.
- CLOCKWISE ROTATION OF THE ADJUSTMENTS WILL RISE THE DROP-OUT AND TIME DELAY.
- OUTPUT CONTACTS OPTIONS:
 - TWO N.O. CONTACTS: ADD "A" TO MODEL NUMBER
 - TWO N.C. CONTACTS: ADD "B" TO MODEL NUMBER
 - CONTACTS RATED AT 3 AMP. 125 VDC.: ADD "H" TO MODEL NUMBER
- SURGE WITHSTAND OPTION:

SURGE WITHSTAND CAPABILITY IN ACCORDANCE WITH ANSI/IEEE C37.90-1978: ADD "T" TO MODEL NUMBER.

UNLESS OTHERWISE SPECIFIED DIMENSIONS ARE IN INCHES TOLERANCES ON FRACTIONS DECIMALS ANGLES ± 1/32 ± .010 ± 1/20	CONTRACT NO.		WILMAR WE ELECTRONICS, INC.	
	DRAWN	C.M.	10.12.94	2430 AMSLER STREET TORRANCE, CALIFORNIA 90506
	CHECKED			TITLE
	DESIGN APPROVAL			UNDervOLTAGE RELAY MODEL WUVT3-
MATERIAL	PROJECT APPROVAL		SIZE	CODE IDENT NO.
	DESIGN ACTIVITY APPROVAL		C	25248
	APPROVAL		21-833	
			SCALE	WEIGHT
				SHEET

CUSTOMER DRAWING SD- WUVT3-SERIES Rev 0