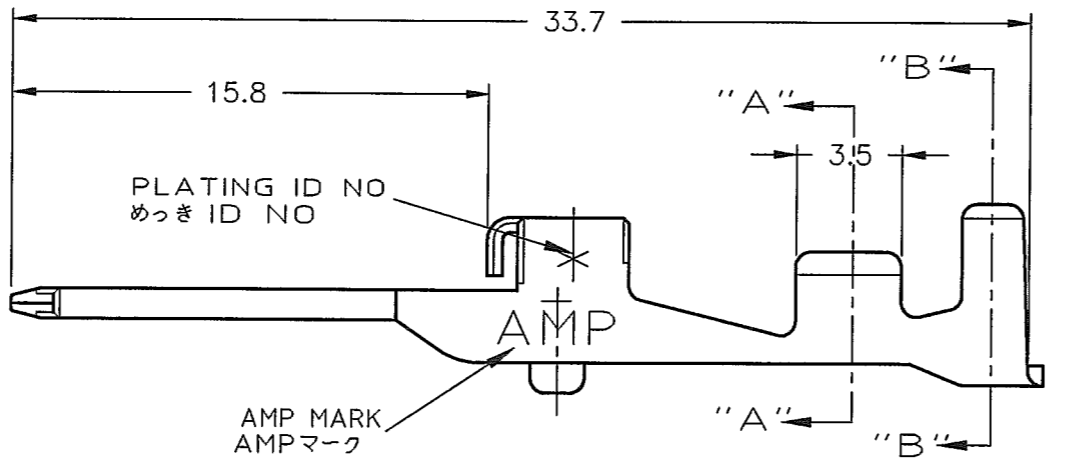
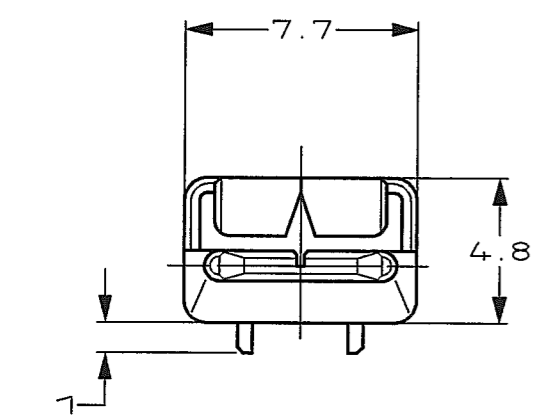
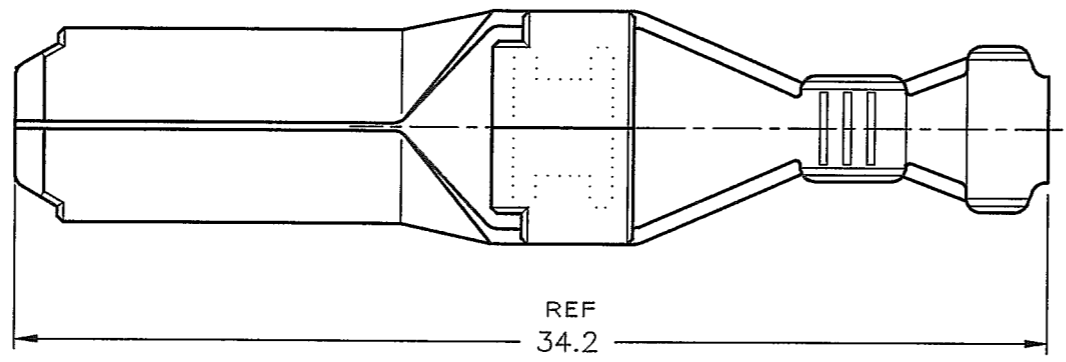
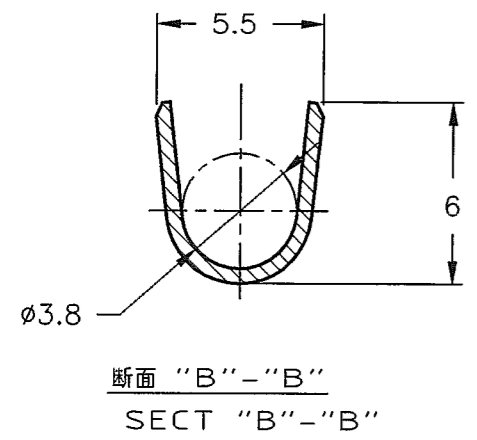
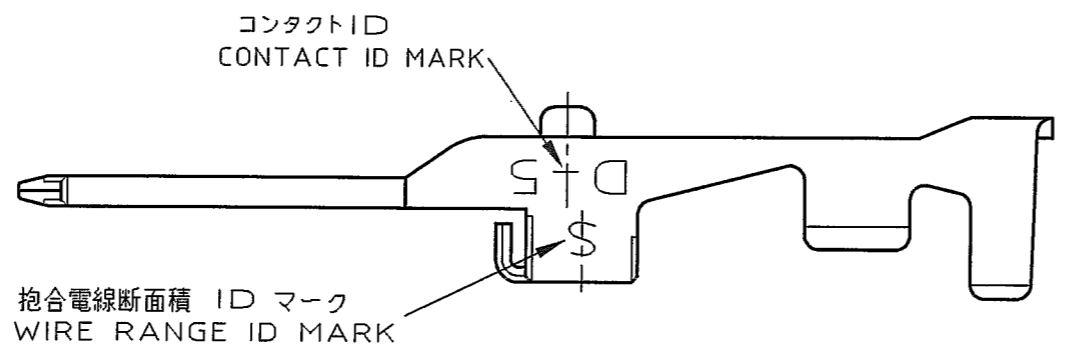
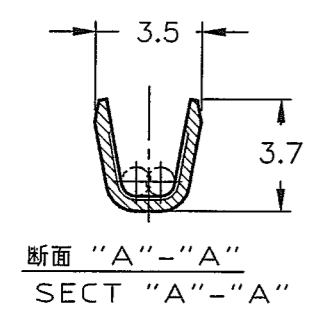


THIS DRAWING IS UNPUBLISHED. RELEASED FOR PUBLICATION 1997
 © COPYRIGHT 1995 BY AMP INCORPORATED. ALL RIGHTS RESERVED.

LOC		DIST		REVISIONS					
				変更					
P	LTR	DESCRIPTION		ECN	DATE	DWN	APVD		
	0	RELEASED		FJ00-0992-97	27/JUN '97	K.I.	I.H.		
	01	REVISED		ECR-05-003013	16 May '95	T.S.	DM		



- 注記
- △1 めっき: コンタクト: 全面Ni下地
接触部: 0.38μm MIN金めっき
 - △2 めっき: コンタクト: 全面Ni下地
接触部: 0.76μm MIN金めっき
 - △3 めっき: コンタクト: 全面Ni下地
全面: 2.54μm MIN銀めっき

- NOTES
- △1 FINISH (CONTACT AREA): 0.38μm MIN GOLD PLATING OVER Ni PLATING
 - △2 FINISH (CONTACT AREA): 0.76μm MIN GOLD PLATING OVER Ni PLATING
 - △3 FINISH (CONTACT AREA): 2.54μm MIN SILVER PLATING OVER Ni PLATING

6	△3	917804-6
3	△2	917804-3
2	△1	917804-2
めっき ID NO	仕上	バラ状
PL ID CODE	FINISH	L/P
		(P/N) 型番

WIRE RANGE 抱合電線断面積	1.23/2.27sq AWG #16/#14	INSULATION DIA 被覆外径	3/3.8 mm φ
-----------------------	----------------------------	------------------------	------------

THIS DRAWING IS A CONTROLLED DOCUMENT FOR AMP INCORPORATED. IT IS SUBJECT TO CHANGE AND THE CONTROLLING ENGINEERING ORGANIZATION SHOULD BE CONTACTED FOR THE LATEST REVISION.		DWN	26/JUN/'97
DIMENSIONS: 単位 特 mm		CHK	K.IKEDA
TOLERANCES UNLESS OTHERWISE SPECIFIED		APVD	27/JUN/'97
一般公差			N.MATSUBARA
1Q : ±0.3			I.HASEGAWA
3Q : >10 : ±0.35		PRODUCT SPEC	108-5453
10Q : >30 : ±0.4		APPLICATION SPEC	114-5206
ANGLE : ±3'		WEIGHT	1.7g
MATERIAL 材料	銅合金 (COPPER ALLOY)	FINISH 仕上	SEE TABLE 表参照
		CUSTOMER DRAWING	

tyco Electronics		Tyco Electronics AMP K.K. Kawasaki, Japan	
NAME 名称			
TAB CONTACT "S" SIZE タブコンタクト "S" サイズ <DYNAMIC D-5000 SERIES>			
SIZE	CAGE CODE	DRAWING NO 番号	
A3	00779	C= 917804	
SCALE 尺度		SHEET	REV
4-1		1 OF 1	01