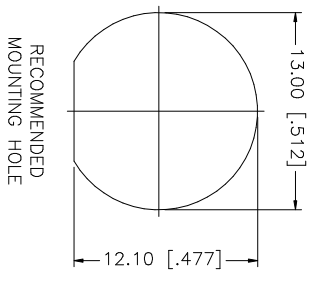
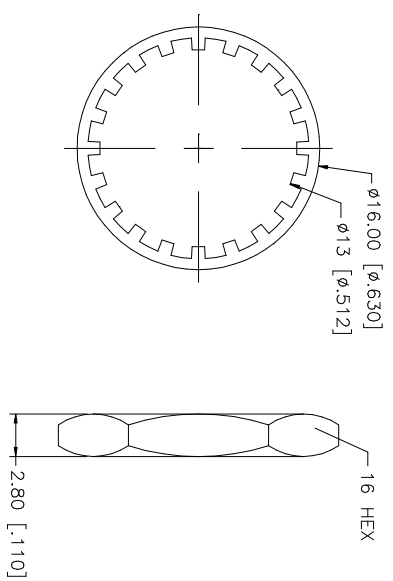
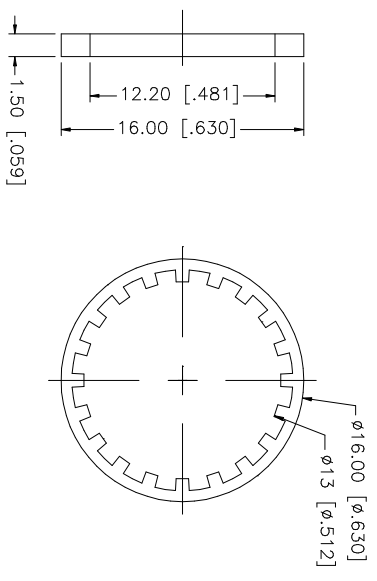
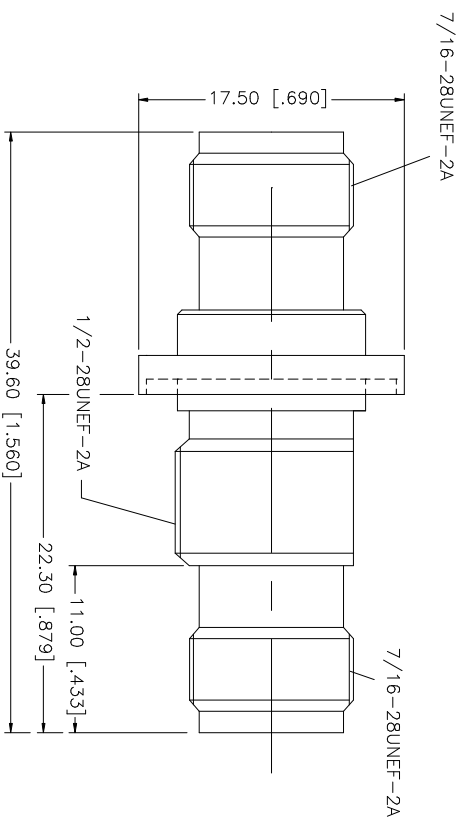


REV.	DATE	DESCRIPTION
NC	05/25/04	INITIAL RELEASE



QTY	DESCRIPTION	MATERIAL	FINISH	FINISH	QTY	DO NOT SCALE DRAWING	APPROVALS	DATE	PART DESCRIPTION	
1	HEX NUT	BRASS	NICKEL	NICKEL	1	UNLESS OTHERWISE SPECIFIED DIMENSIONS ARE IN MILLIMETERS. DIMENSIONS IN [ ] ARE IN INCHES AND FOR CUSTOMER REFERENCE ONLY. UNLESS OTHERWISE SPECIFIED TOLERANCES FOR MILLIMETERS ARE: 0.5 - 8mm ± 0.20mm 8 - 30mm ± 0.40mm 30 - 120mm ± 0.50mm	DRAWN G.R.S.	05/25/04	<b>Amphenol Connex</b> TNC FEMALE TO FEMALE BULKHEAD ADAPTOR PART NO. 122340	
1	LOCK WASHER	BRASS	NICKEL	NICKEL	1	UNLESS OTHERWISE SPECIFIED TOLERANCES FOR MILLIMETERS ARE: 0.5 - 8mm ± 0.20mm 8 - 30mm ± 0.40mm 30 - 120mm ± 0.50mm	CHECKED			
1	GASKET	RUBBER	RED	RED	1	UNLESS OTHERWISE SPECIFIED TOLERANCES FOR MILLIMETERS ARE: 0.5 - 8mm ± 0.20mm 8 - 30mm ± 0.40mm 30 - 120mm ± 0.50mm	ISSUED			
1	CONTACT PIN	PHOS. BRONZE	GOLD	GOLD	1	UNLESS OTHERWISE SPECIFIED TOLERANCES FOR MILLIMETERS ARE: 0.5 - 8mm ± 0.20mm 8 - 30mm ± 0.40mm 30 - 120mm ± 0.50mm	SHEET 1 OF 1			
1	INSULATOR	DELRIN	NATURAL	NATURAL	1	UNLESS OTHERWISE SPECIFIED TOLERANCES FOR MILLIMETERS ARE: 0.5 - 8mm ± 0.20mm 8 - 30mm ± 0.40mm 30 - 120mm ± 0.50mm				
1	BODY	BRASS	NICKEL	NICKEL	1	UNLESS OTHERWISE SPECIFIED TOLERANCES FOR MILLIMETERS ARE: 0.5 - 8mm ± 0.20mm 8 - 30mm ± 0.40mm 30 - 120mm ± 0.50mm				
	DESCRIPTION	MATERIAL	FINISH	FINISH	QTY	DO NOT SCALE DRAWING	CAD FILE C:/122/122340.DWG			
							DWG. NO. 122340.DWG	REV. NC	SIZE A	SCALE NA