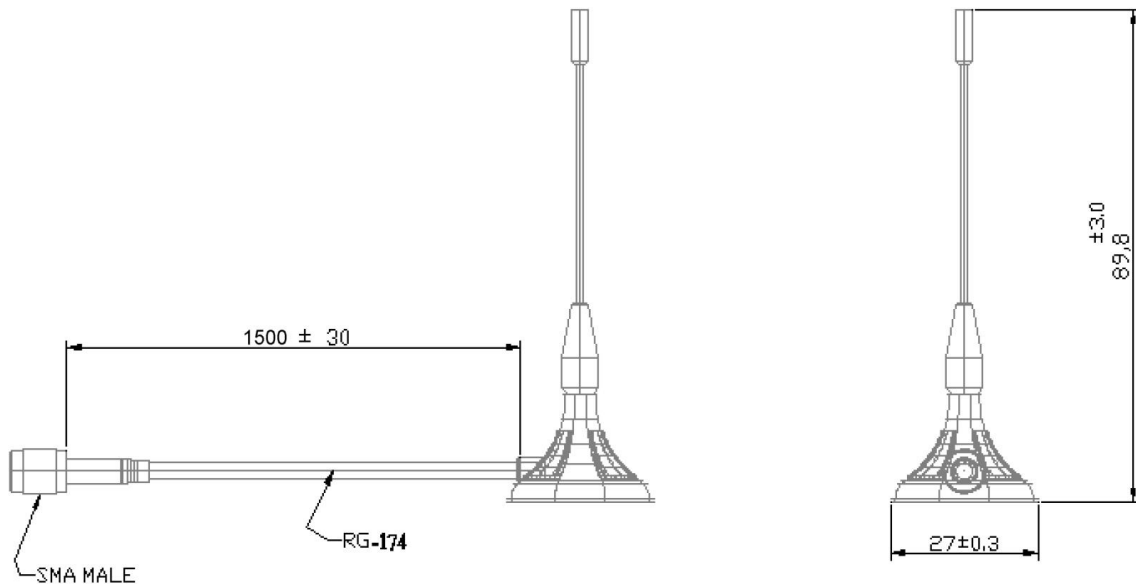


Magnetic Mount Antenna

868 MHz SRD Band



Electrical Specifications:

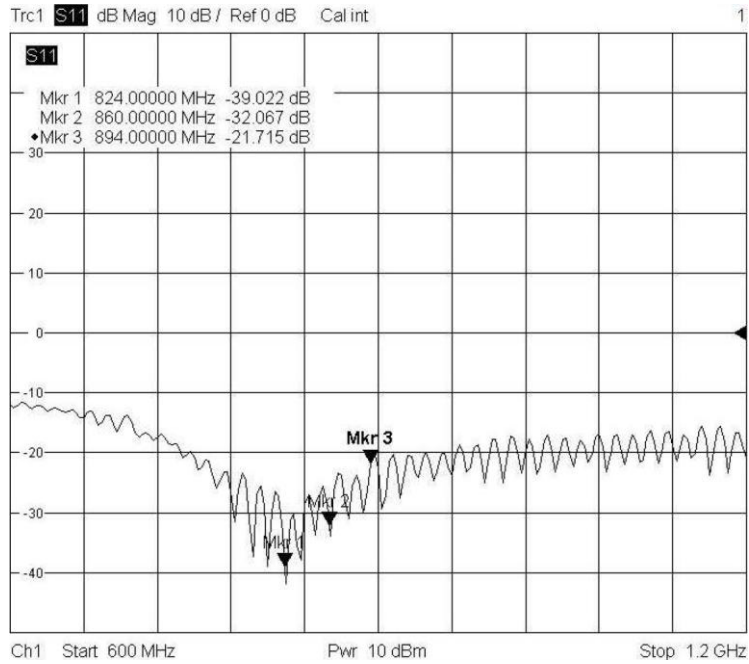
Frequency Range : 824 ~894 MHz
 VSWR : ≤ 2.0
 Impedance : $50\Omega \pm 5\Omega$
 Polarization : Vertical
 Power Handling : 1W

Mechanical Specifications:

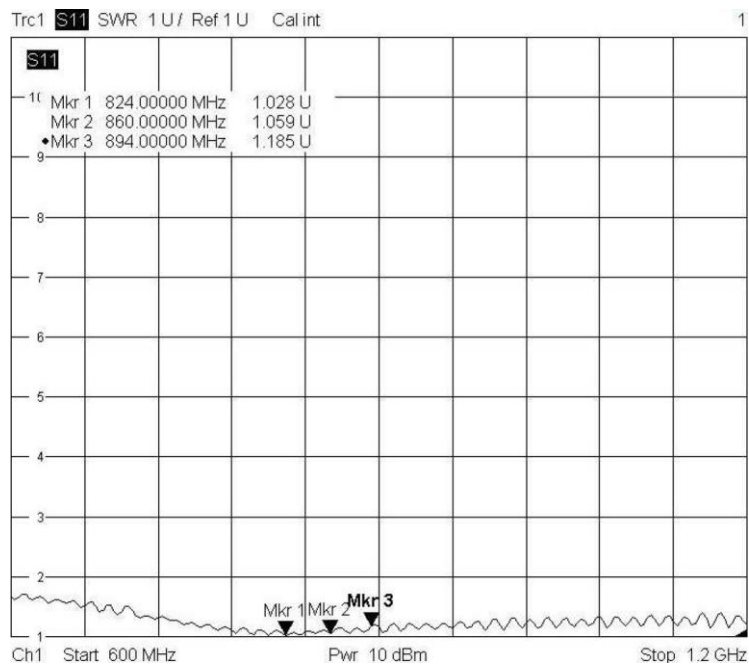
Connector : SMA MALE
 Operation Temp. : $-30^{\circ}\text{C} \sim +60^{\circ}\text{C}$
 Cable & Length : RG-174 1.5M Black
 Material : Radome: ABS
 Base: Magnetic
 Dimension : $\text{Ø}27\text{mm} \times 89.8\text{mm}$
 Weight : $50\text{g} \pm 5\text{g}$
 Color : Black



Return loss :



SWR :



Ordering information

Item no.	Description
AMB1982	868 MHz magnetic mount antenna



AMBER wireless GmbH
 Phone +49.651.993.550
 Email info@amber-wireless.de
 Internet www.amber-wireless.de