

PRODUCT DATASHEET

Florentina series

last update 20/7/2016

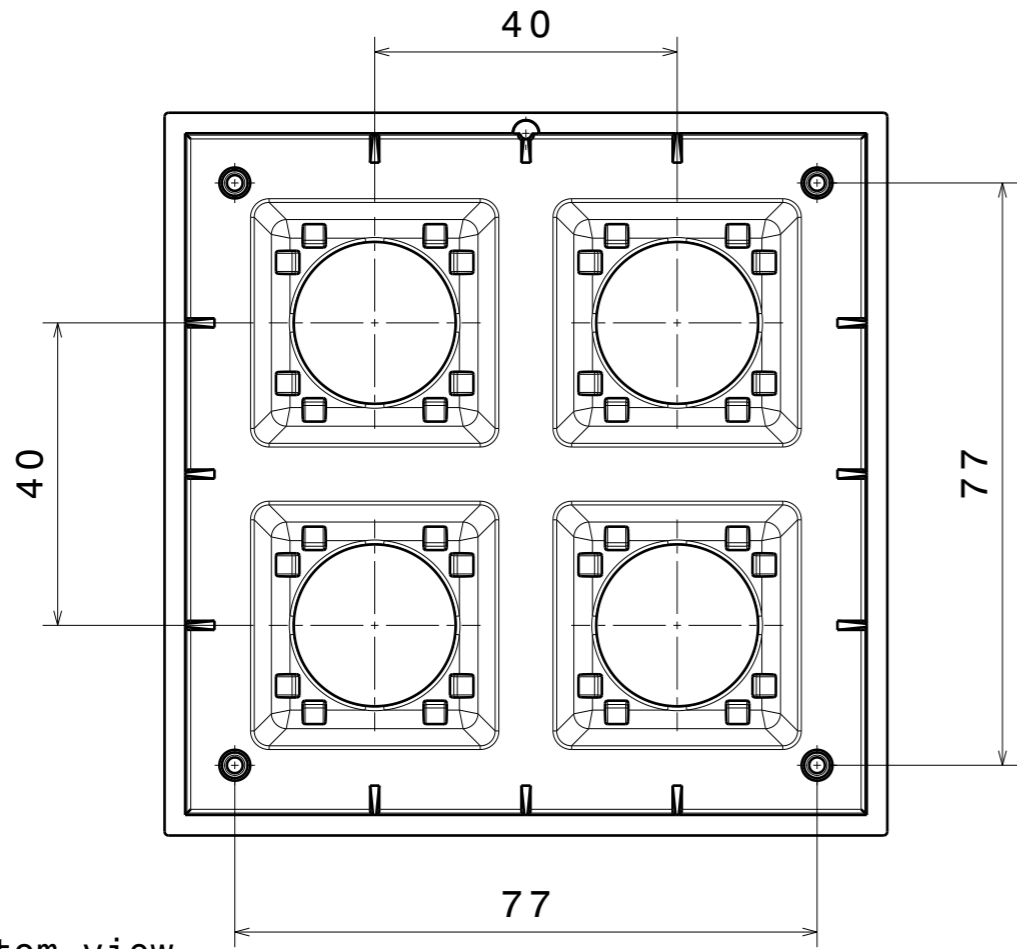
DETAILS

Product Number	C14734_FLORENTINA-2X2-SHD
Family	Florentina
Type	Shade
Color	black
Diameter	95,57x95,57 mm
Height	17,72 mm
Style	square
Optic Material	
Holder Material	
Fastening	pin
Status	production ready
ROHS Comliant	Yes
Date Updated	20/07/2016

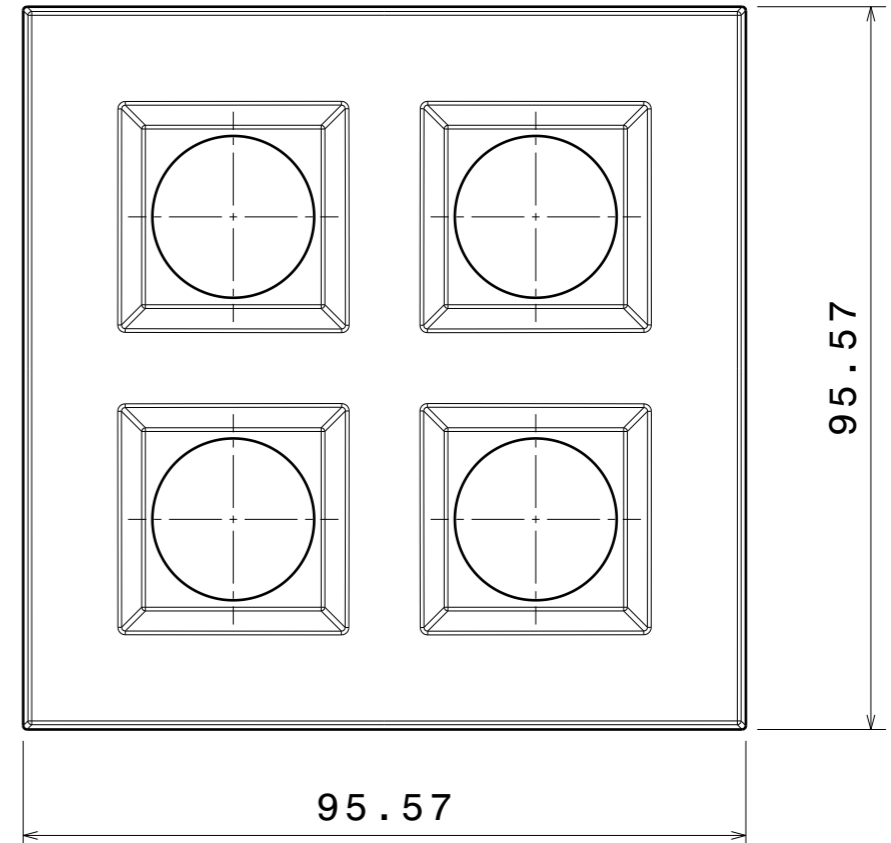
OPTICAL PROPERTIES

LED	Viewing Angle	Light Beam	Efficiency	cd/lm	Connector
-	N/A deg	-	-	sim: 0.000	-

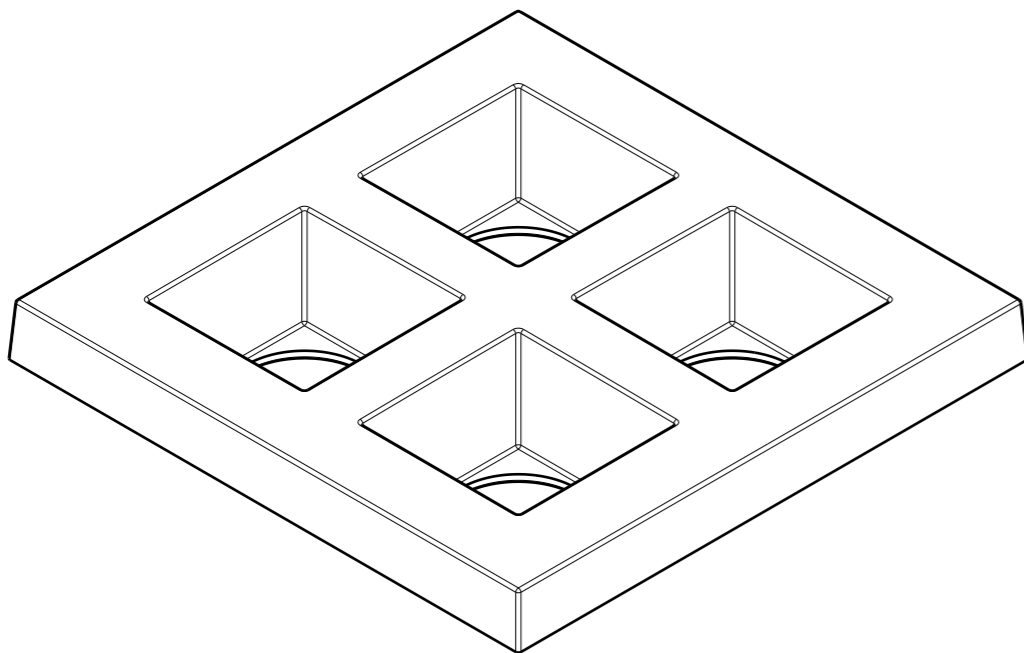
H G F E D C B A



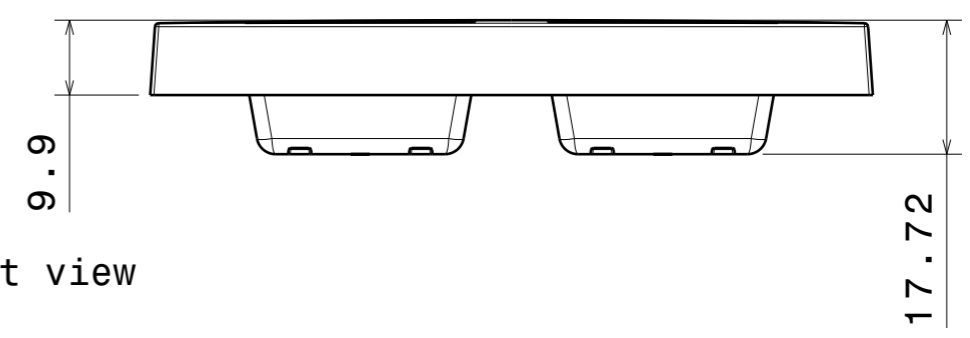
Bottom view



Top view



Isometric view



Front view

INDEX	PART NO	DESCRIPTION	MATERIAL	COLOUR
1	C14734	FLORENTINA-2X2-SHD	PC	black

Tolerances if not otherwise shown
 According to DIN ISO 2768-1
 Linear measures:
 up to 30mm class M, otherwise class C
 According to DIN ISO 2768-2
 Form and position: class L

LEDiL LediL Oy
 Salorankatu 10
 FIN 24240 SALO
 Finland

THIRD ANGLE PROJECTION:

DRAWING TITLE
C14734_FLORENTINA-2X2-SHD

This drawing is the property
 of LEDiL Oy. It may not be
 reproduced, copied or
 communicated without a written
 agreement with LEDiL Oy.

SIZE	PART NUMBER
A3	C14734

SCALE	1:1	WEIGHT	35,98 g	SHEET	1/1
-------	-----	--------	---------	-------	-----

H G B A

NOTE: The typical divergence will be changed by different color, chip size and chip position tolerance. The typical total divergence is the full angle measured where the luminous intensity is half of the peak value.