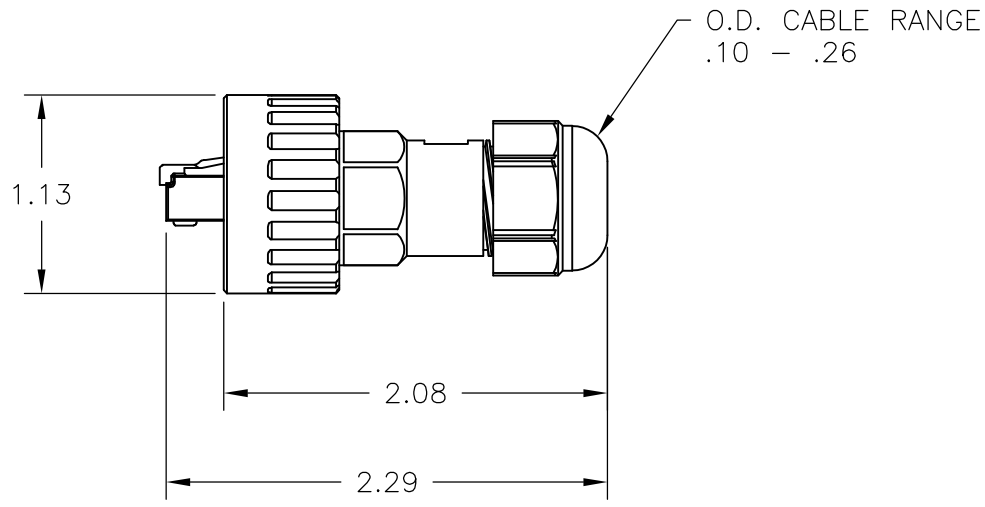
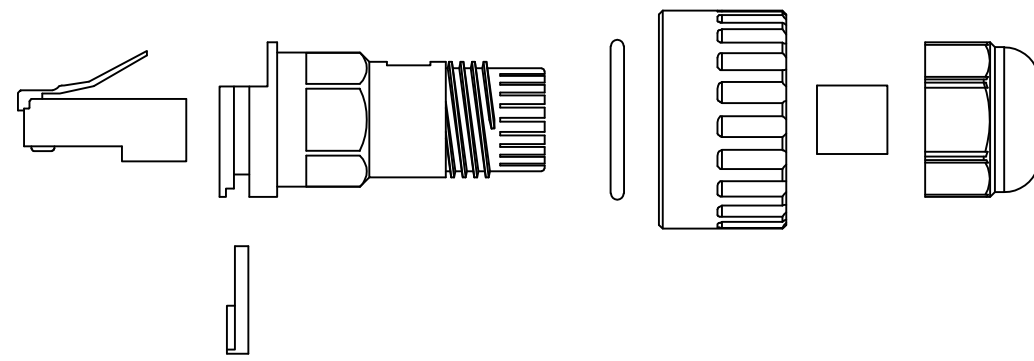

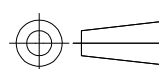


THIS DRAWING IS UNPUBLISHED. RELEASED FOR PUBLICATION - , - .
 © COPYRIGHT - By - ALL RIGHTS RESERVED.

LOC	DIST	REVISIONS					
FT	0	P	LTR	DESCRIPTION	DATE	DWN	APVD
			D1	REVISED PER ECO-11-004917	11MAR11	RK	HMR



1546440-1
PART NO.

THIS DRAWING IS A CONTROLLED DOCUMENT.		DWN	S	SCHLEGEL	10/29/02	 TE Connectivity		NAME FIELD ATTACHABLE RJ-45 CONNECTOR 2.5-6.5MM ACCEPTABLE CABLE DIAMETER					
DIMENSIONS: INCHES		CHK	H	WAKEEM	10/29/02								
		APVD	H	WAKEEM	10/29/02								
TOLERANCES UNLESS OTHERWISE SPECIFIED: 0 PLC ± - 1 PLC ± - 2 PLC ± .02 3 PLC ± .005 4 PLC ± - ANGLES ± 2°		PRODUCT SPEC	-										
MATERIAL		-		FINISH	-		APPLICATION SPEC	-					
-		-		-		WEIGHT	-		SIZE	CAGE CODE	DRAWING NO	RESTRICTED TO	
-		-		-		-		A3	00779	C-1546440	-		
CUSTOMER DRAWING								SCALE	NTS	SHEET	1 OF 1	REV	D1