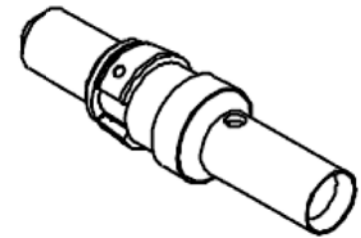
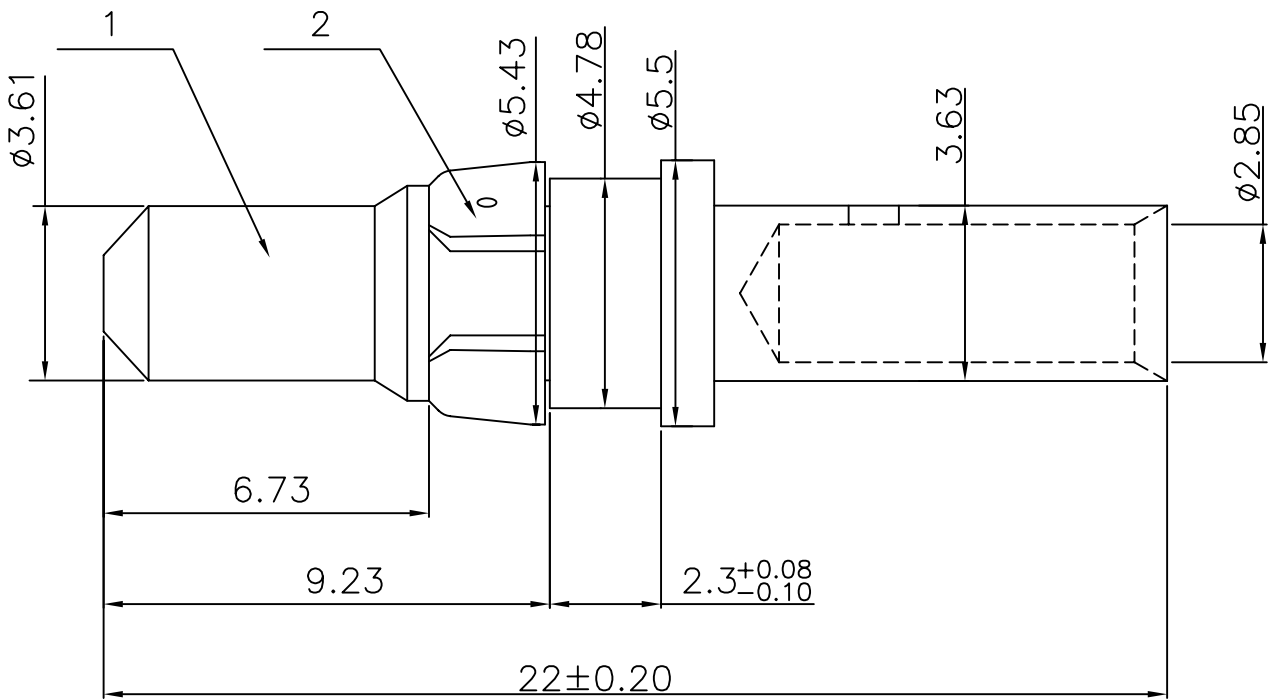


This document is the property of Amphenol Corporation and is delivered on the express condition that it is not to be disclosed, reproduced or used, in whole or in part, for manufacture or sale by anyone other than Amphenol Corporation without its prior consent, & that no right is granted to disclose or to use any information in this document.

REVISIONS				
SYM	ECN	DESCRIPTION	DATE	APPROVED
A		Release part drawing	09/19/07	IP



- Notes:
- Commercial number is L17DM53745207
 - Current rating: 20–30A.



Customer Drawing

2	4P00100	thermoplastic	
1	4W54020R	Brass	0.75um gold over 1.25um nickel
Sequence	Part number	Material	Plating

UNLESS OTHERWISE SPECIFIED TOLERANCES		APPROVAL		DATE
U.S.	METRIC	DRAWN	Checked	
.X +/-	0.20	Lisa.peng	11/06/07	
.XX +/-	0.10	11k.wang	11/06/07	
.XXX +/-	0.05	CHECKED		
FRACTIONS +/-				
ANGLES +/-	2'			
FOR MATERIALS AND FINISHES SEE NOTES		DRAWING FILE : drawing\Deub\4W54020R-A		
REMOVE SHARP EDGES		ANGLE OF PROJECTION		
DIMENSIONS				
U.S.	INCHES			
METRIC	MM			

Amphenol [®]		
TITLE <i>High power contact</i>		
SIZE	DRAWING NO.	REV.
A4	C L17DM53745207C309	1
SCALE	NONE	SHEET 1 OF 1