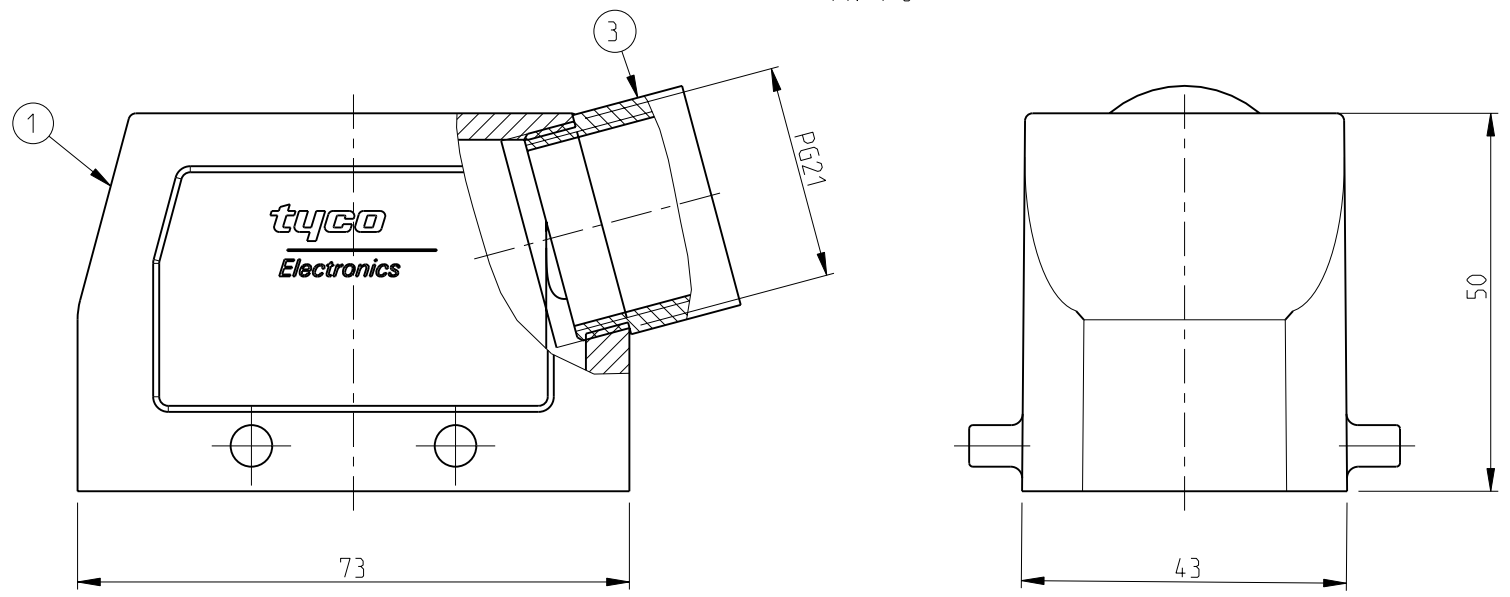


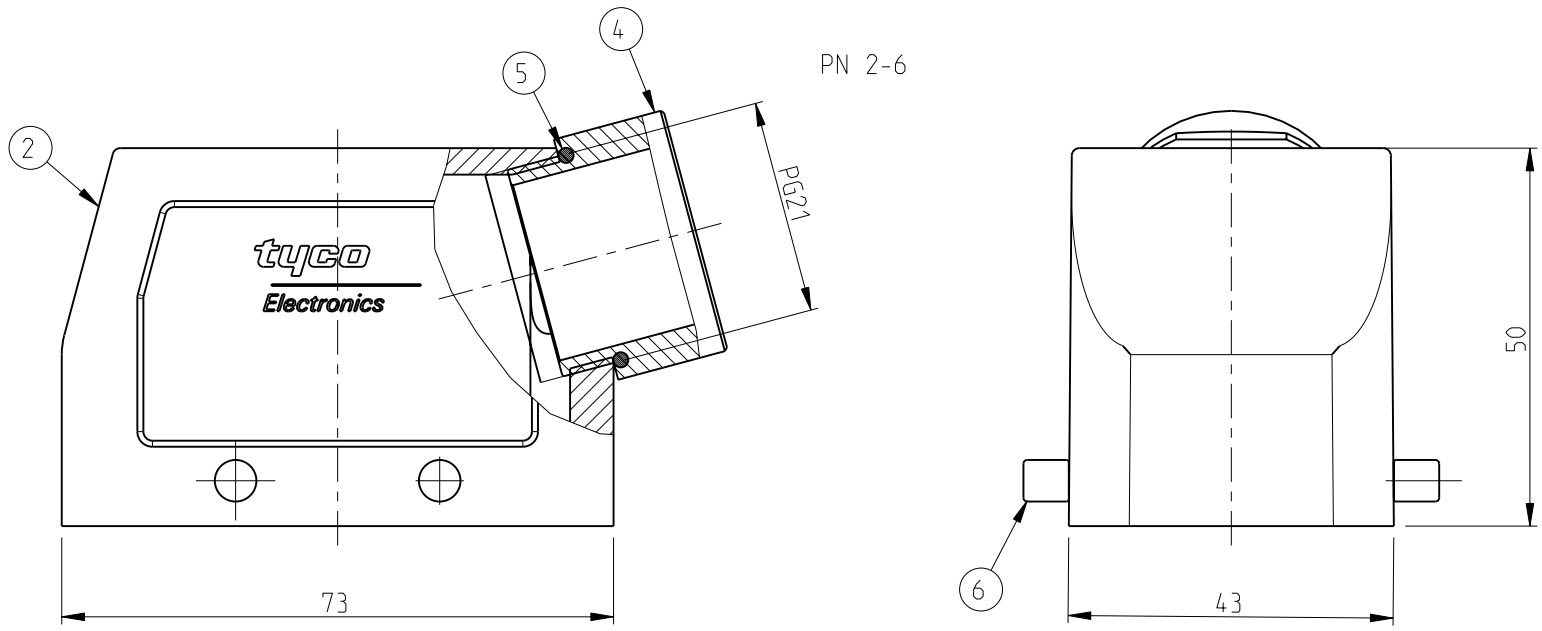
THIS DRAWING IS UNPUBLISHED. RELEASED FOR PUBLICATION .1997
 © COPYRIGHT 1997 BY TYCO ELECTRONICS CORPORATION. ALL RIGHTS RESERVED.

LOC	DIST	REVISIONS					
A1	-	P	LTR	DESCRIPTION	DATE	DWN	APVD
			A3	Released as per ECR-07-030422	17.12.07	SP	TS

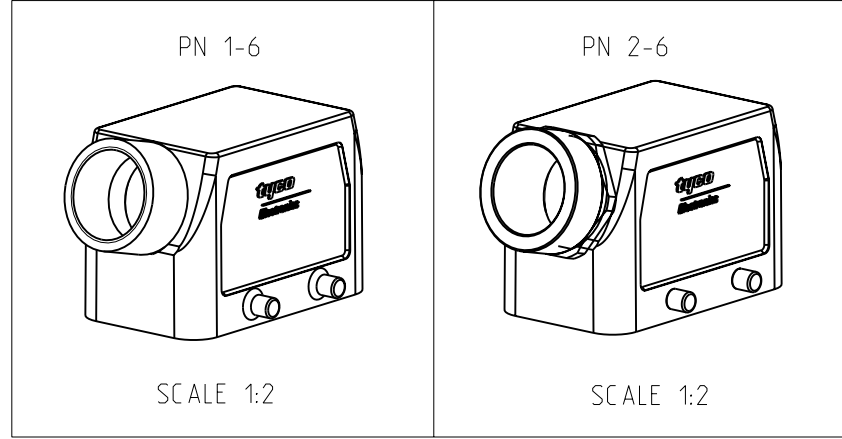
PN 1-6



PN 2-6



- NOTES.
- 1 Material:Housing:Aluminium Diecasting Alloy
 - 2 Surface-Powder Varnish Grey
-Aluminium Oxide +
Varnish Black
 - 3 Varnish on the inside not necessary
 - 4 Packaging
Quantity 5 Pieces in a box



QTY	DESCRIPTION	MATERIAL	SURFACE	COLOR	ITEM NO	REMARKS
4	VS-Clip bolt	Stainless steel	Blank	-	6	
1	O Ring Ø26x2	Neoprene	-	Black	5	
1	6-Kt-Adaptor PG21	Brass	Nickel plated	-	4	
1	Adaptor round PG21	Brass	Nickel plated	-	3	
1	Hood HB.10.PG.1.21	Aluminium	Aluminium oxide	Black	2	
1	Hood HB.10.PG.1.21	Aluminium	-	Grey	1	

ORDERING TEXT
 HB.10.STS.1.21.Z
 HB-K.10.STS.1.21.Z

THIS DRAWING IS A CONTROLLED DOCUMENT FOR TYCO ELECTRONICS CORPORATION IT IS SUBJECT TO CHANGE AND THE CONTROLLING ENGINEERING ORGANIZATION SHOULD BE CONTACTED FOR THE LATEST REVISION.	
DIMENSIONS: mm	TOLERANCES UNLESS OTHERWISE SPECIFIED: n-ISO 2768-mS-E: n-DIN 15901-120
	0 PLC ± 1 PLC ± 2 PLC ± 3 PLC ± 4 PLC ± ANGLES ±
MATERIAL -	FINISH -

DWN Kramer 11.05.98	Tyco Electronics AMP GmbH D-53819,Neunkirchen,Germany	
CHK -	NAME Hood HB.10.STS.1.21.Z	
APVD -	PRODUCT SPEC 114-74004	
PRODUCT SPEC 114-74004	APPLICATION SPEC 108-74003	
WEIGHT -	SIZE A3	CAGE CODE 00779
CUSTOMER DRAWING	DRAWING NO C=1102263	RESTRICTED TO -
SCALE 1:1	SHEET 1 OF 1	REV A3