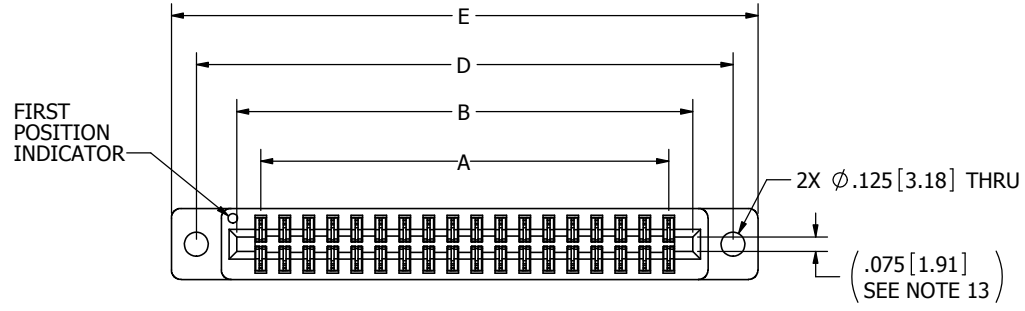
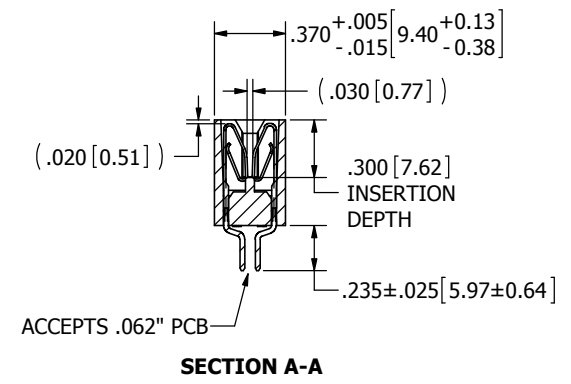
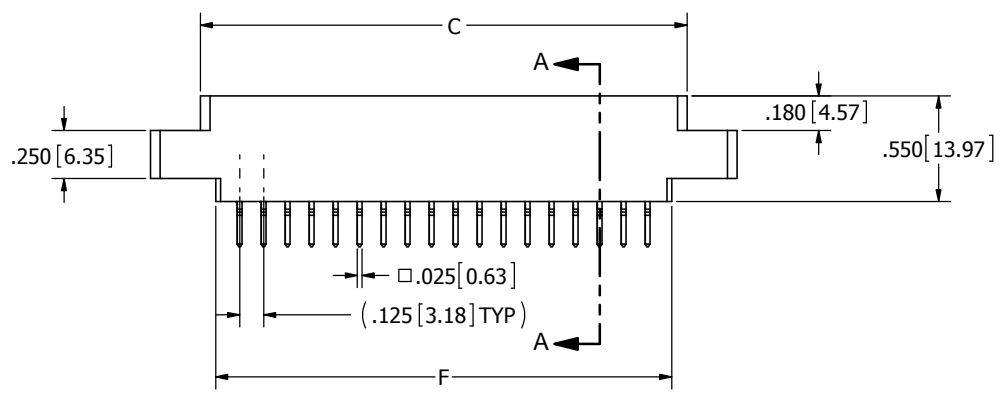


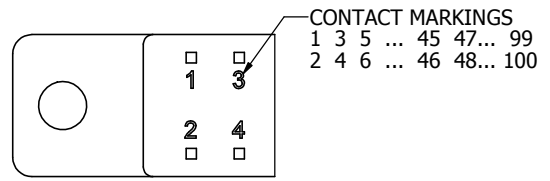
REVISIONS				
REV.	ECO. NO	DESCRIPTION	DATE	BY
A	2899	INITIAL RELEASE	1/17/2014	JHS



PRELIMINARY



__A__ DSSH-S288



CONTACT ID
SCALE 4:1
CONTACTS NOT SHOWN FOR CLARITY

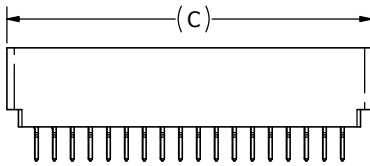
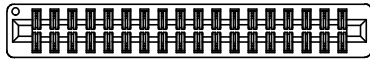
- NOTES:**
- INSULATOR MATERIAL: SEE PART NUMBER CODING
 - CONTACT MATERIAL: SEE PART NUMBER CODING
 - PLATING: SEE PART NUMBER CODING
 - OPERATING TEMPERATURE: SEE PART NUMBER CODING
 - PROCESSING TEMP: SEE PART NUMBER CODING
 - UL FLAMMABILITY RATING: 94V-0
 - OPERATING VOLTAGE: 750 VAC MINIMUM AT SEA LEVEL.
 - CONTACT RATING: 3 AMP
 - CONTACT RESISTANCE: 30 MILLI OHM MAX
 - INSULATION RESISTANCE: 5000 MEGA OHM MIN
 - DURABILITY: 500 CYCLES MIN
 - CONNECTOR IDENTIFICATION: THE PART SHALL BE MARKED WITH A PART NUMBER AND LOT CODE
 - BOARD THICKNESS ACCOMMODATED: .062 ± .008 [1.57 ± 0.20]
 - INSERTION FORCE: 8 OZ MAX PER CONTACT PAIR WHEN USING A .062" TEST BLADE.
 - WITHDRAWAL FORCE: 1 OZ MIN PER CONTACT PAIR USING .062" PCB
 - MODIFICATION: CARD EXTENDER BEND FOR .062" PCB



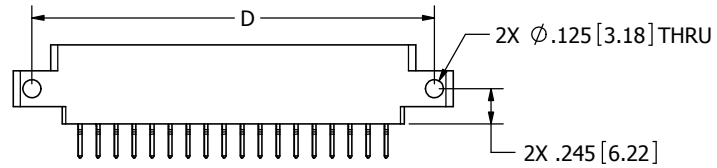
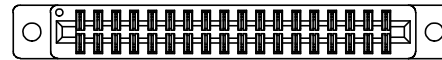
RoHS COMPLIANT

CUSTOMER COPY

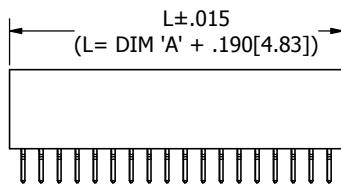
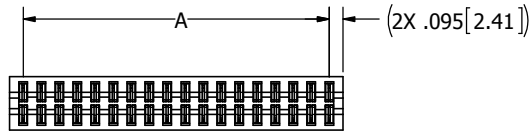
UNLESS OTHERWISE SPECIFIED: DIMENSIONS ARE IN INCHES [MM]		DRAWN	DATE	NAME	
TOLERANCES: ANGULAR: ± 30' XX=± .02 [5] XXX=± .005 [13] XXXX=± .0005 [013]		JH	6/24/2011	JH	
<small>THE INFORMATION HEREIN CONTAINS PROPRIETARY INFORMATION OF SULLINS ELECTRONICS AND IS NOT TO BE REPRODUCED, USED OR DISCLOSED TO OTHERS FOR ANY PURPOSE EXCEPT AS SPECIFICALLY AUTHORIZED IN WRITING BY AN OFFICER OF SULLINS ELECTRONICS.</small>					TITLE
INTERPRET DIMENSIONS AND TOLERANCING PER: ASME Y14.5M-2009					EDGE CARD .125" PITCH, HP
					PART NUMBER
SIZE CAGE CODE DWG. NO. REV					__A__ DSS -S288
SCALE: 2:1					C12338 A
					SHEET 1 OF 3



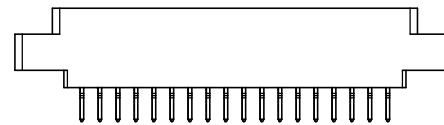
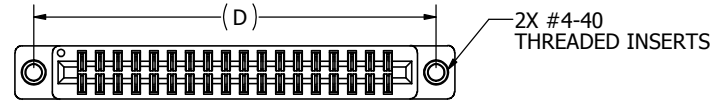
__A__ DSSN-S288



__A__ DSSS-S288



__A__ DSSB-S288



__A__ DSSI-S288

CUSTOMER COPY



RoHS COMPLIANT

UNLESS OTHERWISE SPECIFIED: DIMENSIONS ARE IN INCHES (MM)		DRAWN	DATE	NAME		
TOLERANCES: ANGULAR: ± 30° .XX=± .02 [5] .XXX=± .005 [13] .XXXX=± .0005 [013]			6/24/2011	JH		TITLE EDGECARD .125" PITCH, HP
INTERPRET DIMENSIONS AND TOLERANCING PER: ASME Y14.5M-2009		THE INFORMATION HEREIN CONTAINS PROPRIETARY INFORMATION OF SULLINS ELECTRONICS AND IS NOT TO BE REPRODUCED, USED OR DISCLOSED TO OTHERS FOR ANY PURPOSE EXCEPT AS SPECIFICALLY AUTHORIZED IN WRITING BY AN OFFICER OF SULLINS ELECTRONICS.			PART NUMBER __A__ DSS -S288	
		SIZE	CAGE CODE	DWG. NO.	REV	
		C	54453	C12338	A	
		SCALE: 1.5:1		SHEET 2 OF 3		

PART NUMBER	A±.008[0.20]		B±.008[0.20]		C±.015[0.38]		D±.010[0.25]		E±.020[0.51]		F±.015[0.38]	
	INCH	MM	INCH	MM	INCH	MM	INCH	MM	INCH	MM	INCH	MM
A06DSS -S288	0.625	15.88	0.875	22.23	1.035	26.29	1.295	32.89	1.555	39.50	0.875	22.23
A10DSS -S288	1.125	28.58	1.375	34.93	1.535	38.99	1.795	45.59	2.055	52.20	1.375	34.93
A14DSS -S288	1.625	41.28	1.875	47.63	2.035	51.69	2.295	58.29	2.555	64.90	1.875	47.63
A15DSS -S288	1.750	44.45	2.000	50.80	2.160	54.86	2.420	61.47	2.680	68.07	2.000	50.80
A18DSS -S288	2.125	53.98	2.375	60.33	2.535	64.39	2.795	70.99	3.055	77.60	2.375	60.33
A22DSS -S288	2.625	66.68	2.875	73.03	3.035	77.09	3.295	83.69	3.555	90.30	2.875	73.03
A24DSS -S288	2.875	73.03	3.125	79.38	3.285	83.44	3.545	90.04	3.805	96.65	3.125	79.38
A25DSS -S288	3.000	76.20	3.250	82.55	3.410	86.61	3.670	93.22	3.930	99.82	3.250	82.55
A28DSS -S288	3.375	85.73	3.625	92.08	3.785	96.14	4.045	102.74	4.305	109.35	3.625	92.08
A30DSS -S288	3.625	92.08	3.875	98.43	4.035	102.49	4.295	109.09	4.555	115.70	3.875	98.43
A31DSS -S288	3.750	95.25	4.000	101.60	4.160	105.66	4.420	112.27	4.680	118.87	4.000	101.60
A32DSS -S288	3.875	98.43	4.125	104.78	4.285	108.84	4.545	115.44	4.805	122.05	4.125	104.78
A35DSS -S288	4.250	107.95	4.500	114.30	4.660	118.36	4.920	124.97	5.180	131.57	4.500	114.30
A36DSS -S288	4.375	111.13	4.625	117.48	4.785	121.54	5.045	128.14	5.305	134.75	4.625	117.48
A40DSS -S288	4.875	123.83	5.125	130.18	5.285	134.24	5.545	140.84	5.805	147.45	5.125	130.18
A43DSS -S288	5.250	133.35	5.500	139.70	5.660	143.76	5.920	150.37	6.180	156.97	5.500	139.70
A44DSS -S288	5.375	136.53	5.625	142.88	5.785	146.94	6.045	153.54	6.305	160.15	5.625	142.88
A49DSS -S288	6.000	152.40	6.250	158.75	6.410	162.81	6.670	169.42	6.930	176.02	6.250	158.75
A50DSS -S288	6.125	155.58	6.375	161.93	6.535	165.99	6.795	172.59	7.055	179.20	6.375	161.93

PART NUMBER CODING

A DSS - S288

MATERIALS (INSULATOR / CONTACT)

- E = PBT/PHOSPHOR BRONZE**
OPERATING TEMP: -65°C TO +125°C
PROCESSING TEMP: WAVE/MANUAL SOLDER
- R = PPS/PHOSPHOR BRONZE**
OPERATING TEMP: -65°C TO +125°C
PROCESSING TEMP: 260°C FOR 120 SECS MAX
- G = PA9T/PHOSPHOR BRONZE**
OPERATING TEMP: -65°C TO +125°C
PROCESSING TEMP: 260°C FOR 20 SECS MAX
- H = PBT/BERYLLIUM COPPER**
OPERATING TEMP: -65°C TO +125°C
PROCESSING TEMP: WAVE/MANUAL SOLDER
- A = PPS/BERYLLIUM COPPER**
OPERATING TEMP: -65°C TO +150°C
PROCESSING TEMP: 260°C FOR 120 SECS MAX
- J = PA9T/BERYLLIUM COPPER**
OPERATING TEMP: -65°C TO +150°C
PROCESSING TEMP: 260°C FOR 20 SECS MAX
(CONSULT FACTORY FOR OTHER MATERIALS)

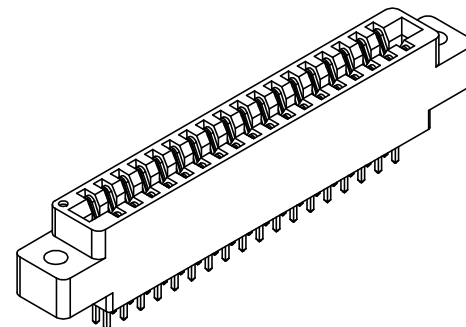
MOUNTING STYLE

- H = .125" DIA. CLEARANCE HOLES (PAGE 1)
- I = #4-40 THREADED INSERT (PAGE 2)
- S = .125" DIA. SIDE MOUNTING (PAGE 2)
- N = NO MOUNTING EARS (PAGE 2)
- B = OPEN CARDSLOT(PAGE 2)

NUMBER OF POSITIONS
(CONTACTS PER ROW)

PLATING

- ALL PLATINGS ARE LEAD FREE AND HAVE .000050" NICKEL UNDERPLATE
- | | |
|--|--------------------------|
| CONTACT SURFACE | TERMINATION |
| B = .000010" GOLD | .000100" PURE TIN, MATTE |
| C = .000030" GOLD | .000100" PURE TIN, MATTE |
| S = .000010" GOLD | .000010" GOLD OVERALL |
| M = .000030" GOLD | .000010" GOLD OVERALL |
| ** E = .000100" PURE TIN, MATTE, OVERALL | |
| G = .000010 GOLD | .000005" GOLD |
| Y = .000030" GOLD | .000005" GOLD |
- ** OVERALL PURE TIN ONLY AVAILABLE ON MATERIAL CODES E, R AND G



CUSTOMER COPY



RoHS COMPLIANT

UNLESS OTHERWISE SPECIFIED: DIMENSIONS ARE IN INCHES (MM)		DRAWN	DATE	NAME	
TOLERANCES: ANGULAR: ± 30° XX=± .02 [5] XXX=± .005 [13] XXXX=± .0005 [013]			6/24/2011	JH	
<small>THE INFORMATION HEREIN CONTAINS PROPRIETARY INFORMATION OF SULLINS ELECTRONICS AND IS NOT TO BE REPRODUCED, USED OR DISCLOSED TO OTHERS FOR ANY PURPOSE EXCEPT AS SPECIFICALLY AUTHORIZED IN WRITING BY AN OFFICER OF SULLINS ELECTRONICS.</small>					TITLE
INTERPRET DIMENSIONS AND TOLERANCING PER: ASME Y14.5M-2009					EDGE CARD .125" PITCH, HP
					PART NUMBER
					_ _ A _ _ DSS _ -S288
SIZE	CAGE CODE	DWG. NO.	REV		
C	54453	C12338	A		
SCALE: 2:1					SHEET 3 OF 3