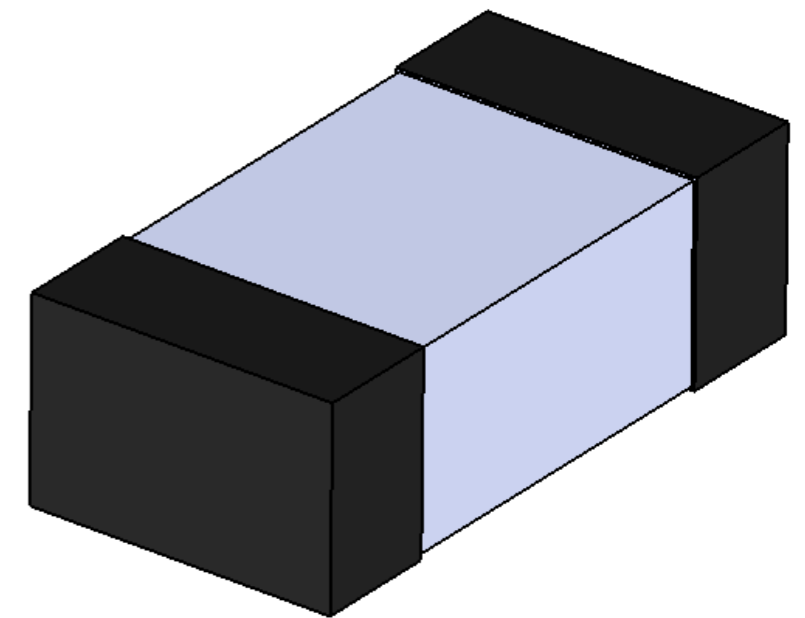
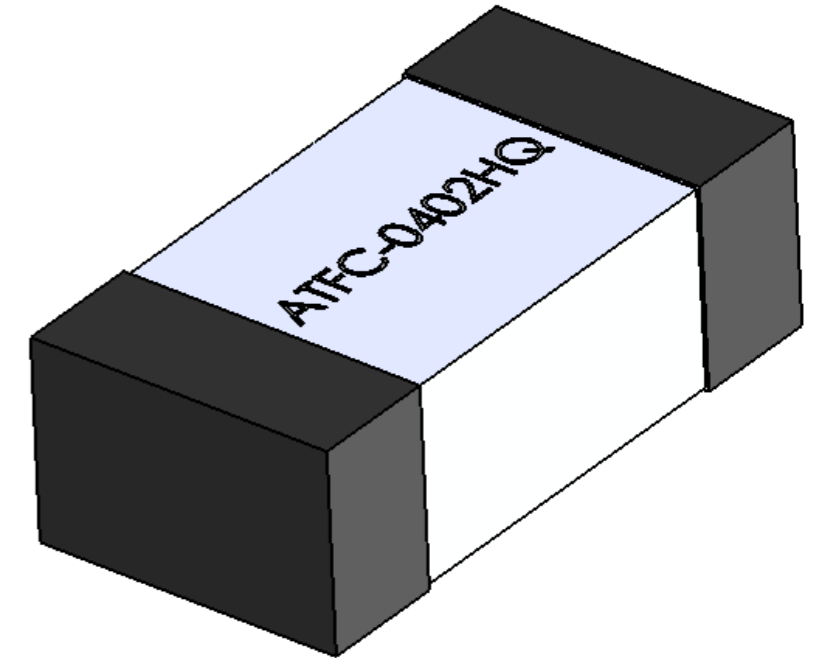
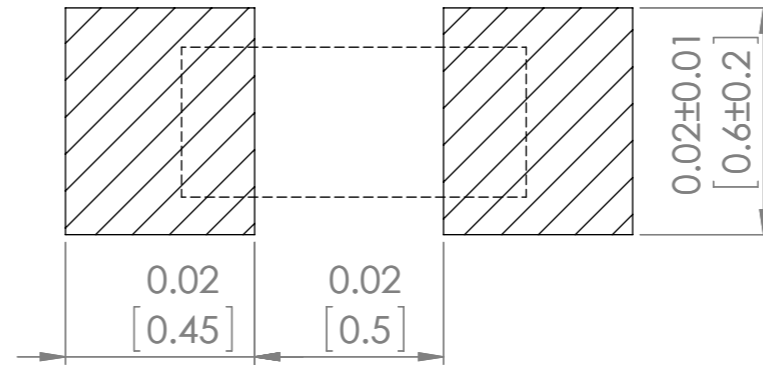
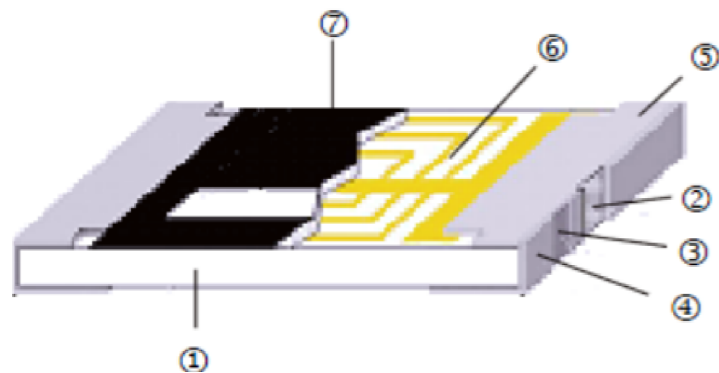



Recommended Land Pattern



No.	Material
1	Alumina Substrate
2	Inner Electrode (Ni-Cr)
3	Barrier Layer (Ni)
4	External Electrode (Sn)
5	Edge Electrode
6	Cu Circuits
7	Overcoat



UNLESS OTHERWISE SPECIFIED: DIMENSIONS ARE IN MM SURFACE FINISH: TOLERANCES: LINEAR: ANGULAR:				FINISH:	DEBUR AND BREAK SHARP EDGES	DO NOT SCALE DRAWING	REVISION
DRAWN SAAZVAT				SIGNATURE	DATE	 30332 Esperanza, Rancho Santa margarita, California 92688	
CHK'D XXXXXX						TITLE: Thin Film	
APPV'D						DWG NO. ATFC-0402HQ	
MFG						A3	
Q.A				MATERIAL:		SCALE: 100:1	
				WEIGHT: 0.00		SHEET 1 OF 1	