

MWZ series

Waterproof snap-action micro switches

Distinctive features and specifications



- IP67 sealed
- UL certified
- 1 million mechanical lifecycles
- Ideal for adverse environment applications
- Optional sealed wire outlet available

ENVIRONMENTAL SPECIFICATIONS

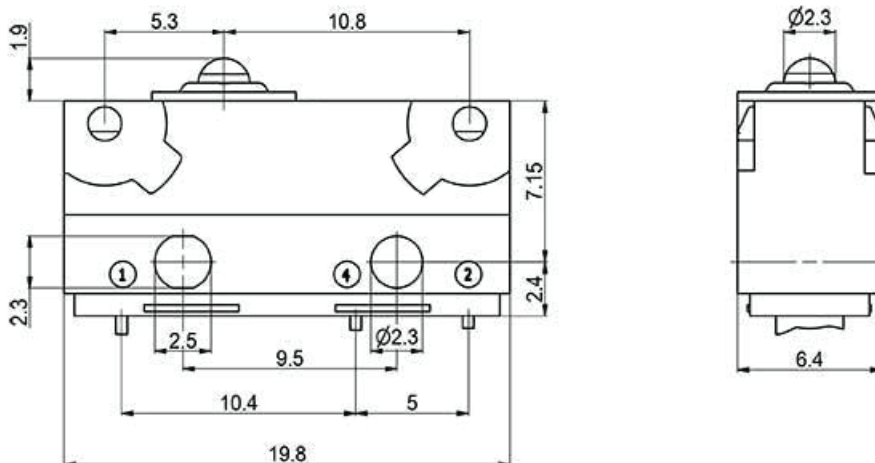
Housing	–	PA66-FR50
Cover	–	PA66-FR50
Actuator	–	PBT
Actuator sealing	–	Methyl Vinyl Silicone rubber
Terminals	–	CuZn AG plated
Contacts	–	AgNi - Silver nickel
Contact spring	–	Stainless steel
Contact sealing	–	Epoxy resin

ELECTRICAL SPECIFICATIONS

Rating	–	5(2)A 125/250VAC
Electrical lifecycle	–	Minimum: 50,000 cycles

GENERAL SPECIFICATIONS

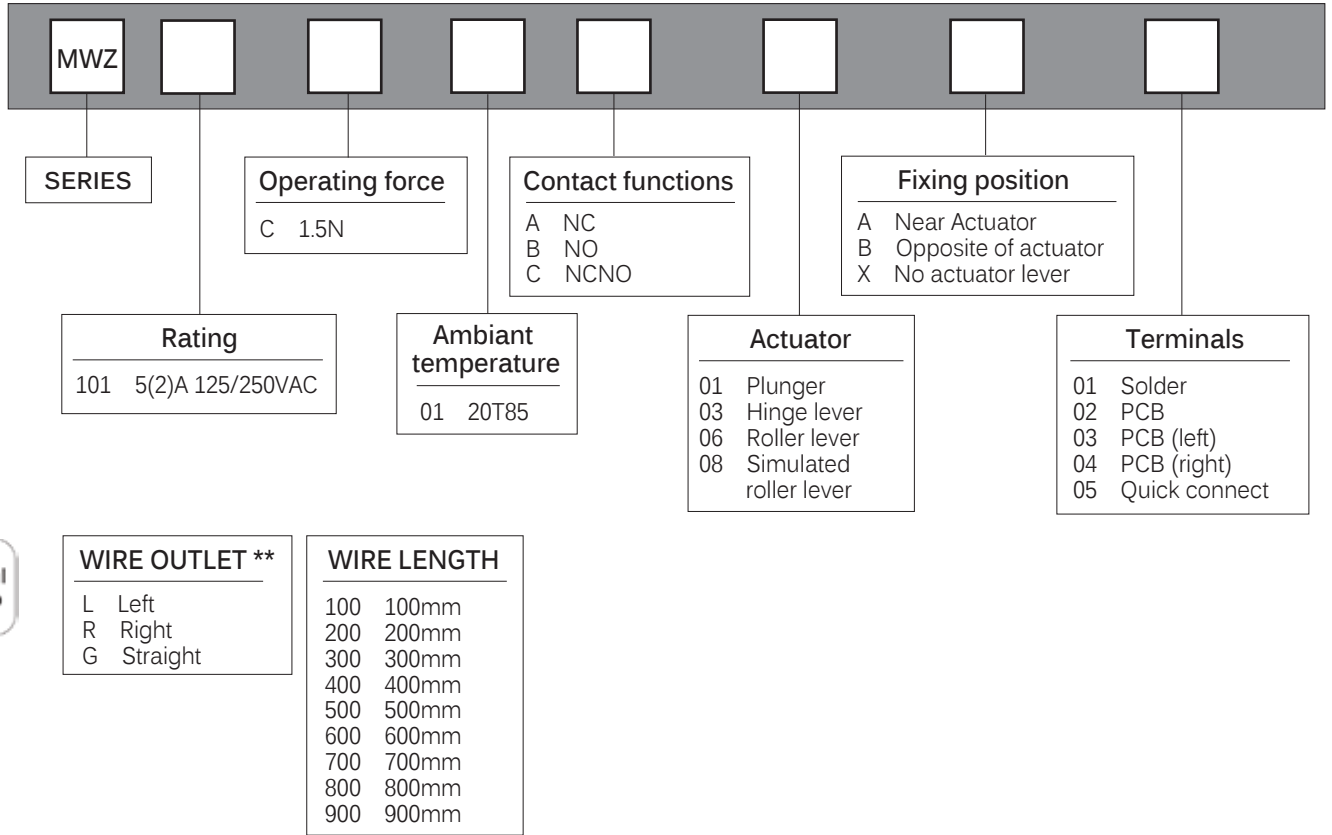
Operating temperature	–	-40°C to +85°C (-40°F to +185°F)
Sealing	–	IP67
Contact opening	–	<3 mm (.118in)
Typical operating force	–	1.5N
Mechanical lifecycle	–	Minimum: 1 million cycles



MWZ series

Waterproof snap-action micro switches

Overview



NOTES: Standard wire colors are: Common = White; Normally closed = Red; Normally open = Black
** Only Solder terminal option available when choosing **optional** WIRE OUTLET.



Sealed to IP67 - protected against dust and liquid ingress



Packaging units:
With wires (bags): 20 to 100 pieces per bag (depending on quantity & length of wire).
Without wires (tray): 100 pieces per tray.



Note: The company reserves the right to change specifications without notice.

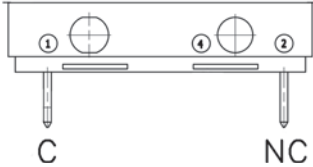
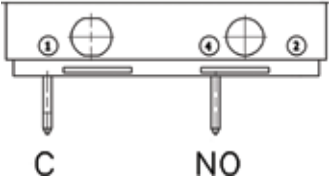
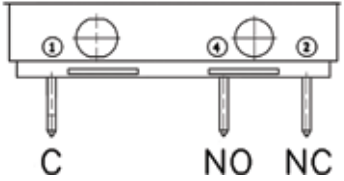
www.apem.com

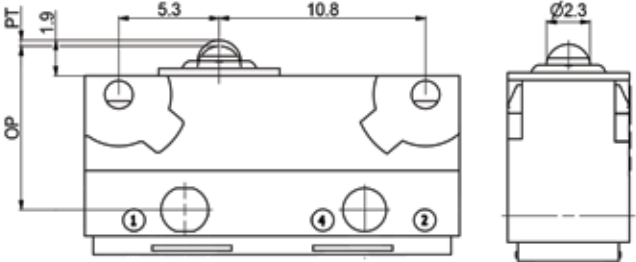
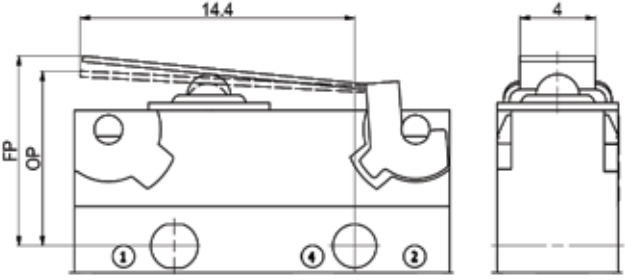
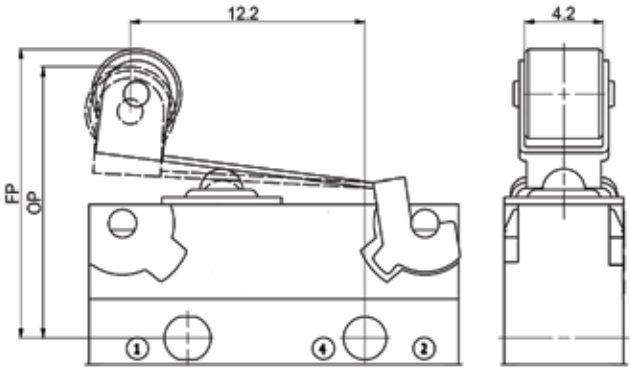
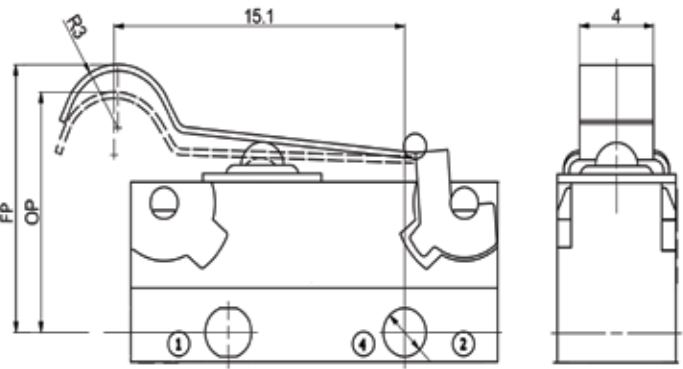
APEM

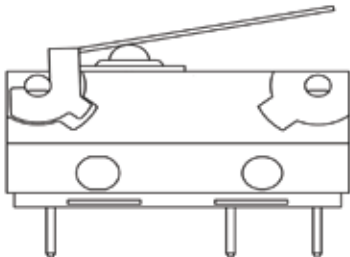
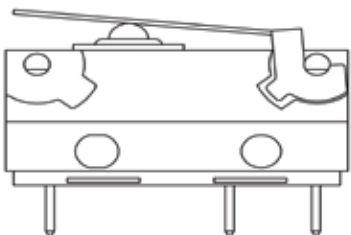
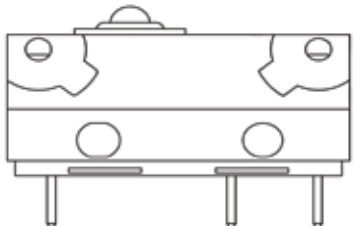
MWZ series

Waterproof snap-action micro switches

Dimensional drawings and option detail

CONTACT FUNCTIONS		
A - NORMALLY CLOSED	B - NORMALLY OPEN	C - NORMALLY CLOSED / NORMALLY OPEN
		

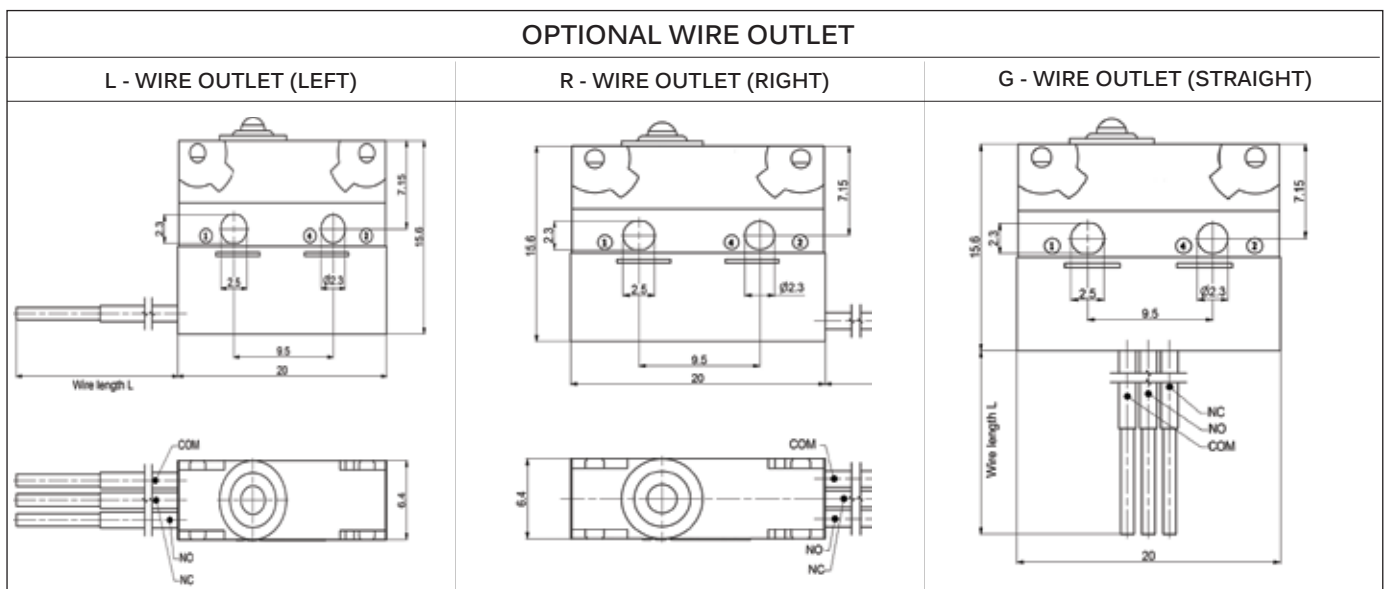
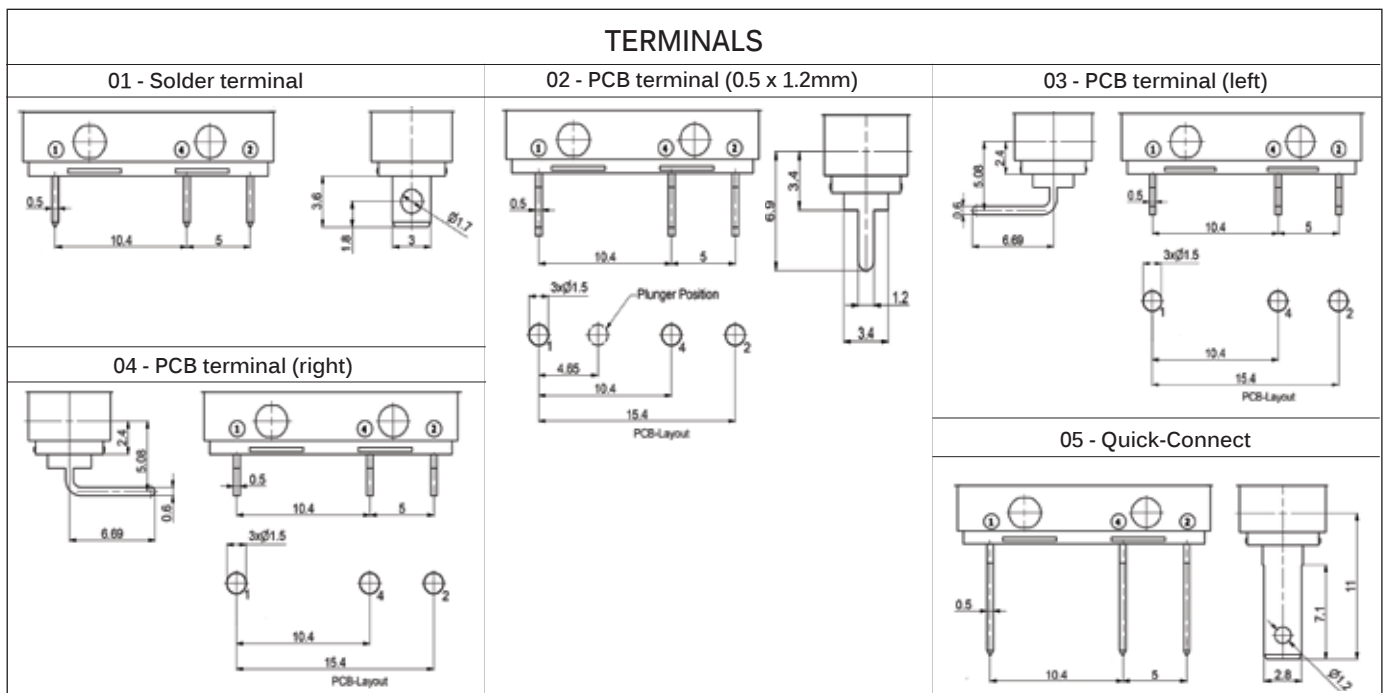
ACTUATORS	
01 - Plunger	03 - Hinge lever
	
06 - Roller lever	08 - Simulated roller lever
	

FIXING POSITION		
A - Near actuator	B - Opposite of actuator	X - No actuator lever
		

MWZ series

Waterproof snap-action micro switches

Additional wiring options



TRAVEL TABLE

MWZ	Actuator code	Actuator Length	Operating Force on lever ($\leq N$)	Pretravel (mm)	Overtravel (min. mm)	Movement differential ($\geq mm$)
Plunger (Standard)	01	-	-	0.8	0.4	0.1
NEAR ACTUATOR FIXED						
Hinge Lever	03	14.4	0.55	-	1.0	0.6
Roller Lever (long)	06	12.2	0.60	-	1.0	0.4
Simulated Roller Lever	08	15.1	0.50	-	1.0	0.6
OPPOSITE ACTUATOR FIXED						
Hinge Lever	03	14.4	1.05	-	0.8	0.4
Roller Lever (long)	06	12.2	1.20	-	0.6	0.4
Simulated Roller Lever	08	15.1	1.00	-	0.8	0.4