

1 2 3 4 5 6

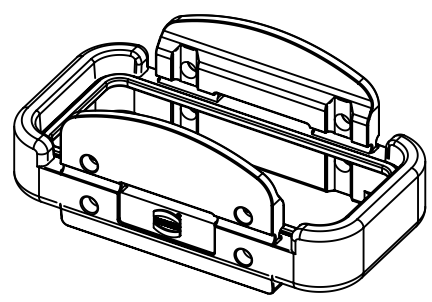
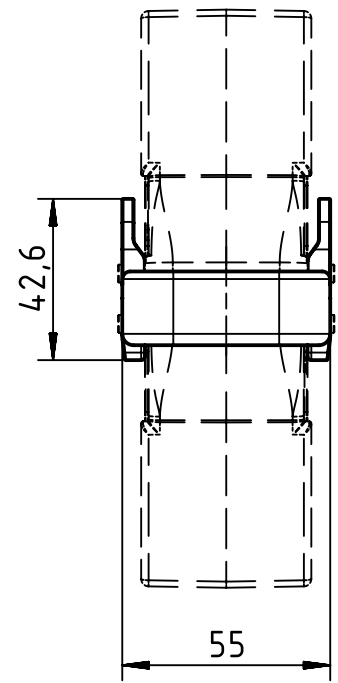
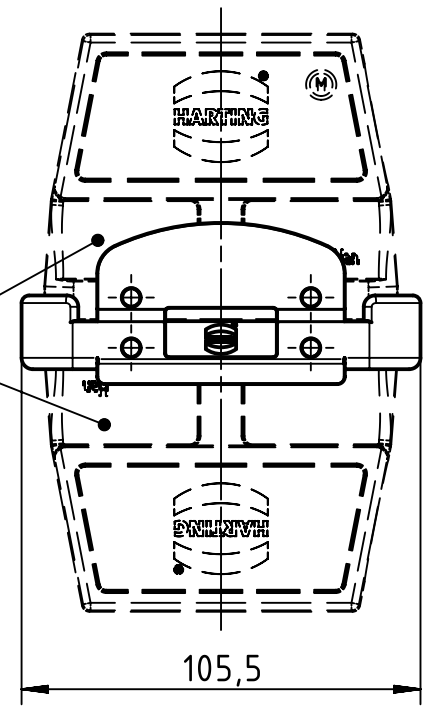
A


B

C

D

for Han B standard hoods
with 2 lever locking system



| | | | | | | | |
|---|--|----------------------------|---------------------------|---------------------------|-----------------------------|--|------------------------|
|  | All Dimensions in mm Original Size DIN A4 | | Scale 1:2 | Free size tol. | | Ref. | |
| | All rights reserved Department EL PD - DE | | Created by RULLKOETTER | Inspected by SCHNIEDER | Standardisation TIEMANNA | Date 2013-11-13 | State Final Release |
| HARTING Electric GmbH & Co. KG D-32339 Espelkamp | | Title Han Hood Link 16B | | | | Doc-Key / ECM-Nr. 100544716/UGD/001/A 500000065052 | |
| | | Type TB | Number 09 30 016 9901 | | | Rev. A | Page 1/1 |