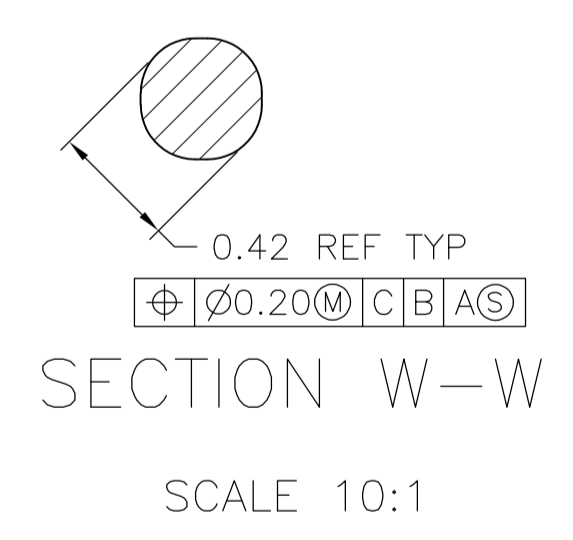
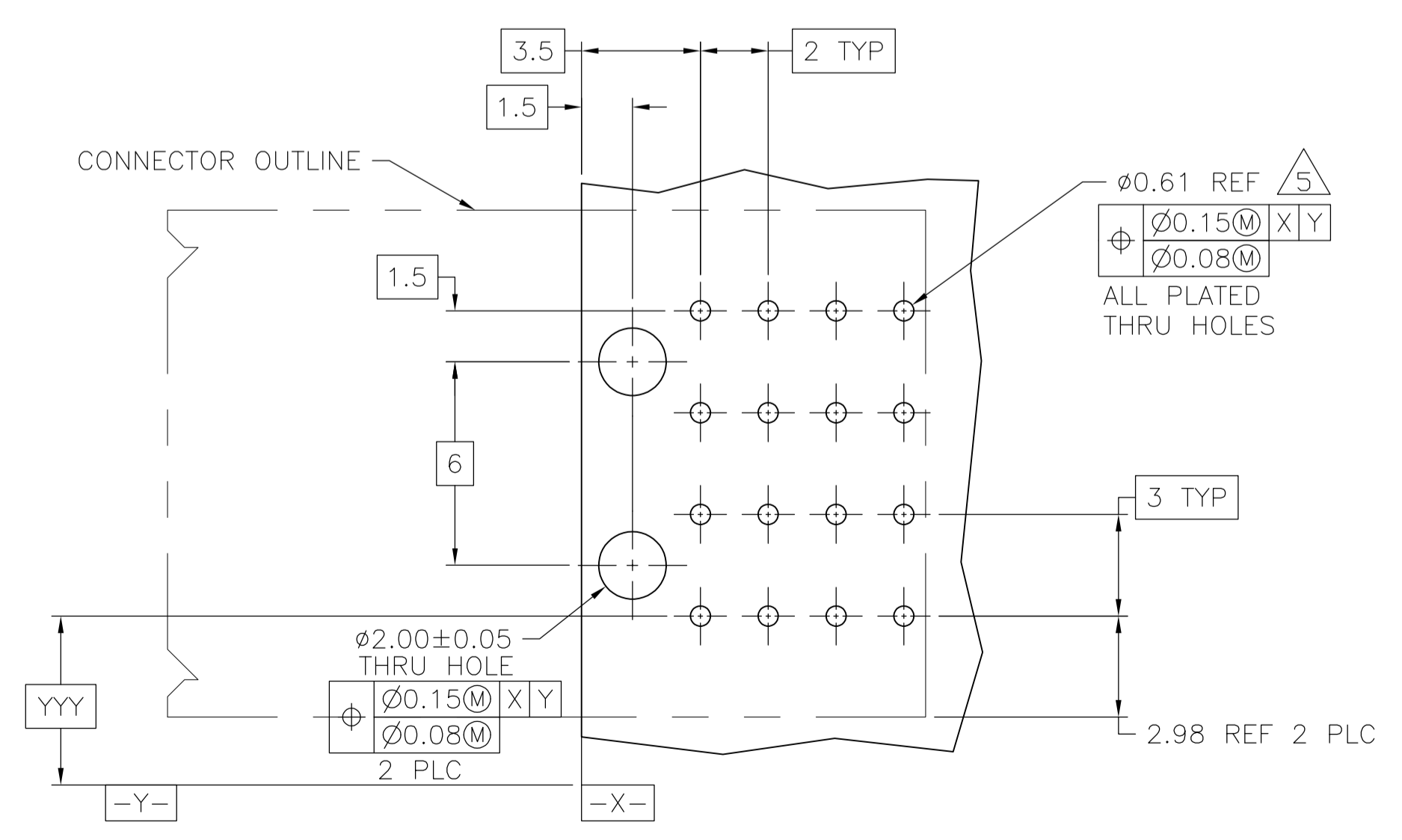
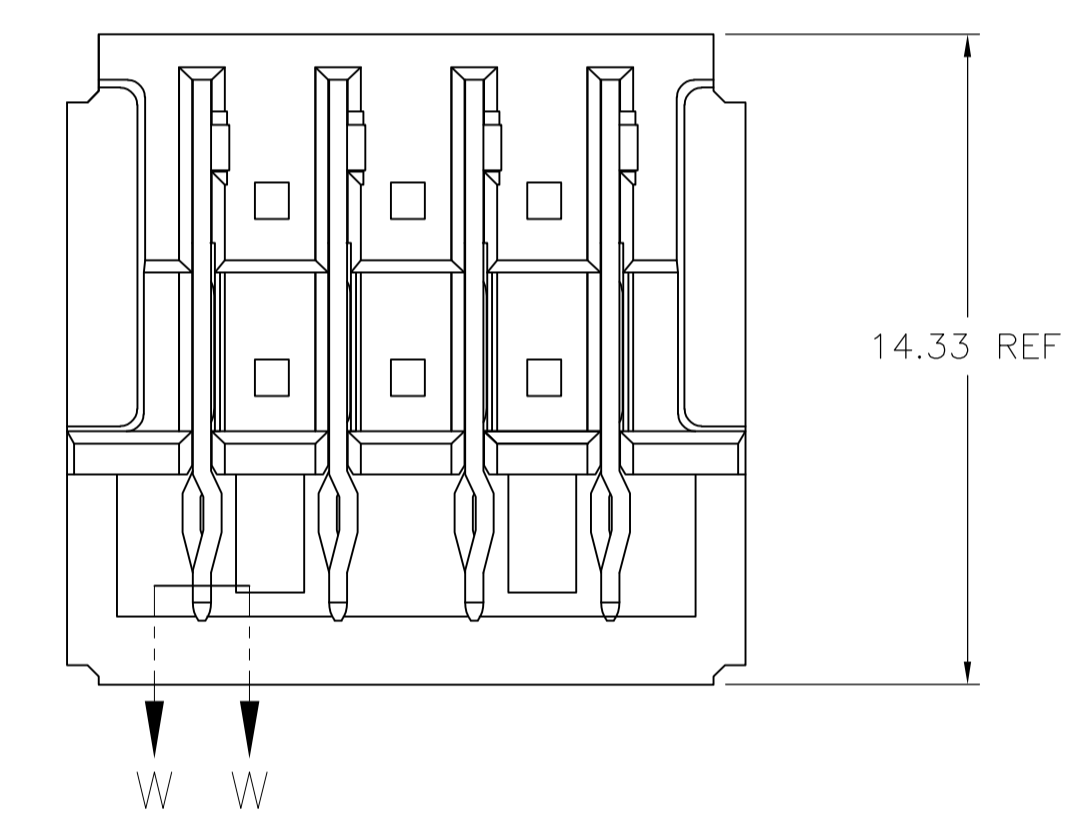
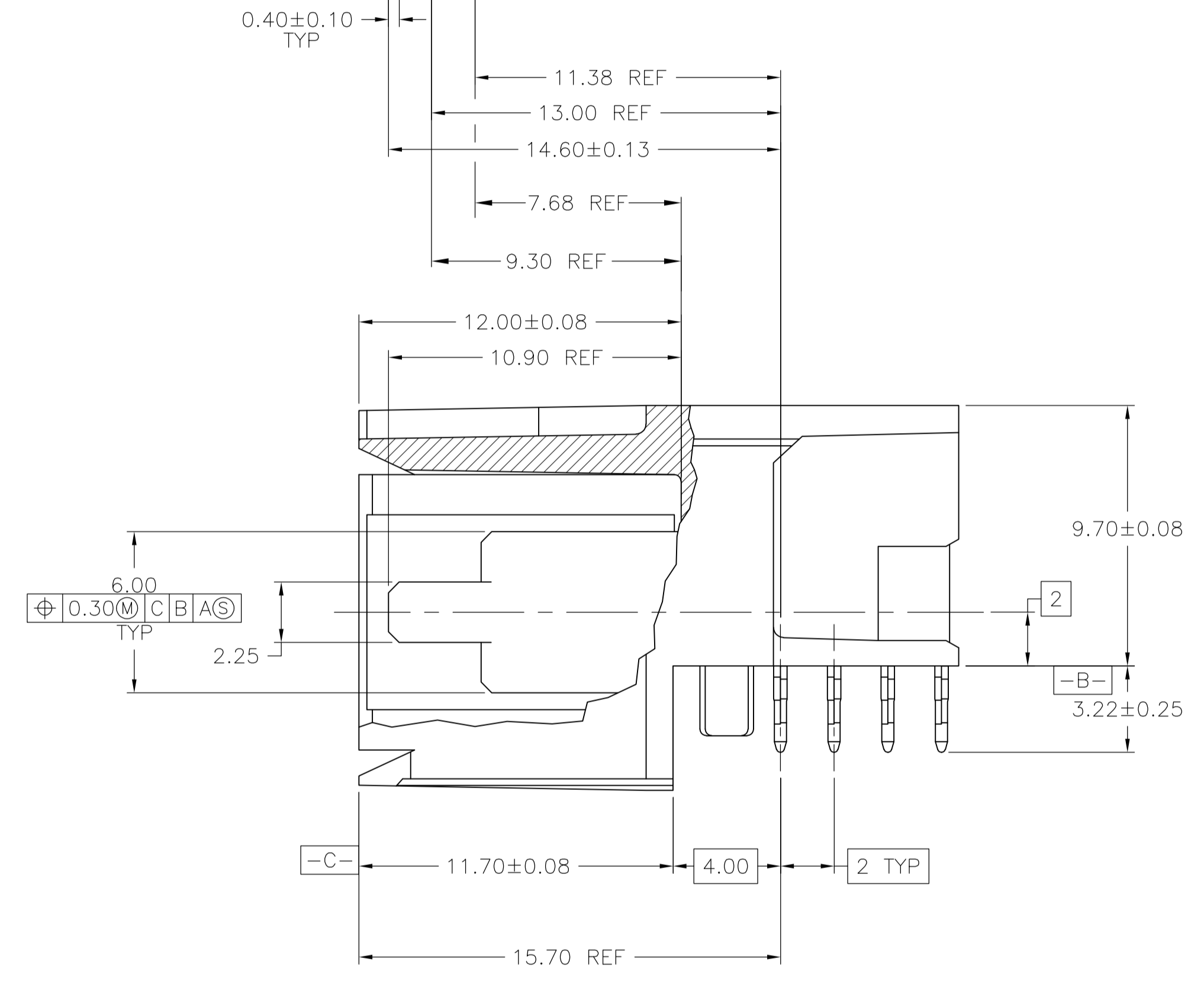
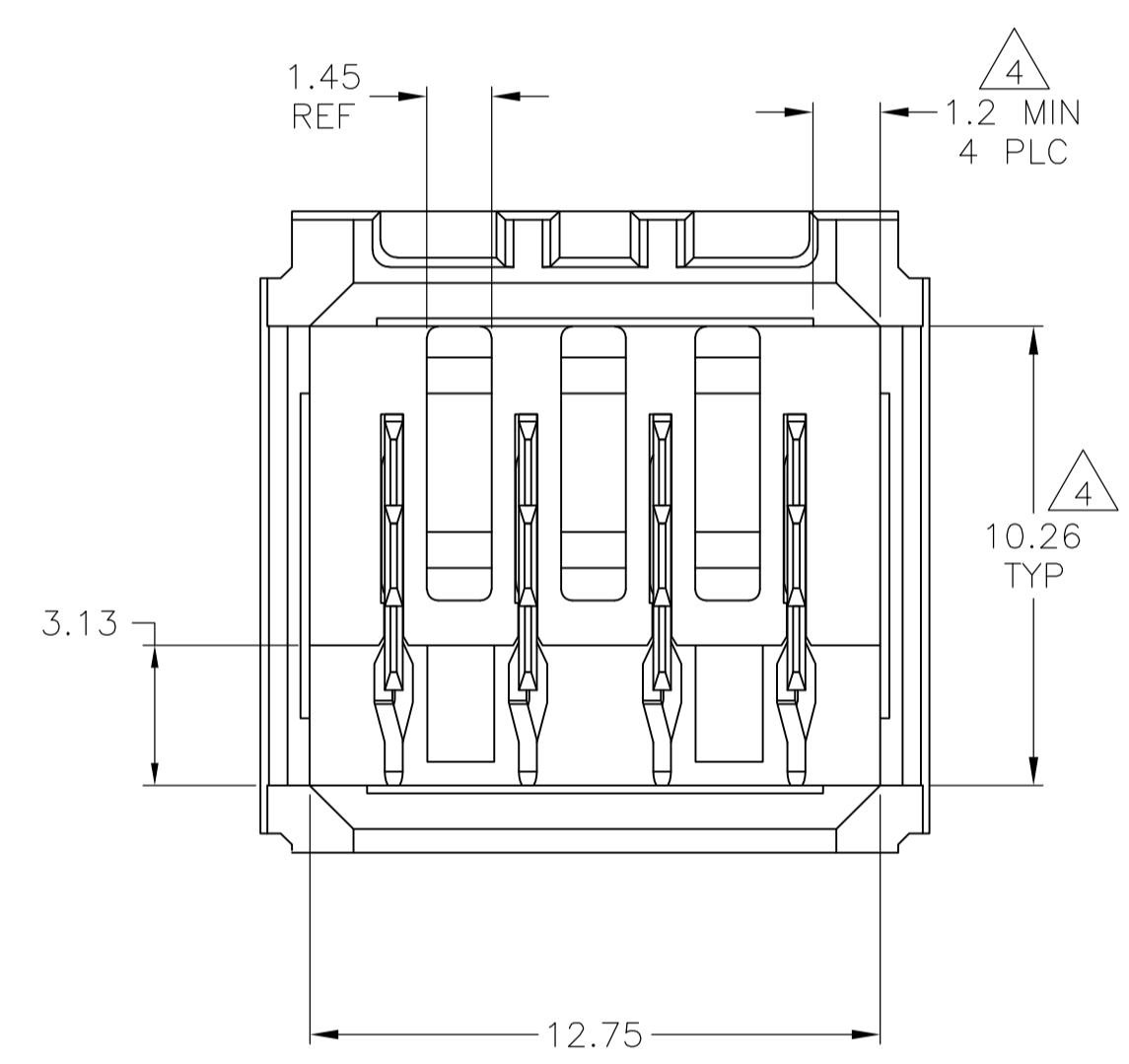


- 1 MATERIAL: HOUSING: POLYESTER, GRAY. UL 94V-0. CONTACT: HIGH CURRENT COPPER ALLOY.
- 2 FINISH: CONTACT MATING AREA: 1.27 μ m MIN GOLD OR 0.08 μ m MIN GOLD OVER 0.76 μ m MIN PALLADIUM-NICKEL. ACTION PIN AREA: 0.54 μ m MIN TIN LEAD PLATE, ALL OVER 1.27 μ m MIN NICKEL UNDERPLATE.
- 3 FINISH: CONTACT LUBRICATION WITH BELLCORE APPROVED LUBRICANT. TECHNICAL REFERENCE: TR-NWT-001217 ISSUE 1, SEPT 1992.
- 4 THE 10.26 \pm 0.13 DIMENSION APPLIES IN THIS AREA.
- 5 REFERENCE APPLICATION SPEC 114-1103 FOR RECOMMENDED PLATED THRU HOLE DIAMETER AND PLATING THICKNESSES.
- 6 CURRENT RATING 16A/CONTACT PER PRODUCT SPEC 108-1651.



C,D	A,B	-	4	1645501-1
POSITIONS LOADED WITH 10.90 REF CONTACTS	POSITIONS LOADED WITH 9.30 REF CONTACTS	POSITIONS LOADED WITH 7.68 REF CONTACTS	NO OF LOADED POSITIONS	PART NUMBER
THIS DRAWING IS A CONTROLLED DOCUMENT.		DIN D.HUMBERT 13APR2009 CHK G.GRIFFITH 14APR2009 APVD G.GRIFFITH 14APR2009 NAME Tyco Electronics Corporation Harrisburg, Pa 17105-3608 Tyco Electronics		
DIMENSIONS: mm TOLERANCES UNLESS OTHERWISE SPECIFIED: 0 PLC \pm - 1 PLC \pm - 2 PLC \pm 0.13 3 PLC \pm 0.13 4 PLC \pm - ANGLES \pm -		PRODUCT SPEC APPLICATION SPEC WEIGHT SIZE CAGE CODE DRAWING NO A1 00779 C=1645501 RESTRICTED TO		
MATERIAL 1		FINISH 2 3		
CUSTOMER DRAWING		SCALE 6:1 SHEET 1 OF 1 REV B		

RECOMMENDED PCB HOLE LAYOUT