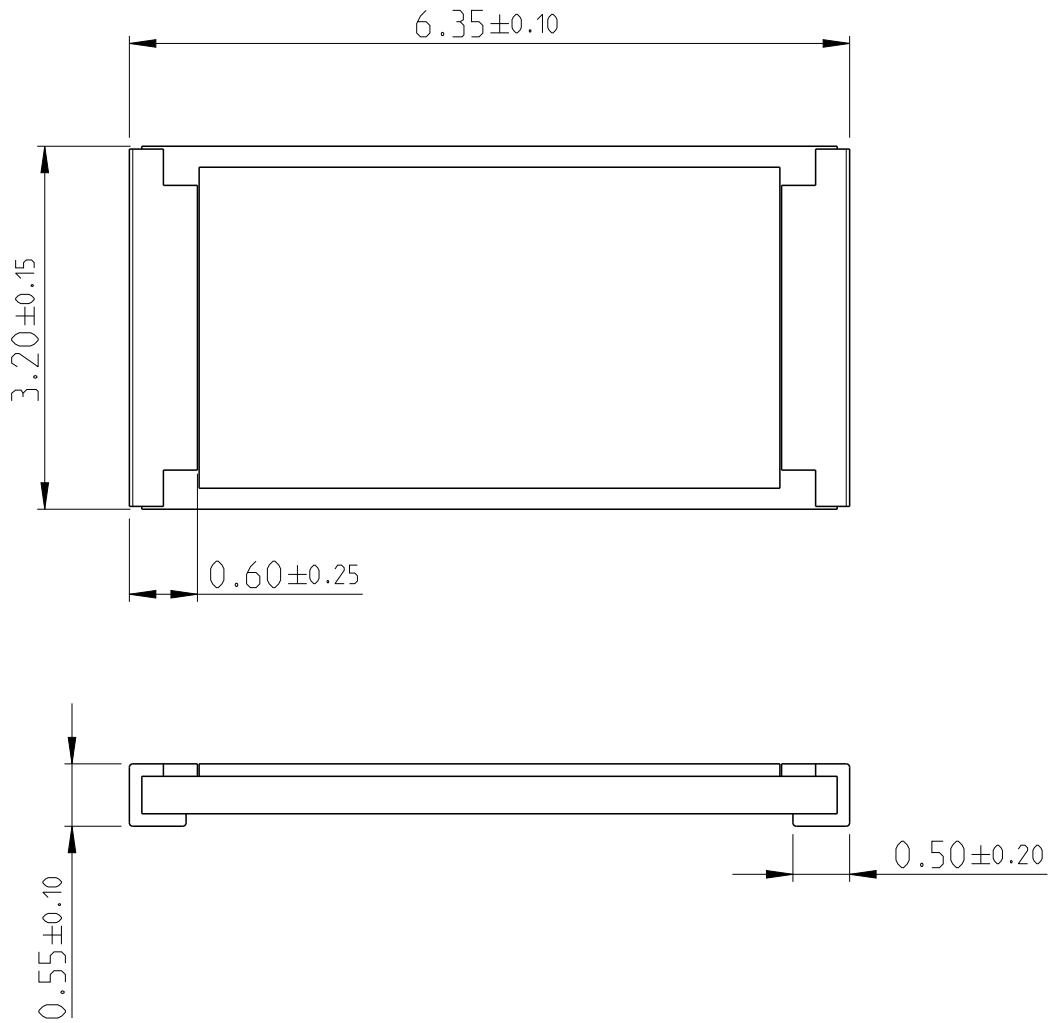
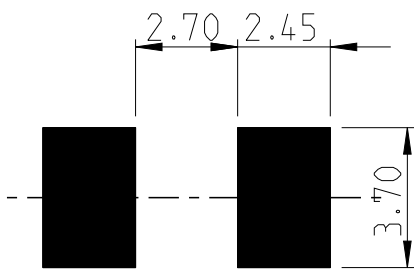


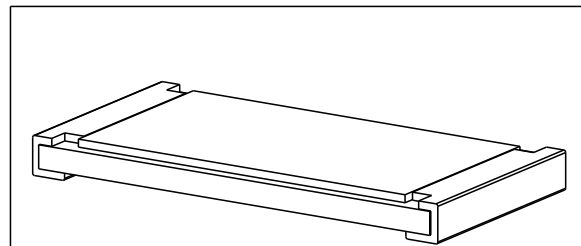
LOC	DIST	REVISIONS					
-	-	P	LTR	DESCRIPTION	DATE	DWN	APVD
		BC		ECR-16-000788	18JAN2016	KR	TN



FOR FURTHER INFORMATION SEE PRODUCT SPECIFICATION FOR CRGH SERIES




RoHS Compliant



PCB LAYOUT PLAN

20
 RELEASED FOR PUBLICATION
 ALL RIGHTS RESERVED.
 BY -
 COPYRIGHT 20

DIMENSIONS:	DWN	27JUN2012	MATERIAL	FINISH				
mm	RAGHAVENDRA K		-	-				
TOLERANCES UNLESS OTHERWISE SPECIFIED:	CHK	27JUN2012	 TE Connectivity					
0 PLC ±	ALLAN P							
1 PLC ±0.5	APVD	27JUN2012	NAME SMD POWER RESISTORS - TYPE CRGH2512 SERIES					
2 PLC ±0.13	TONY N							
3 PLC ±0.013	PRODUCT SPEC		SIZE	CAGE CODE	DRAWING NO	RESTRICTED TO		
4 PLC ±0.0001	APPLICATION SPEC		A 4	00779	C-1879525	-		
ANGLES ±	WEIGHT		CUSTOMER DRAWING		SCALE	SHEET	OF	REV
					40:1	1	1	BC

