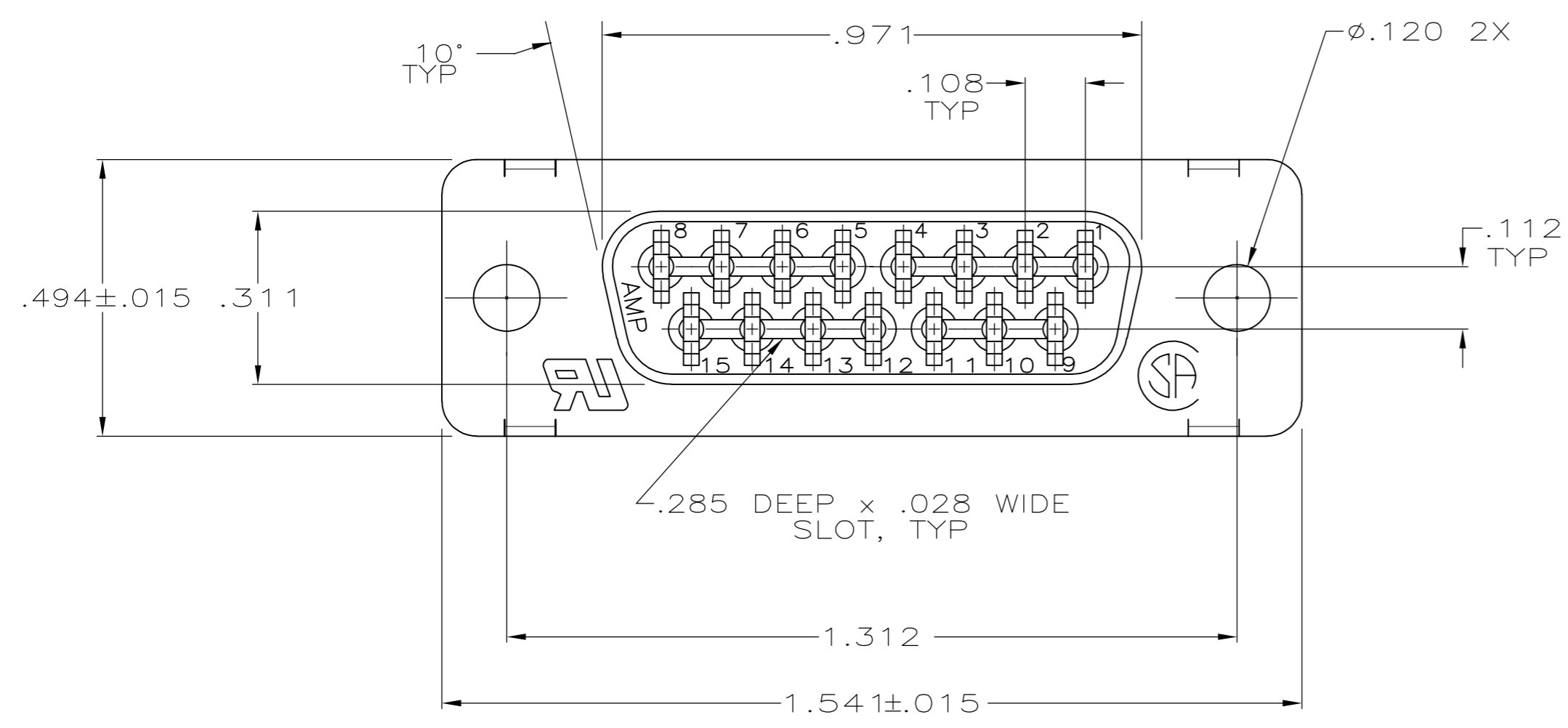
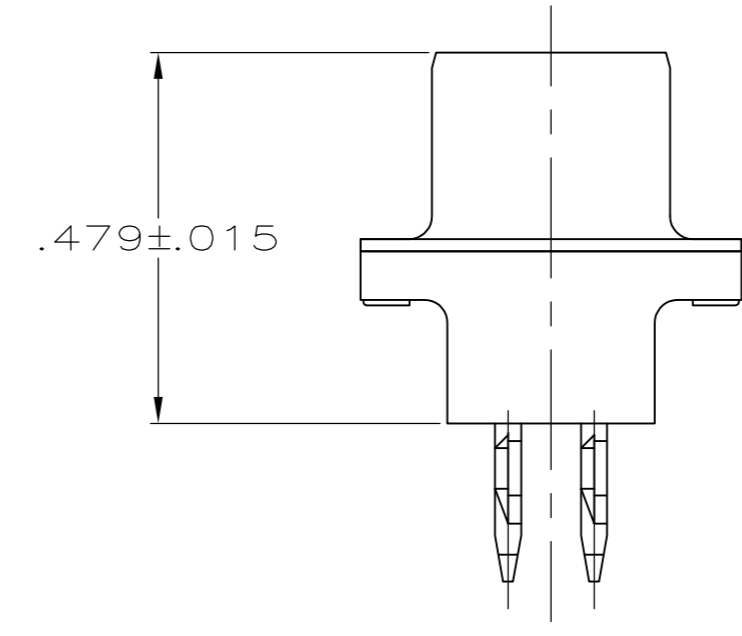
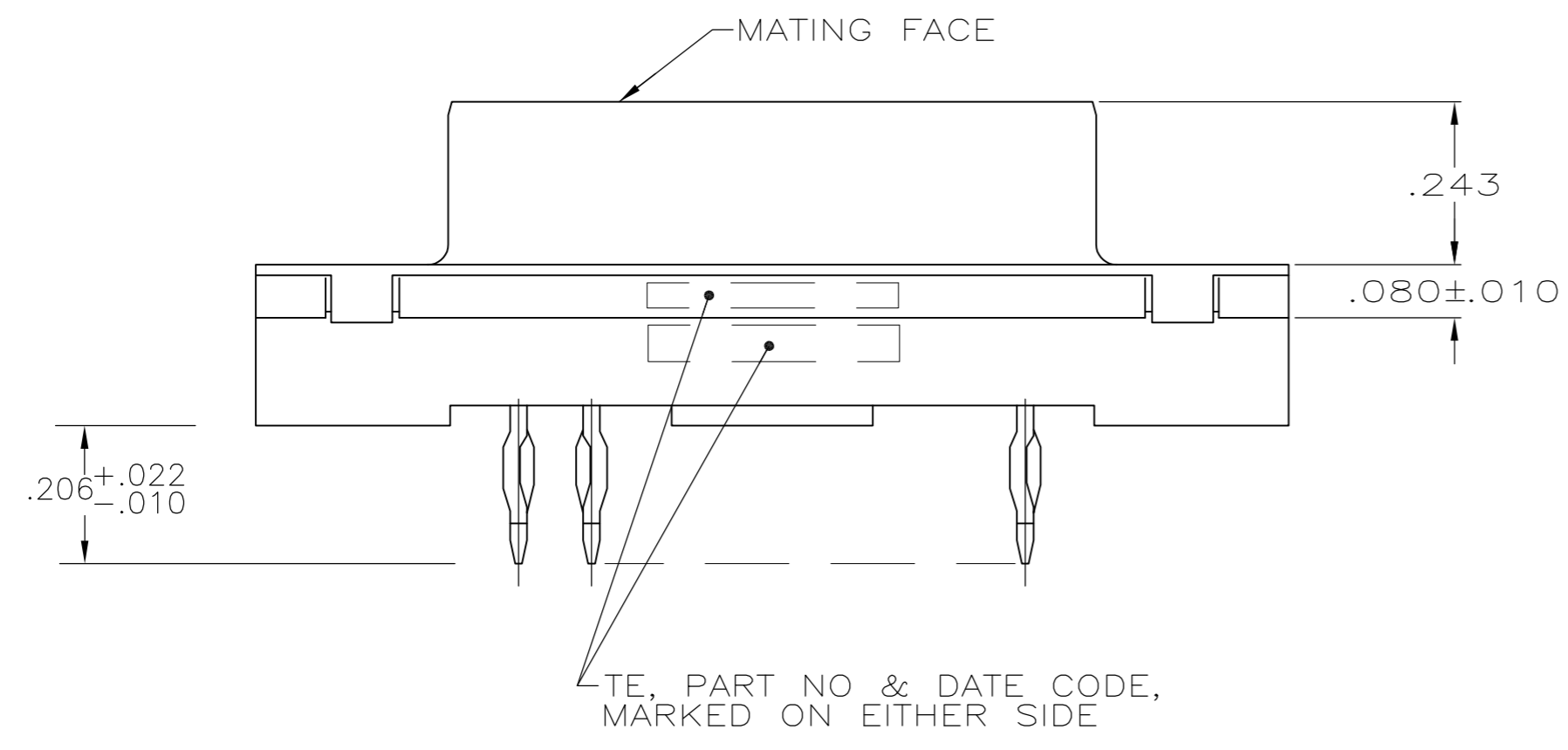


THIS DRAWING IS UNPUBLISHED. RELEASED FOR PUBLICATION
 © COPYRIGHT 2006 By - ALL RIGHTS RESERVED.

LOC	DIST	REVISIONS					
GP	00	P	LTR	DESCRIPTION	DATE	DWN	APVD
		C		RELEASED PER ECO-12-000090	26JAN2012	CJV	SLB



- 1 FOR USE WITH .093 MINIMUM THICK PRINTED CIRCUIT BOARD. REFER TO APPLICATION SPECIFICATION FOR PRINTED CIRCUIT BOARD LAYOUT DIMENSIONS AND FINISH RECOMMENDATIONS.
- 2 MATERIAL:
 HOUSING: GLASS-FILLED NYLON OR POLYESTER, UL94V-0 RATED, COLOR: BLACK.
 CONTACTS: COPPER ALLOY.
 SHELL: CARBON STEEL.
- 3 SHELLS: .000200 MIN TIN OVER .000100 MIN COPPER.
- 4 CONTACTS:
 0.76 MICRO METERS [.000030] MINIMUM GOLD IN MATING AREA.
 2.54 MICRO METERS [.000100] MINIMUM TIN ON COMPLIANT PIN.
 ALL OVER 1.27 MICRO METERS [.000050] MINIMUM NICKEL.
 OR
 GOLD FLASH OVER PALLADIUM NICKEL.
 0.76 MICRO METERS [.000030] MINIMUM TOTAL IN MATING AREA.
 2.54 MICRO METERS [.000100] MINIMUM TIN ON COMPLIANT PIN.
 ALL OVER 1.27 MICRO METERS [.000050] MINIMUM NICKEL.



5747140-2
 PART NUMBER

THIS DRAWING IS A CONTROLLED DOCUMENT. DIMENSIONING AND TOLERANCING PER ASME Y14.5M-2009		DWN G.PETERS/DTI 08MAR06		
TOLERANCES UNLESS OTHERWISE SPECIFIED:		CHK S.BOLASH 08MAR06		
DIMENSIONS: INCHES	0 PLC ± - 1 PLC ± - 2 PLC ± - 3 PLC ± .005 4 PLC ± - ANGLES ± -	APVD M.WALMSLEY 08MAR06	NAME RECEPTACLE ASSEMBLY, ACTION-PIN, 15 POSITION, HD-20, AMPLIMITE	
MATERIAL	FINISH	PRODUCT SPEC 108-40014	SIZE A2	CAGE CODE 00779
		APPLICATION SPEC 114-40026 1	DRAWING NO C=5747140	RESTRICTED TO -
		WEIGHT -	SCALE 4:1	SHEET 1 of 1
		CUSTOMER DRAWING		REV C