

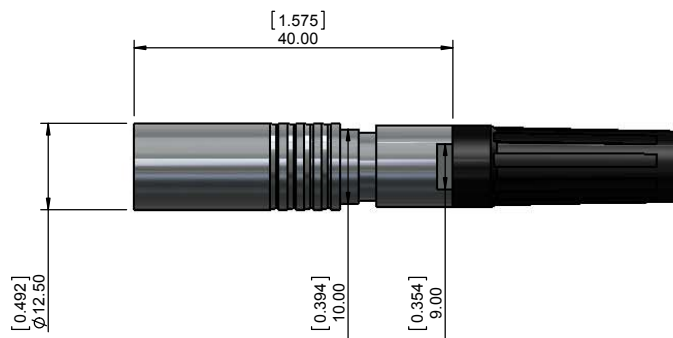
**CHARACTERISTICS**

**MATERIALS**  
 HOUSING : BRASS  
 HOUSING PLATING : 196µ" NICKEL MIN.  
 SHELL & COLLET NUT: BRASS, 196µ" CHROME PLATED MIN.  
 CONTACTS : COPPER ALLOY  
 CONTACT PLATING : 7µ" GOLD PLATED OVER 196µ" NICKEL MIN.  
 INSULATOR : PPS (HIGH TEMPERATURE)  
 STRAIN RELIEF(BOOT) : THERMOPLASTIC POLYURETHANE

**MECHANICAL**

DURABILITY: 5000 CYCLES  
 OPERATING TEMP. RANGE: -40° C ~ +200° C  
 PROCESS TEMPERATURE : 260° C FOR 5 SECONDS  
 MAX. TOURQUE VALUE : 1.5 Nm [13.2 IN/LBS]  
 SHIELDING: 75dB @ 10MHz  
 40dB @ 1GHz

IP RATING: 50



**CHART B**

COLLET SIZE	WIRE DIAMETER
30	2.50 [0.098] ~ 3.20 [0.126]
40	3.30 [0.130] ~ 4.20 [0.165]
50	4.30 [0.169] ~ 5.20 [0.205]
60	5.30 [0.209] ~ 6.20 [0.244]
70	6.30 [0.248] ~ 7.20 [0.283]

**CHART A**

● = KEY LOCATION

<p>2 POSITION 20 AWG MAX. 15 AMP MAX. PIN Ø = 1.30 [0.051]</p> <p>CONTACT RESISTANCE = 5 mΩ TEST VOLTAGE = 1500V WORKING VOLTAGE = 500V</p>	<p>3 POSITION 20 AWG MAX. 12 AMP MAX. PIN Ø = 1.30 [0.051]</p> <p>CONTACT RESISTANCE = 5 mΩ TEST VOLTAGE = 1300V WORKING VOLTAGE = 430V</p>	<p>4 POSITION 22 AWG MAX. 10 AMP MAX. PIN Ø = 0.90 [0.035]</p> <p>CONTACT RESISTANCE = 6 mΩ TEST VOLTAGE = 1300V WORKING VOLTAGE = 430V</p>	<p>5 POSITION 22 AWG MAX. 9 AMP MAX. PIN Ø = 0.90 [0.035]</p> <p>CONTACT RESISTANCE = 6 mΩ TEST VOLTAGE = 1250V WORKING VOLTAGE = 415V</p>	<p>6 POSITION 22 AWG MAX. 7 AMP MAX. PIN Ø = 0.70 [0.028]</p> <p>CONTACT RESISTANCE = 7.5 mΩ TEST VOLTAGE = 1050V WORKING VOLTAGE = 350V</p>	<p>7 POSITION 22 AWG MAX. 7 AMP MAX. PIN Ø = 0.70 [0.028]</p> <p>CONTACT RESISTANCE = 7.5 mΩ TEST VOLTAGE = 950V WORKING VOLTAGE = 315V</p>	<p>8 POSITION 22 AWG MAX. 5 AMP MAX. PIN Ø = 0.70 [0.028]</p> <p>CONTACT RESISTANCE = 7.5 mΩ TEST VOLTAGE = 950V WORKING VOLTAGE = 315V</p>	<p>10 POSITION 28 AWG MAX. 2.5 AMP MAX. PIN Ø = 0.50 [0.020]</p> <p>CONTACT RESISTANCE = 10 mΩ TEST VOLTAGE = 900V WORKING VOLTAGE = 300V</p>	<p>14 POSITION 28 AWG MAX. 2 AMP MAX. PIN Ø = 0.50 [0.020]</p> <p>CONTACT RESISTANCE = 10 mΩ TEST VOLTAGE = 800V WORKING VOLTAGE = 260V</p>
---	---	---	--	--	---	---	---	---

**RoHS COMPLIANT**



THESE DRAWINGS AND SPECIFICATIONS ARE THE PROPERTY OF NorComp AND SHALL NOT BE REPRODUCED, COPIED OR USED AS THE BASIS FOR THE MANUFACTURE OR SALE OF APPARATUS WITHOUT WRITTEN PERMISSION.

**NorComp**

DRAWN: M. SIGMON	DATE: 02-03-16	SCALE: N.T.S.	SHEET 1 OF 1	REV: 4
CHECKED:	DATE:		DWG NO. 821BYYY-273LYY1	