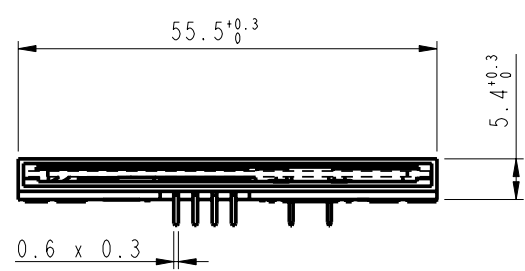
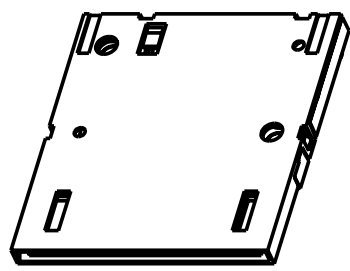


PART NUMBER	LEAD FREE VERSION
7431E0525S01	7431E0525S01LF



GENERAL :
 High cycle life duration smart card connector with landing type contacts mechanism. The landing type connector also provides the feature of recessed contacts when card is not inserted which protects them against vandalism.
 Smart card for reference purposes only.

ELECTRICAL PROPERTIES:
 Insulation resistance : > 1000MΩ
 Dielectric withstanding voltage : >750 Vrms
 Current carrying capacity : Min 10μA, Max 1A
 Contact resistance : < 100mΩ

MECHANICAL PROPERTIES :
 Operating force : Insertion : F < 10N
 Withdrawal : 1 < F < 10N
 Contact Normal force : 0.2 < F < 0.3 for 0.6mm of deflection
 Durability : 200 000 mating cycles

MATERIAL :
 Head reader : Thermoplastic, Colour Grey, Rated UL94V0
 Cover : Thermoplastic, Colour Black, Rated UL94V0
 Contacts : Copper alloy,
 Plating : Gold over Ni or equivalent on contact area
 SnPb over Ni on solder tails (FOR LEADED VERSION)
 Matte tin over Ni on solder tails (FOR LEAD FREE VERSION)

ENVIRONMENT :
 Operating temperature : -40°C / +85°C
 Climatic conditions : UTE 93-421

PACKAGING :
 Plastic cavity tray

A

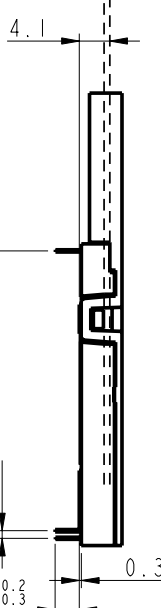
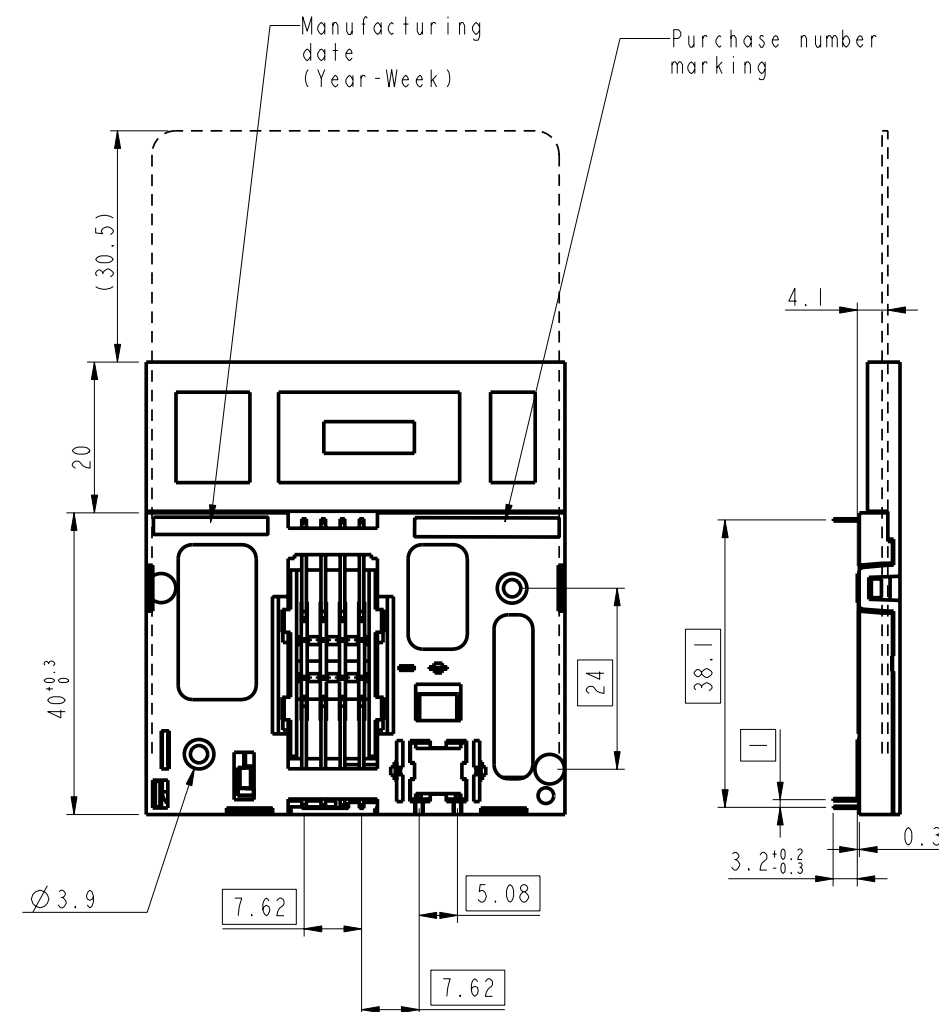
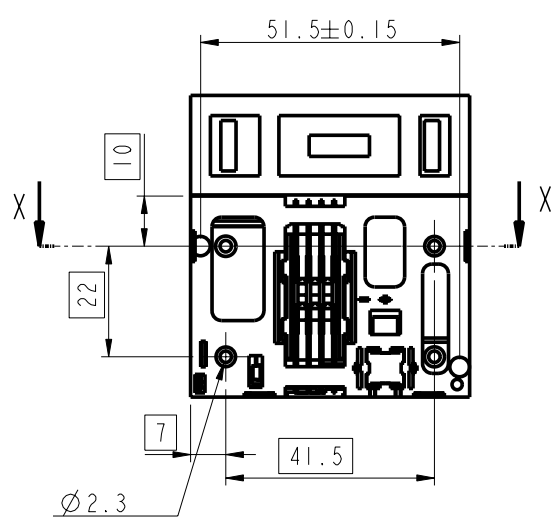
A

B

B

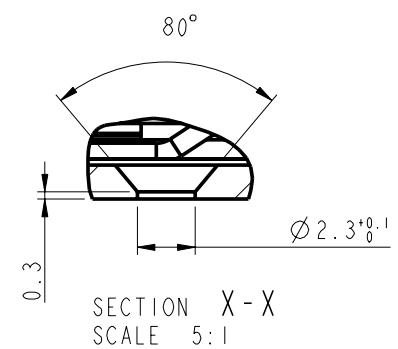
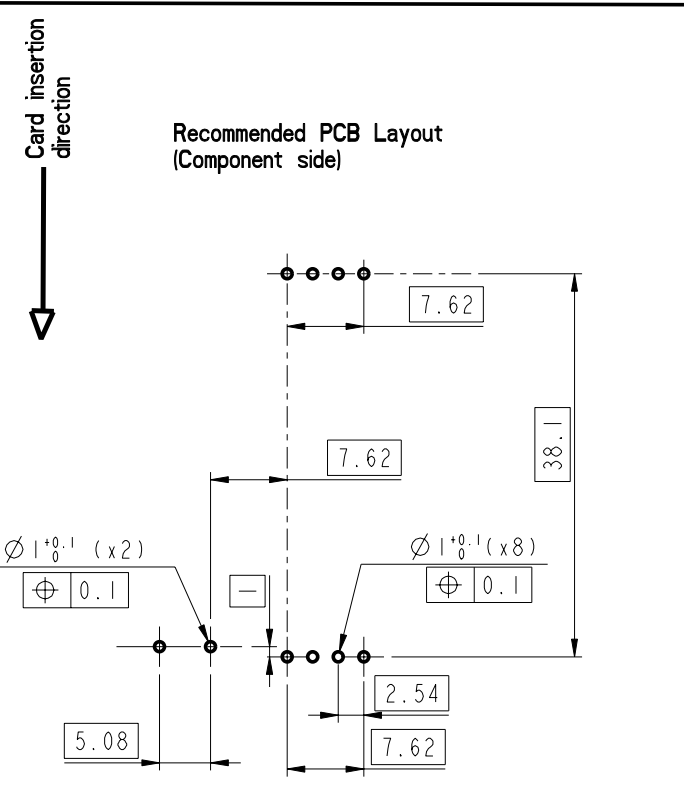
C

C

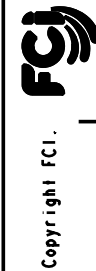


D

D



LEAD FREE VERSION:
 "This product meets European Union Directives and other country regulations as described in GS-22-008"
 The housing will withstand exposure to 260°C peak temperature for 3-5seconds in a wave solder application with a 1.6mm minimum thick circuit board.



rev	ecn no	dr	date
A	F20307	DLE	2002/04/29
B	F20341	DLE	2002/06/04
C	LS3088	JTA	2003/11/28
D	105-0176	NT	2005/09/29
E	105-0078	DTK	2006/06/19
F	109-0013	SSC	2009/01/24

General Tolerances	
0 to 10mm:	±0.1mm
10 to 30mm:	±0.15mm
30 to 60mm:	±0.2mm
60 and more:	±0.3mm

www.fciconnect.com		surface	tolerance std	projection	mm
		ISO 1302	ISO 406 ISO 1101	ANGULAR	Scale 1:1
		TOLERANCES UNLESS OTHERWISE SPECIFIED			size A2
		0.X	±	LINEAR	ECN 109-0013
		0.xx	±	0° ±°	Spec ref
		0.xxx	±	Product family	
		Dr D LEGRAND 2002/04/29			Rev. F
		Eng F TISSERAND 2002/04/29			
		Chr S.S.CHERIAN 2009/01/24			
		Appr S.S.CHERIAN 2009/01/24			
FCI		E05 WITHOUT PEG		cat no	VJW53908
				sheet 1 of 1	

REV F - 2006-04-17