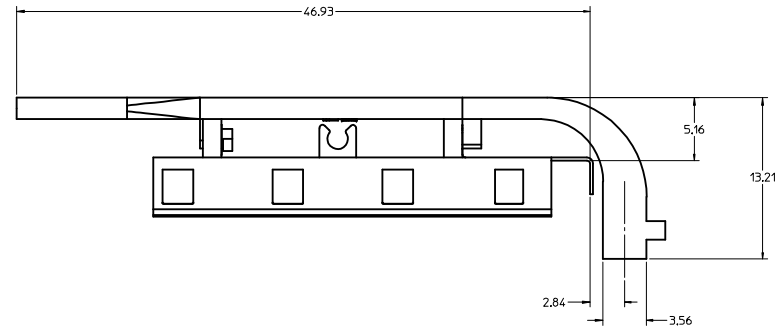
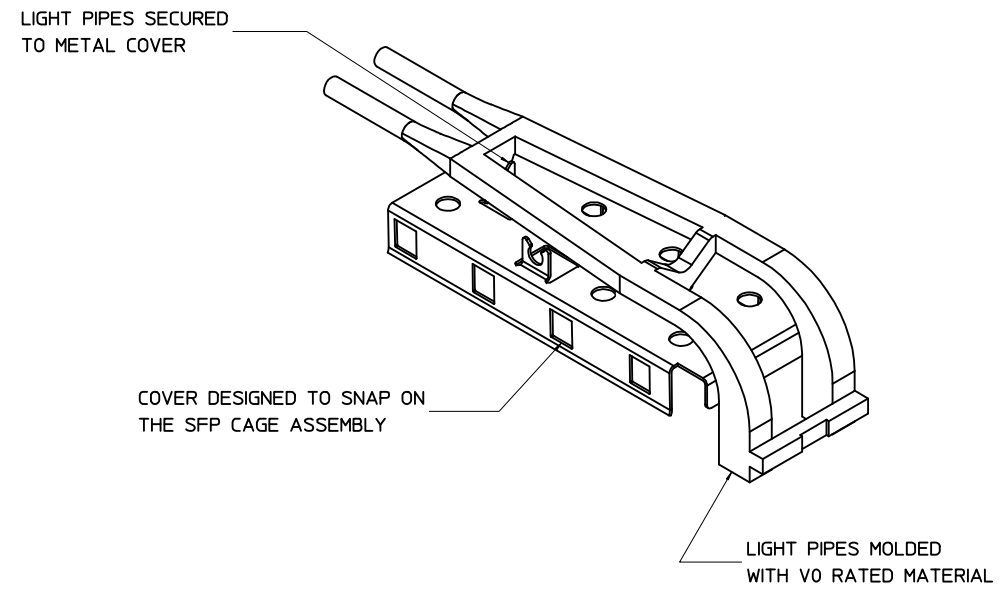
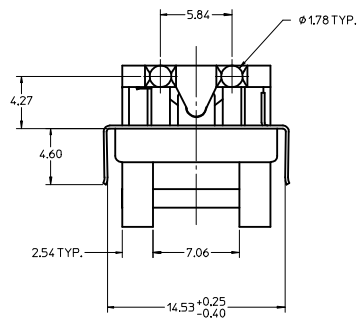
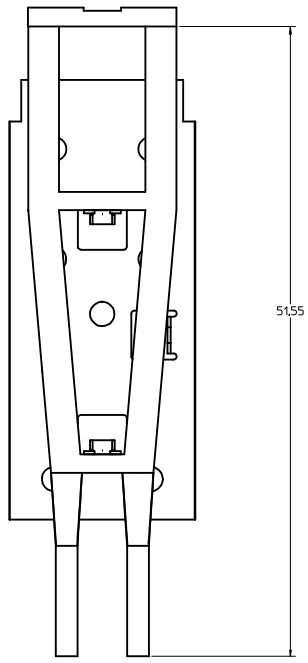


3D MODEL: EM-74726-001-ASSY

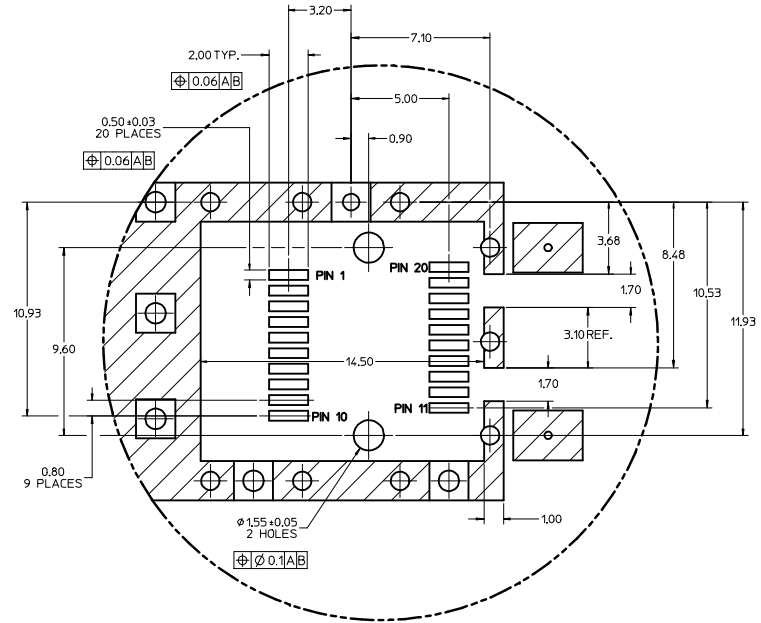
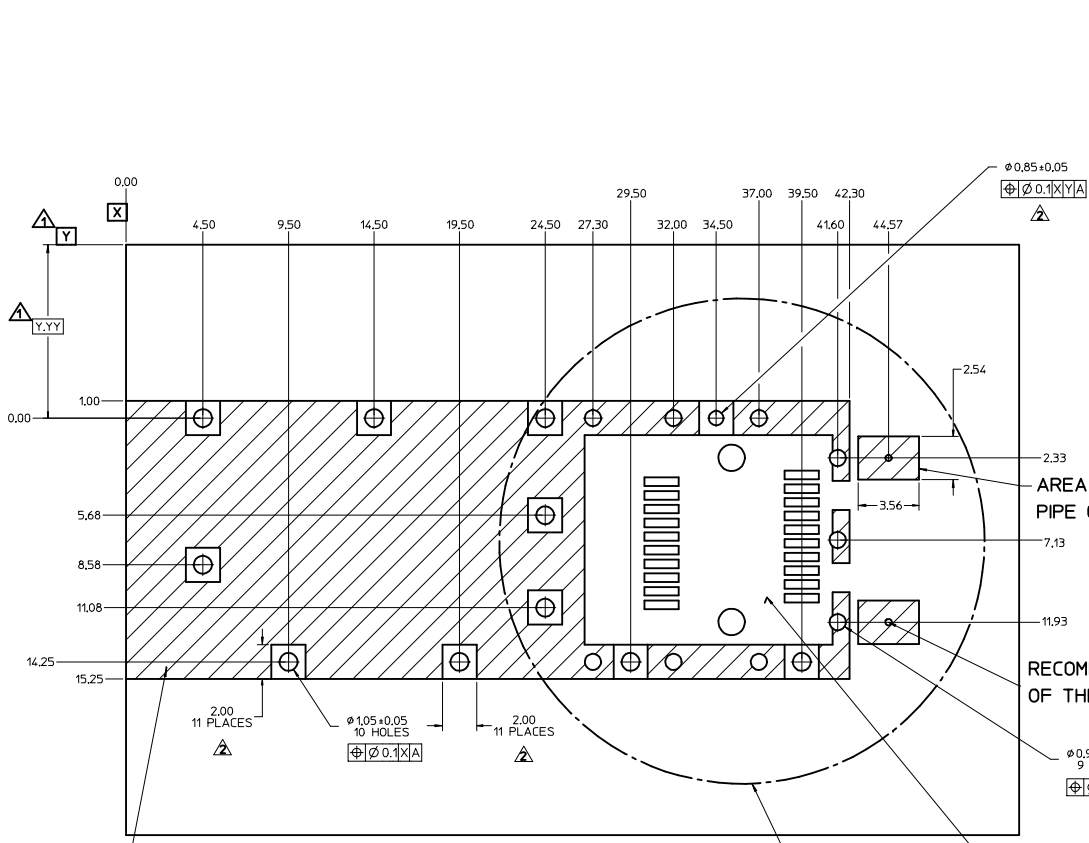


NOTES:

- THIS LIGHT PIPE ASSEMBLY TO BE USED WITH THE FOLLOWING 1X1 SFP CAGE ASSEMBLIES:
 747370002 - 1X1 SFP CAGE ASSEMBLY W/ SPRING FINGER GASKET (REFER TO DOCUMENT SD-74737-002 FOR DETAILS)
 747370004 - 1X1 SFP CAGE ASSEMBLY W/ SPRING FINGER GASKET, BELLY-TO-BELLY (REFER TO DOCUMENT SD-74737-004 FOR DETAILS)
- IT IS RECOMMENDED THAT THE CAGE ASSEMBLY BE PRESSED INTO THE PCB PRIOR TO ASSEMBLING THE LIGHT PIPE ASSEMBLY.
- NO RoHS EXEMPTIONS.

SEE REVISION TABLE EC NO: CPG2013-0897 DRWNSWJIA 2012/10/26 CHYKARINE 2012/10/26 APPR:KLOYD 2013/01/17	QUALITY SYMBOLS	GENERAL TOLERANCES (UNLESS SPECIFIED)	DIMENSION STYLE	SCALE	DESIGN UNITS	THIRD ANGLE PROJECTION
	$\nabla=0$ $\nabla=0$ $\nabla=0$	mm INCH 4 PLACES ± --- ± --- 3 PLACES ± --- ± --- 2 PLACES ± 0.13 ± --- 1 PLACE ± 0.25 ± --- 0 PLACE ± ±	MM ONLY	5:1	METRIC	
	ANGULAR ± 1 ° DRAFT WHERE APPLICABLE MUST REMAIN WITHIN DIMENSIONS	DRAWN BY DATE KSI MONSO 2004/07/08 CHECKED BY DATE BRUSSELL 2004/07/08 APPROVED BY DATE BRUSSELL 2004/07/08	TITLE	1X1 SFP LIGHT PIPE ASSEMBLY, BACK-TOP		
		MATERIAL NO. 747260001	DOCUMENT NO. SD-74726-001	SHEET NO. 1 OF 4		

10...frame...D...P...AM...T Rev. G 2012/01/11



Detail 1
SCALE 8:1

CROSS-HATCHED AREA DENOTES COMPONENT AND TRACE KEEP-OUT (EXCEPT CHASSIS GROUND)

THIS AREA DENOTES COMPONENT KEEP-OUT (TRACES ALLOWED)

AREA OF LIGHT PIPE COVERAGE

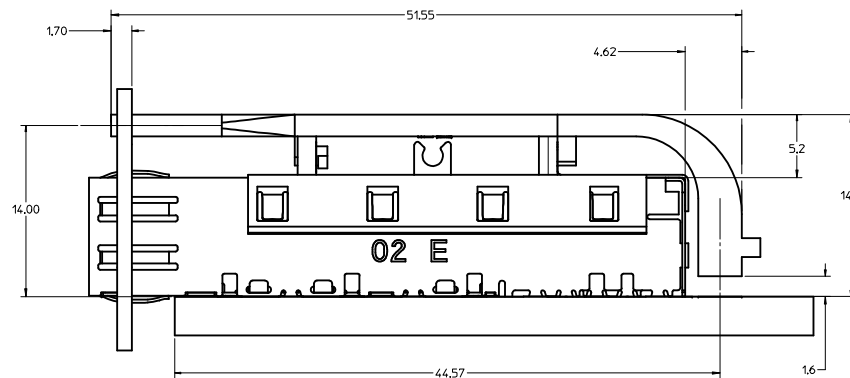
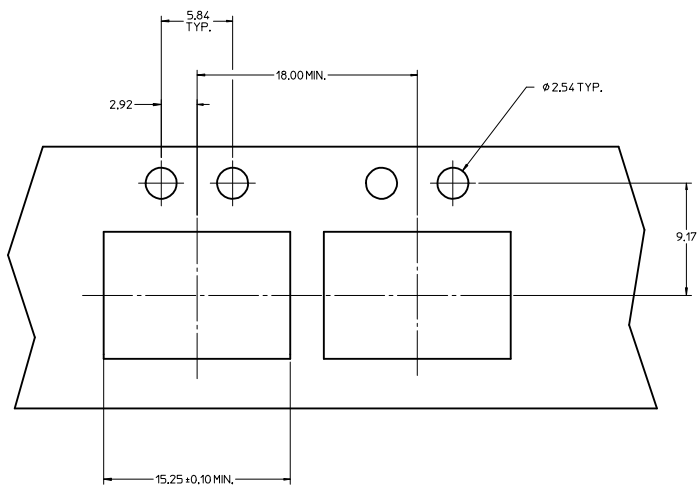
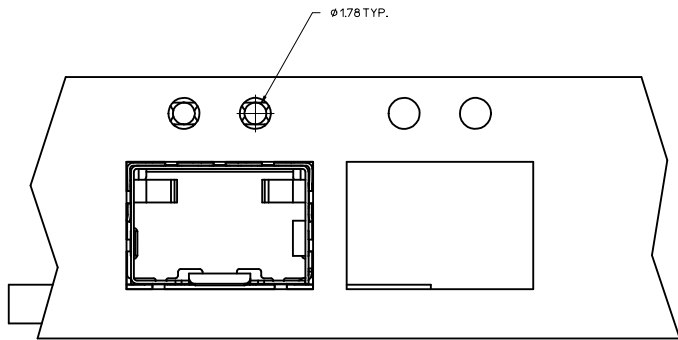
RECOMMENDED CENTRIX OF THE LED (X2)

SEE DETAIL 1

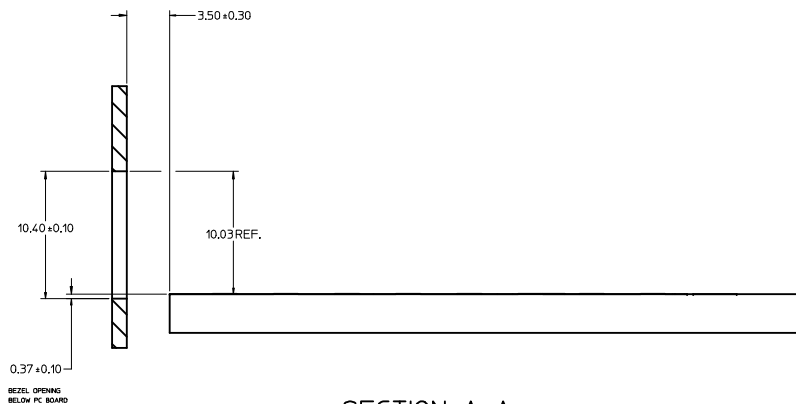
- NOTES:
1. PADS AND VIAS CONNECT TO CHASSIS GROUND. RECOMMENDED PADS TO BE 2mm SQUARE.
 2. PLATING OPTIONAL FOR THROUGH HOLES
 3. RECOMMENDED PLATING INCLUDES HASL, IMMERSION (GOLD, SILVER, OR TIN), AND OSP.
 4. HOLE PATTERN REPEATS FOR EACH PORT. SPACING BETWEEN PORTS IS 0.561 [14.25]
 5. CONNECTOR PAD LAYOUT PER SFP MSA. WILL ACCOMODATE MOLEX CONNECTOR SERIES 74441 OR EQUIVALENT.
 6. LEDS SHOULD BE PLACED RELATIVE TO THE SFP CONNECTOR POST HOLES.
 7. DETAILS APPLY TO EACH PORT.

- 1 DATUM AND BASIC DIMENSIONS ESTABLISHED BY CUSTOMER.
- 2 PADS AND VIAS ARE CHASSIS GROUND.
- 3 HOLE LAYOUT SHOWN IS FOR SINGLE SIDED MOUNTING ONLY. BELLY TO BELLY MOUNTING REQUIRES LAYOUT MIRRORED ON OPPOSITE SIDE OF BOARD. CAGE DESIGN AND TRANSCEIVER PROFILE SHOULD BE CONSIDERED IN DETERMINING MINIMUM BOARD THICKNESS IN BELLY TO BELLY MOUNTING.
4. CONNECTOR PAD LAYOUT PER SFP MSA, WILL ACCOMODATE MOLEX CONNECTOR SERIES 74441 OR EQUIVALENT.

SEE REVISION TABLE EC NO: CPG2013-0897 DRAWN BY: DRWNSNAJA 2012/10/26 CHKD BY: CHKDARJWE 2012/10/26 APPR: K LLOYD 2013/01/17	QUALITY SYMBOLS	GENERAL TOLERANCES (UNLESS SPECIFIED)	DIMENSION STYLE	SCALE	DESIGN UNITS	THIRD ANGLE PROJECTION
	▽=0	mm INCH	MM ONLY	8:1	METRIC	☉
	▽=0	4 PLACES ± ---	DRAWN BY: KS IMONSO	DATE: 2004/07/08	TITLE: 1X1 SFP LIGHT PIPE ASSEMBLY, BACK-TOP	
	▽=0	3 PLACES ± ---	CHECKED BY: BRUSSELL	DATE: 2004/07/08	MATERIAL NO. 747260001	
	2 PLACES ± 0.13	APPROVED BY: BRUSSELL	DATE: 2004/07/08	DOCUMENT NO. SD-74726-001		SHEET NO. 2 OF 4
	1 PLACE ± 0.25			THIS DRAWING CONTAINS INFORMATION THAT IS PROPRIETARY TO MOLEX INCORPORATED AND SHOULD NOT BE USED WITHOUT WRITTEN PERMISSION		
	0 PLACE ±					



NOTE: MAX LED HEIGHT OF 1.40/[0.055]



SECTION A-A

SEE REVISION TABLE IEC NO: CPG2013-0897 DRWNSWJJA 2012/10/26 CHYDARINKE 2012/10/26 APPR:KLOYD 2013/01/17	QUALITY SYMBOLS	GENERAL TOLERANCES (UNLESS SPECIFIED)	DIMENSION STYLE	SCALE	DESIGN UNITS	THIRD ANGLE PROJECTION	
	$\nabla=0$ $\nabla=0$ $\nabla=0$	mm INCH 4 PLACES ± --- ± --- 3 PLACES ± --- ± --- 2 PLACES ± 0.13 ± --- 1 PLACE ± 0.25 ± --- 0 PLACE ± ±	MM ONLY	5:1	METRIC		
	DRAWN BY DATE KS IMONSO 2004/07/08 CHECKED BY DATE BRUSSELL 2004/07/08 APPROVED BY DATE BRUSSELL 2004/07/08	TITLE 1X1 SFP LIGHT PIPE ASSEMBLY, BACK-TOP		MATERIAL NO. 747260001		DOCUMENT NO. SD-74726-001	SHEET NO. 3 OF 4
	ANGULAR ± 1 ° DRAFT WHERE APPLICABLE MUST REMAIN WITHIN DIMENSIONS		THIS DRAWING CONTAINS INFORMATION THAT IS PROPRIETARY TO MOLEX INCORPORATED AND SHOULD NOT BE USED WITHOUT WRITTEN PERMISSION				

molex

