

Low Profile Printed Circuit Mount Triple Output Transformers

For 5 VDC and ± 12 VDC or ± 15 VDC Regulated Power Supplies



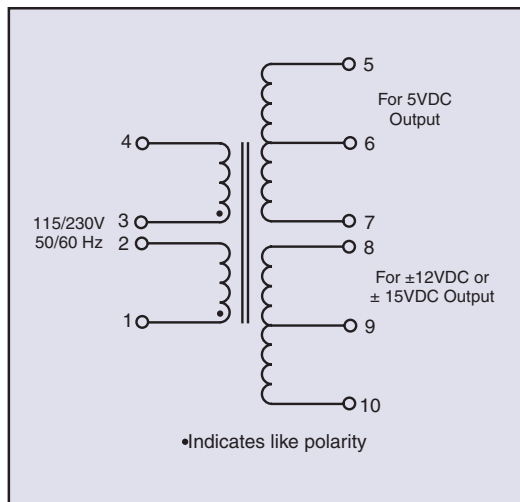
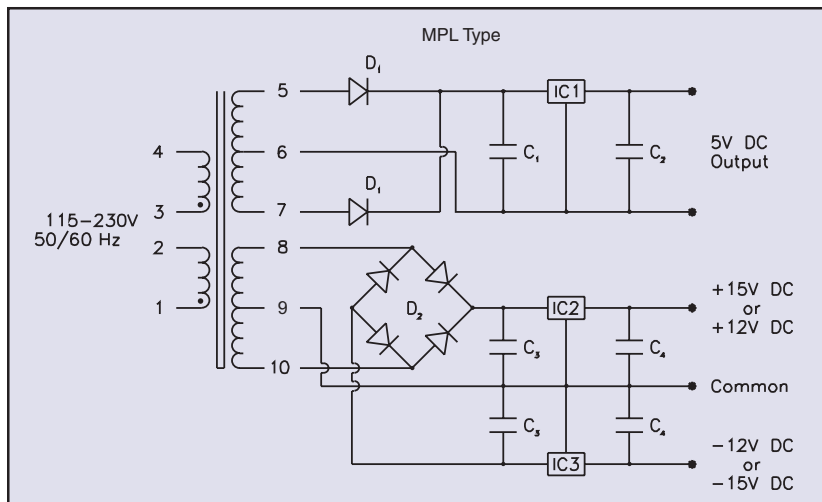
MPL Series

General Specifications

- Power - 6 VA and 12 VA
- Dielectric Strength - 1500 Vrms Hipot
- Primaries - Dual primaries, 115/230 V nominal, 50/60 Hz, input range 100 V to 130 V or 200 V to 260 V
- Secondaries - Dual complementary outputs, 5 VDC with ± 12 VDC or 5 VDC with ± 15 VDC
- Electrostatic shield - not necessary due to split bobbin construction
- Reduced magnetic radiation
- Height - 0.85" and 1.065" high
- Insulation System - Class B, 130° C, UL 1446 E66312

Agency Certifications

- UL recognized to UL 506 / UL 5085-2, File # E63829
- CSA certified to C22.2 #66.1, File # 221070



Part Number	DC Output		VA Size	Suggested Components							
	Regulator I	Regulator II		C ₁	C ₂	C ₃	C ₄	D ₁ (2)	D ₂ (4)	IC ₁ *	IC ₂ *
MPL-6-12	5 VDC 135mA	± 12 VDC 40mA	6	1000MFD 20V	2.7MFD 20V	150MFD 50V	10MFD 20V	1N4001	1N4002	LM342P-5.0	LM326N
MPL-6-15	5 VDC 135mA	± 15 VDC 35mA	6	1000MFD 20V	2.7MFD 20V	150MFD 50V	10MFD 20V	1N4001	1N4002	LM342P-5.0	LM325N
MPL-12-12	5 VDC 270mA	± 12 VDC 85mA	12	2100MFD 30V	2.7MFD 20V	250MFD 50V	10MFD 20V	1N4001	1N4002	LM341P-5.0	LM326N
MPL-12-15	5 VDC 270mA	± 15 VDC 70mA	12	2100MFD 30V	2.7MFD 20V	250MFD 50V	10MFD 20V	1N4001	1N4002	LM341P-5.0	LM325N

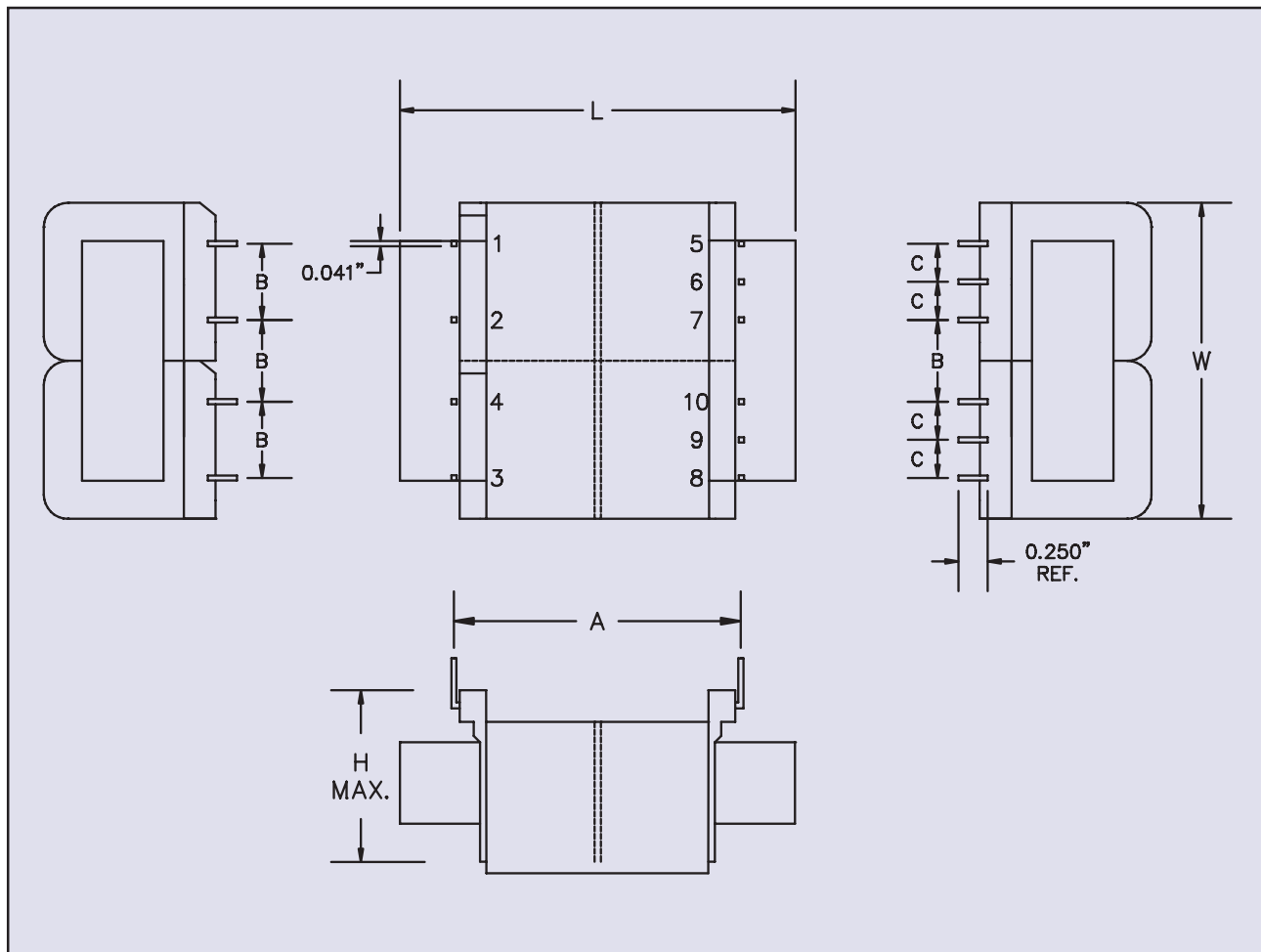
* National Semiconductor

Custom versions available upon request.

©2008 Signal Transformer — Specification subject to change without notice. 07.08

Low Profile Printed Circuit Mount Triple Output Transformers

For 5 VDC and ± 12 VDC or ± 15 VDC Regulated Power Supplies



VA	Dimensions						Weight
	L	W	H	A	B	C	
Size	Inches (mm)						lbs (kg)
6	1.87 (47.6)	1.56 (39.7)	0.85 (21.6)	1.60 (40.6)	0.37 (9.5)	0.18 (4.7)	0.43 (0.20)
12	2.50 (63.5)	2.00 (50.8)	1.06 (27.1)	2.00 (50.8)	0.50 (12.7)	0.25 (6.4)	0.68 (0.31)

Custom versions available upon request.

©2008 Signal Transformer — Specification subject to change without notice. 07.08



www.signaltransformer.com

500 Bayview Avenue, Inwood, NY 11096
 Toll Free 866-239-5777 • Tel 516-239-5777 • Fax 516-239-7208
 sales@signaltransformer.com • techhelp@signaltransformer.com