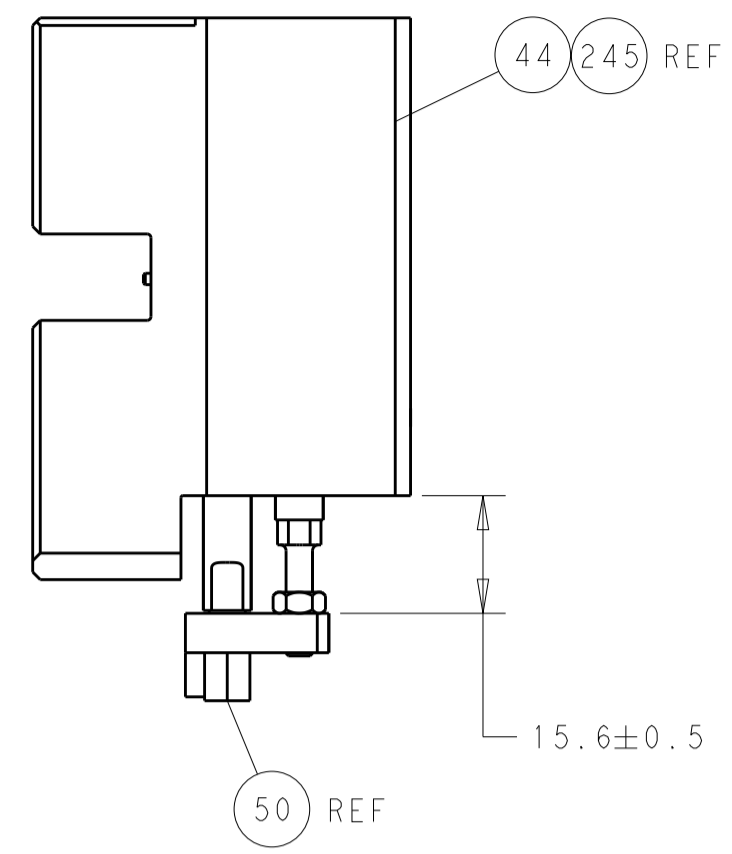
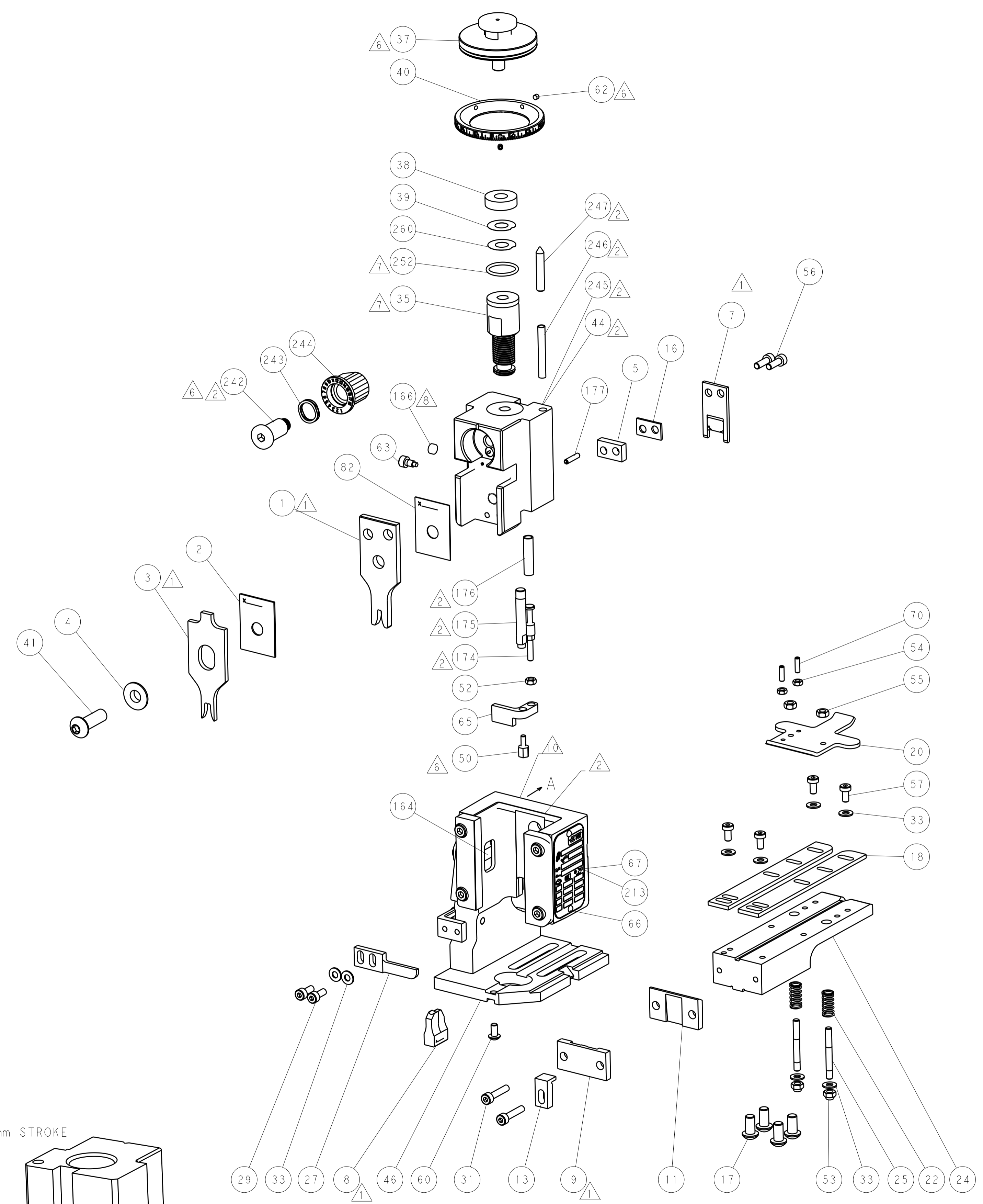


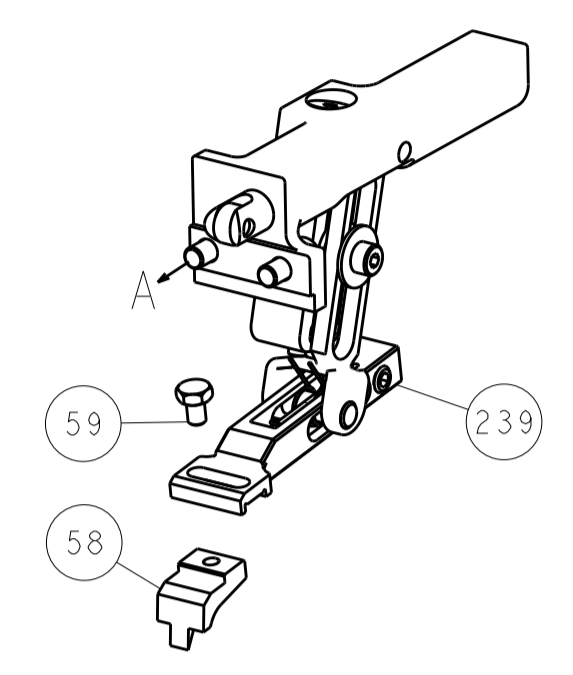
LOC	DIST	REV	DATE	BY	APPV
A	66				
REVISIONS					



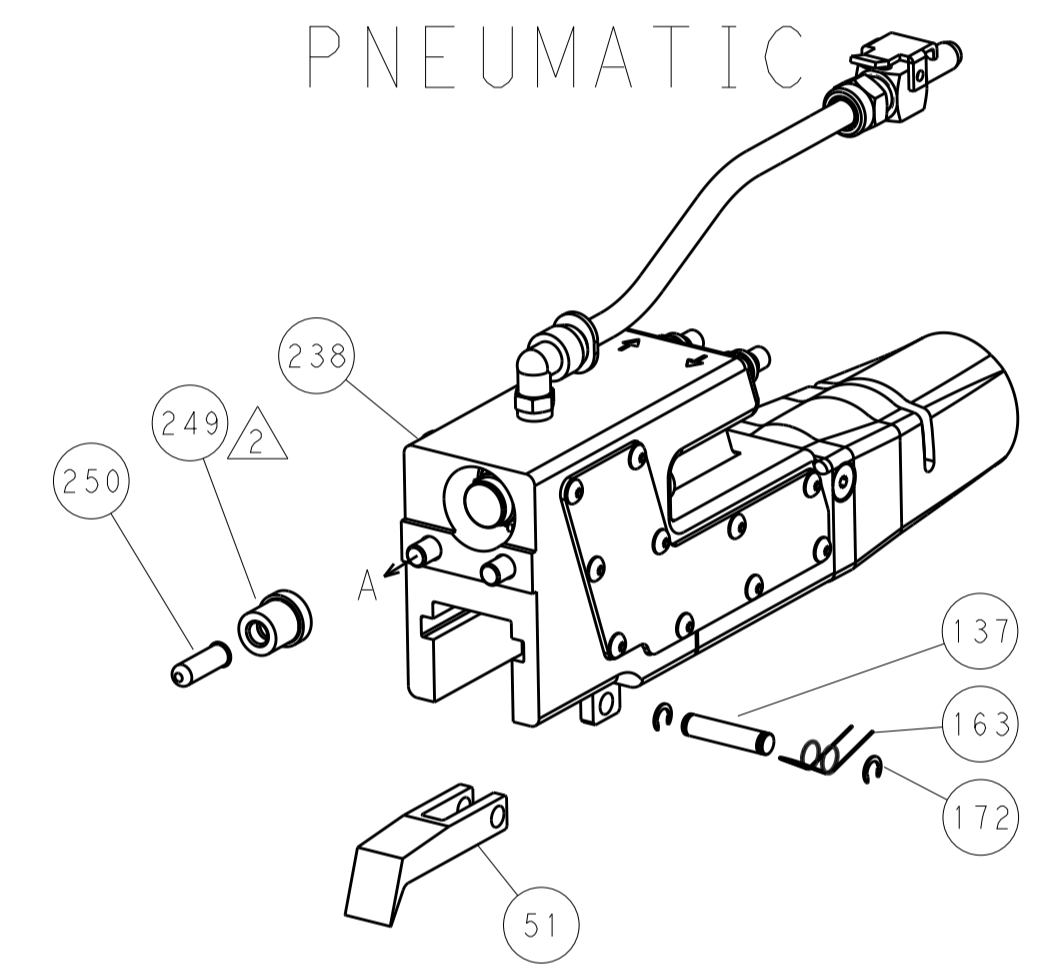
HOLDDOWN SET-UP



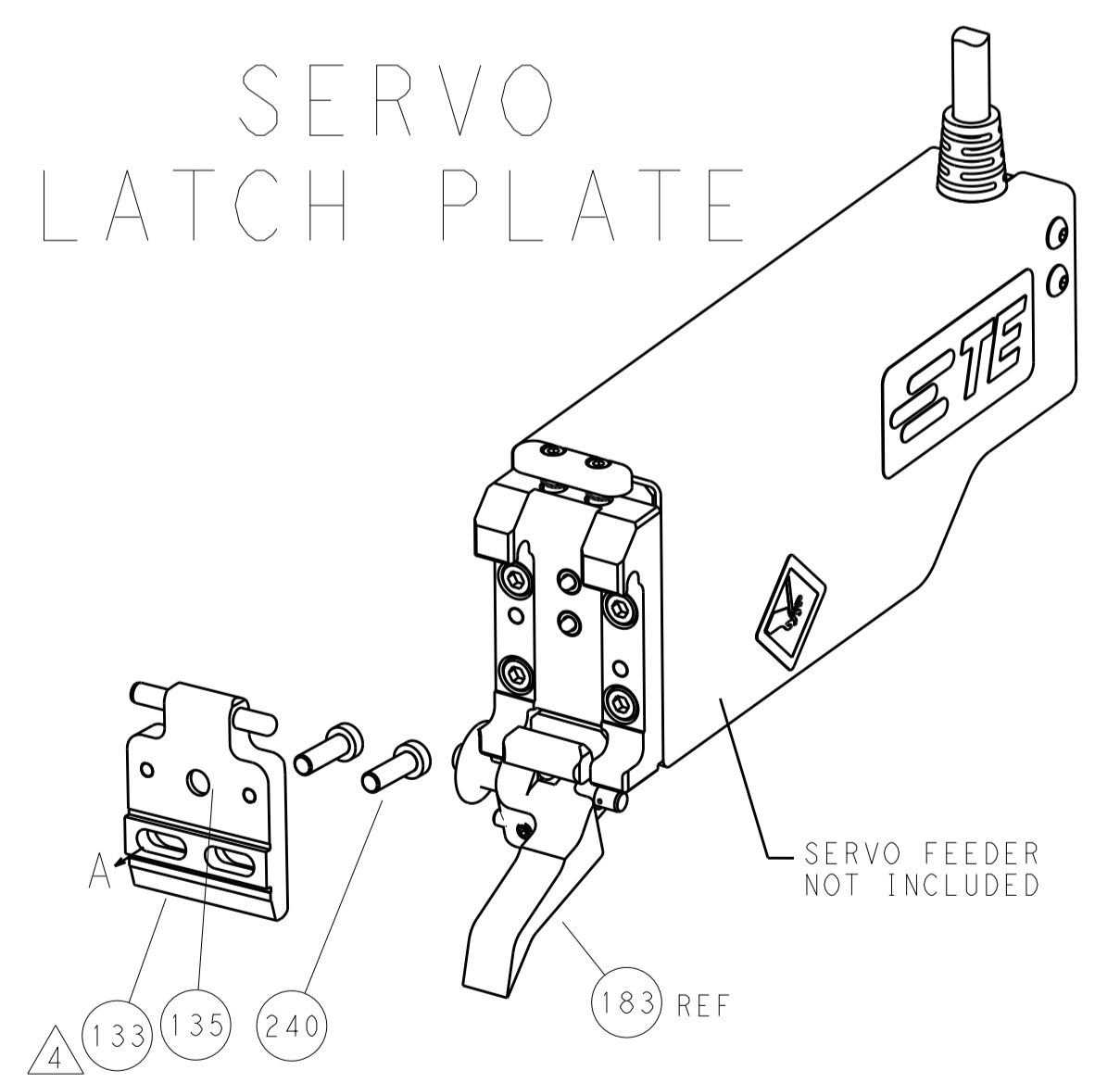
FEED TYPE
MECHANICAL



PNEUMATIC



SERVO
LATCH PLATE



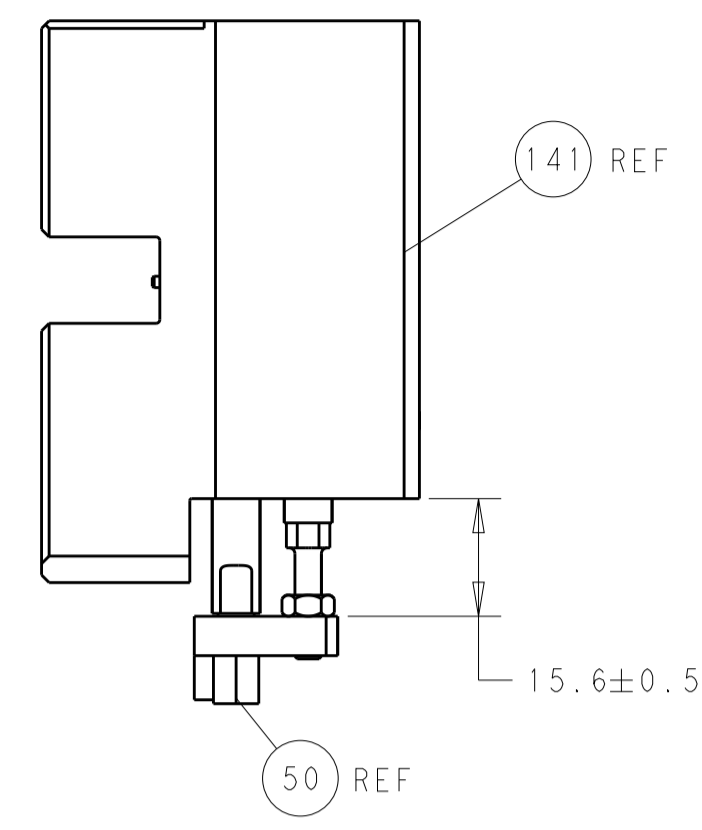
CAM POSITIONS



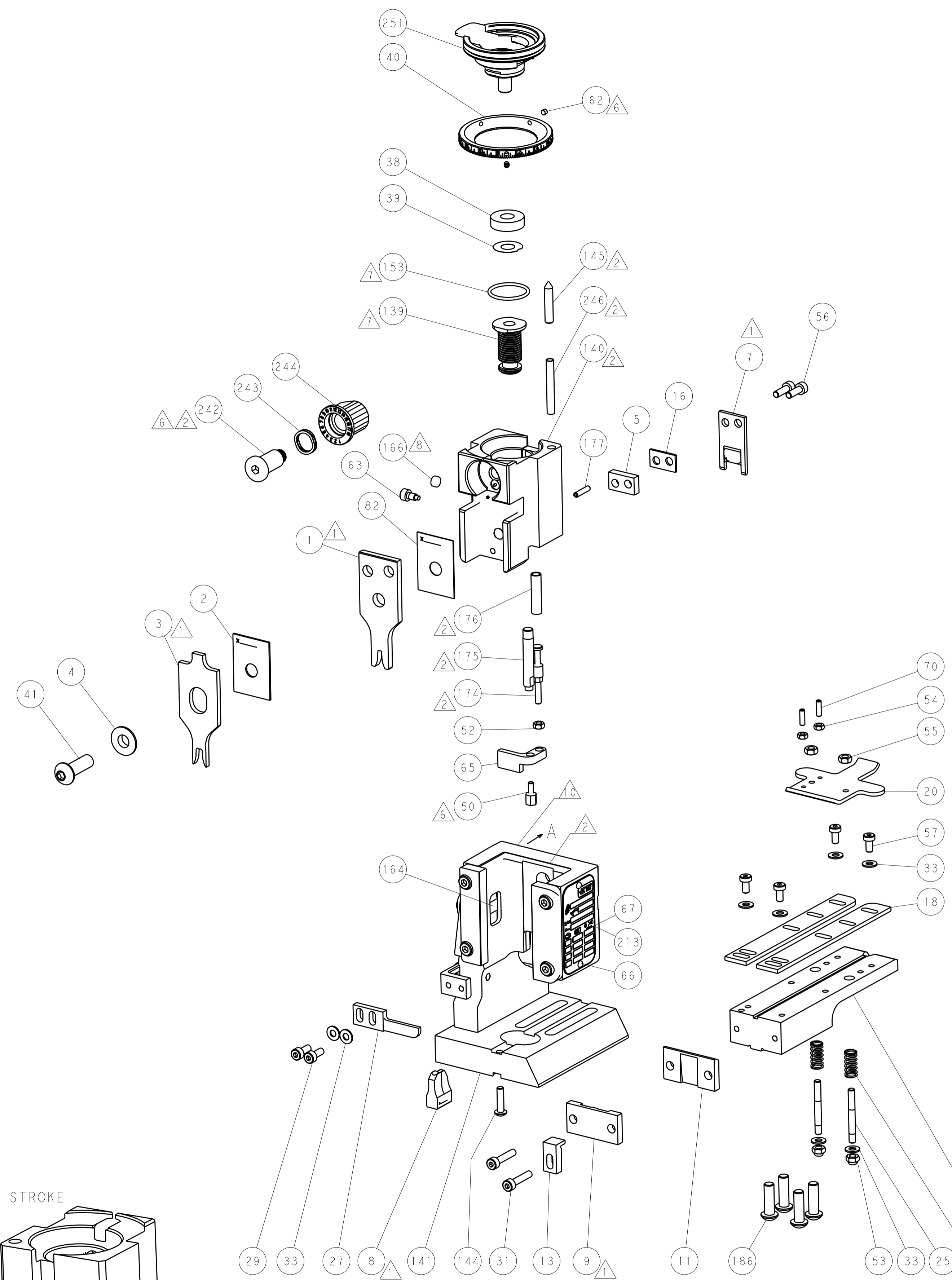
ATLANTIC VERSION
 Shown on sheets 1 of 4 & 2 of 4
 (Pacific version shown on sheets 3 of 4 & 4 of 4)

DIMENSIONS:		TOLERANCES UNLESS OTHERWISE SPECIFIED:		OWN: L.C. CHEN 09JAN2012		TE Connectivity	
mm		0 PLC ±		CHK: S.XI 09JAN2012		Harrisburg, PA 17105-3608	
Ø		1 PLC ±		APVD: J. CRUZ 09JAN2012		NAME: Ocean End Feed Applicator	
H		2 PLC ±		PRODUCT SPEC		SIZE: CAGE CODE DRAWING NO	
L		3 PLC ±		APPLICATION SPEC		RESTRICTED TO	
R		4 PLC ±		WEIGHT		A1 00779 ©=2150034	
ANGLES		5 PLC ±		Customer Accessible Production Drawing		SCALE: 1:1 SHEET 2 OF 4 REV: C1	
FINISH		6 PLC ±		Customer Accessible Production Drawing		SHEETS 3 & 4 ARE NOT REQUIRED FOR ATLANTIC VERSION	

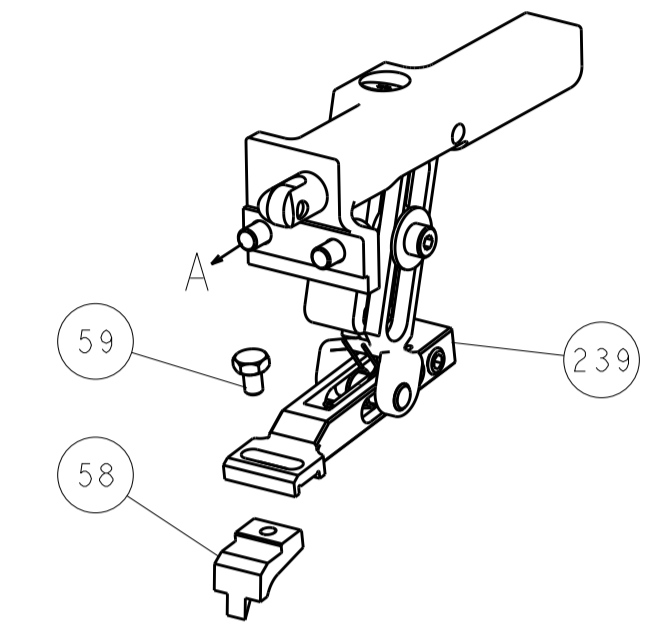
LOC		DIST		REVISIONS			
A	66	P	LTM	DESCRIPTION	DATE	OWN	APVD
		-	-	SEE SHEET 1	-	-	-



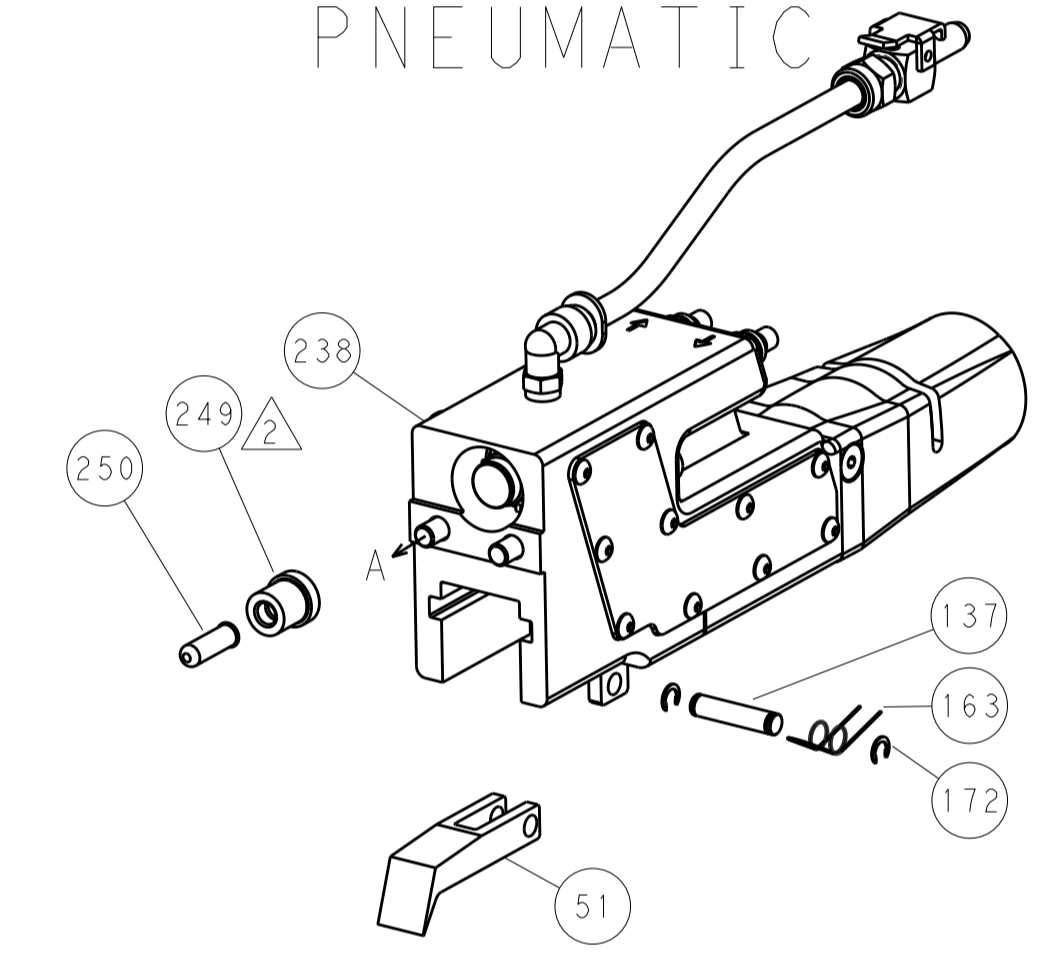
HOLDDOWN SET-UP



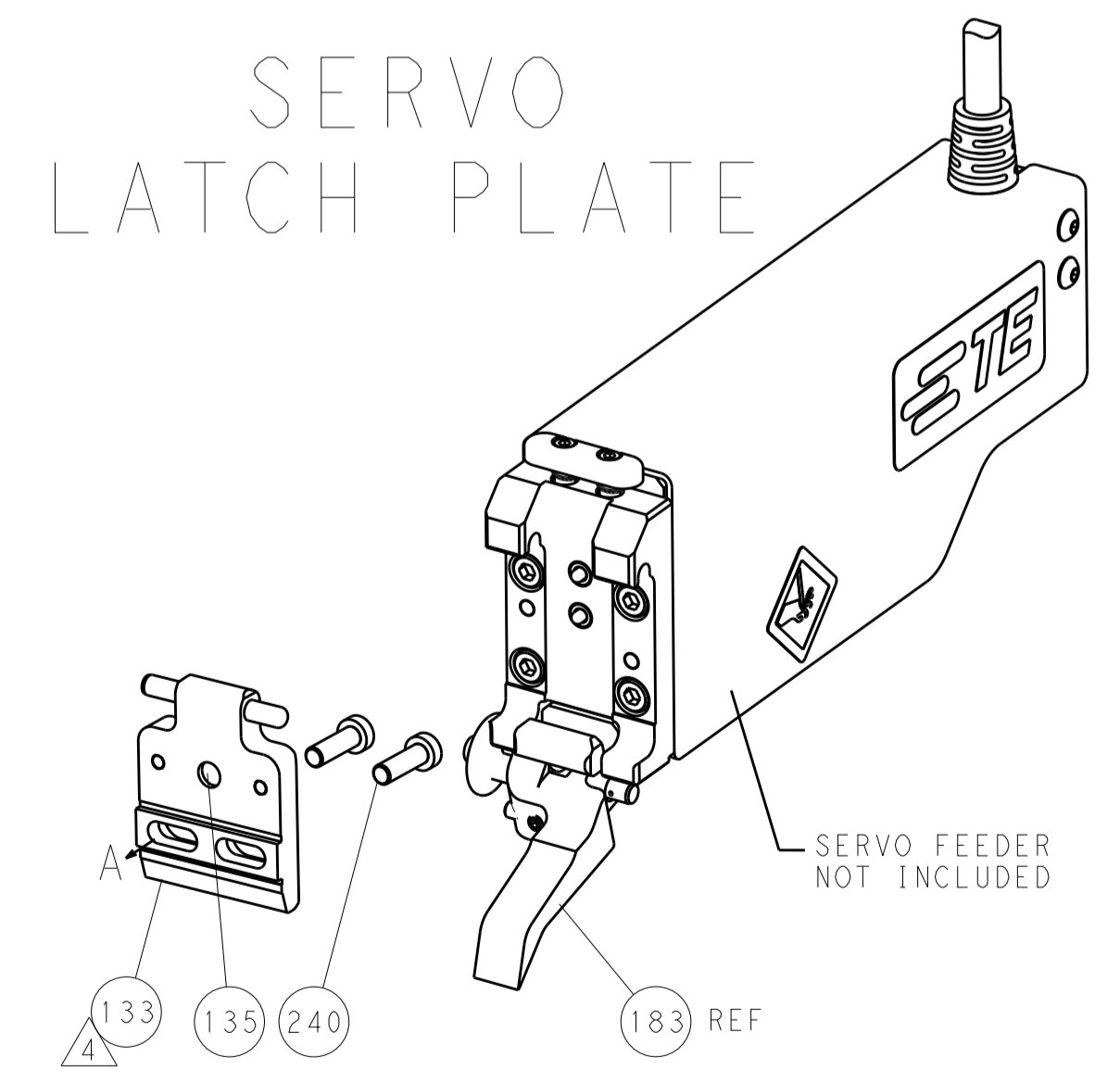
FEED TYPE
MECHANICAL



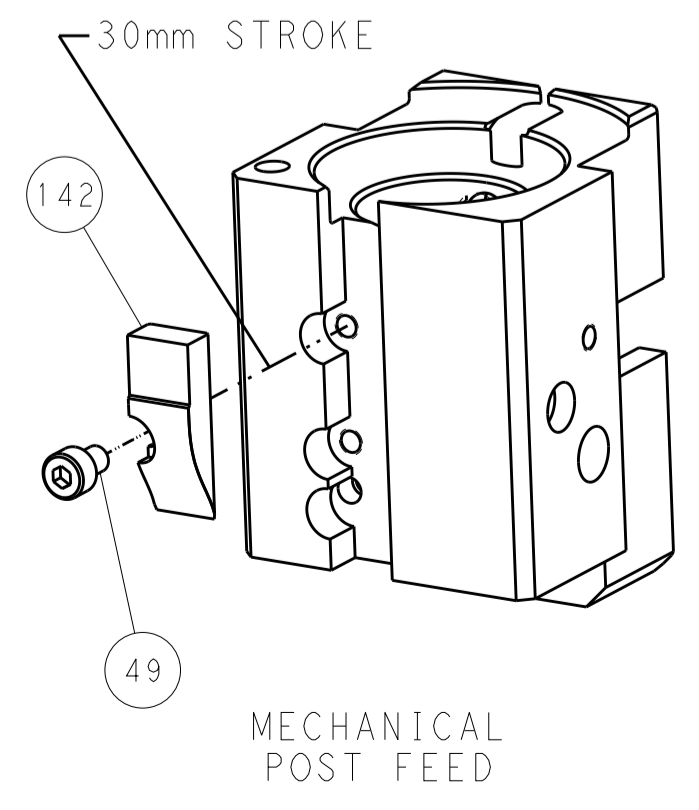
PNEUMATIC



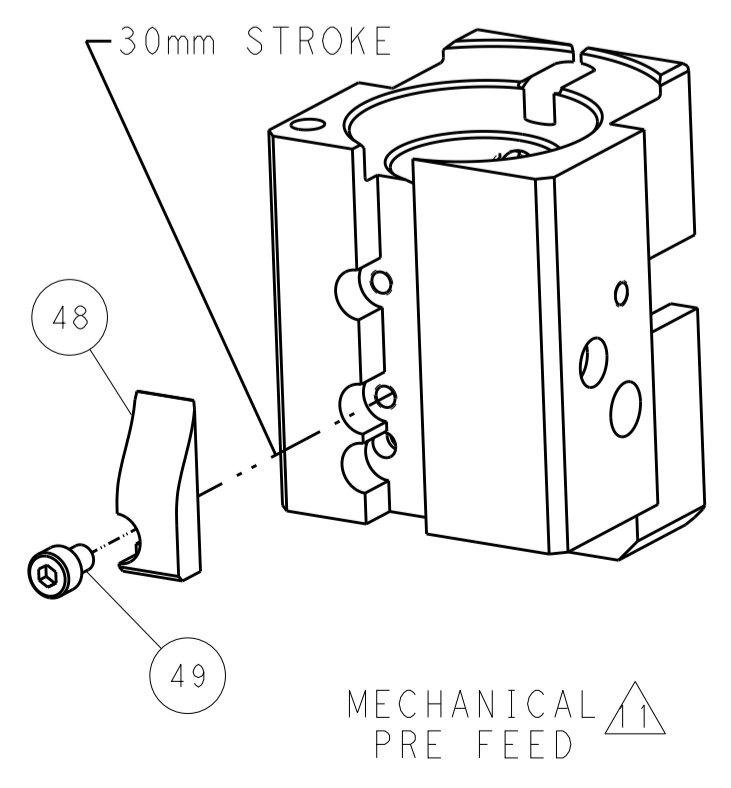
SERVO
LATCH PLATE



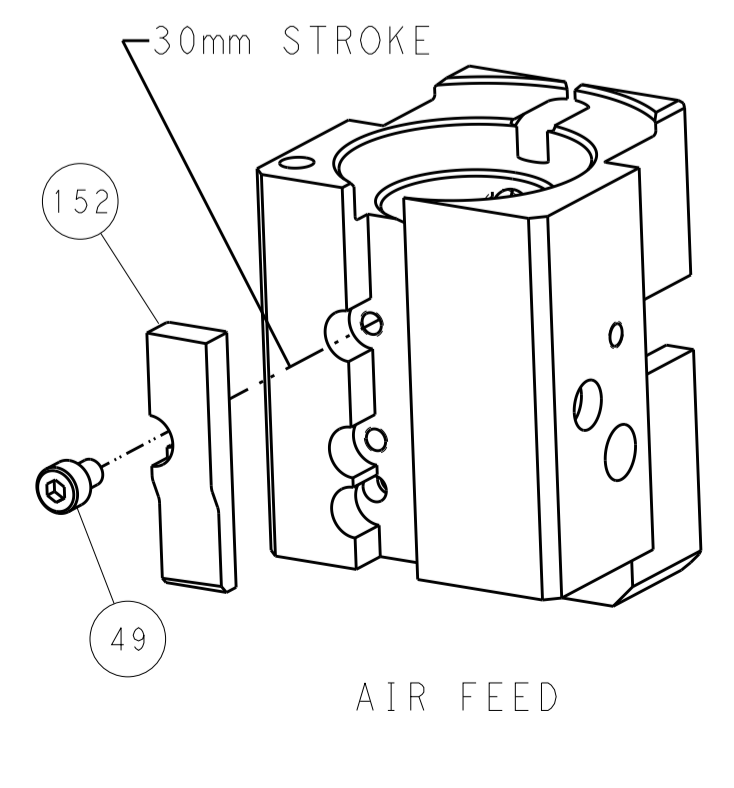
CAM POSITIONS



MECHANICAL POST FEED



MECHANICAL PRE FEED



AIR FEED

PACIFIC VERSION
 Shown on sheets 3 of 4 & 4 of 4
 (Atlantic version shown on sheets 1 of 4 & 2 of 4)

DIMENSIONS:		TOLERANCES UNLESS OTHERWISE SPECIFIED:		DWN L.C. CHEN 09JAN2012		STE TE Connectivity Harrisburg, PA 17105-3608	
mm	0 PLC	±		CHK S.XI 09JAN2012	NAME Ocean End Feed Applier		
	1 PLC	±		APVD J. CRUZ 09JAN2012	SIZE CAGE CODE DRAWING NO. RESTRICTED TO		
	2 PLC	±		PRODUCT SPEC	A1 00779 C=2150034		
	3 PLC	±		APPLICATION SPEC	SCALE 1:1 SHEET 4 OF 4 REV C1		
	4 PLC	±		WEIGHT	Customer Accessible Production Drawing		
	ANGLES	±					
MATERIAL	FINISH						