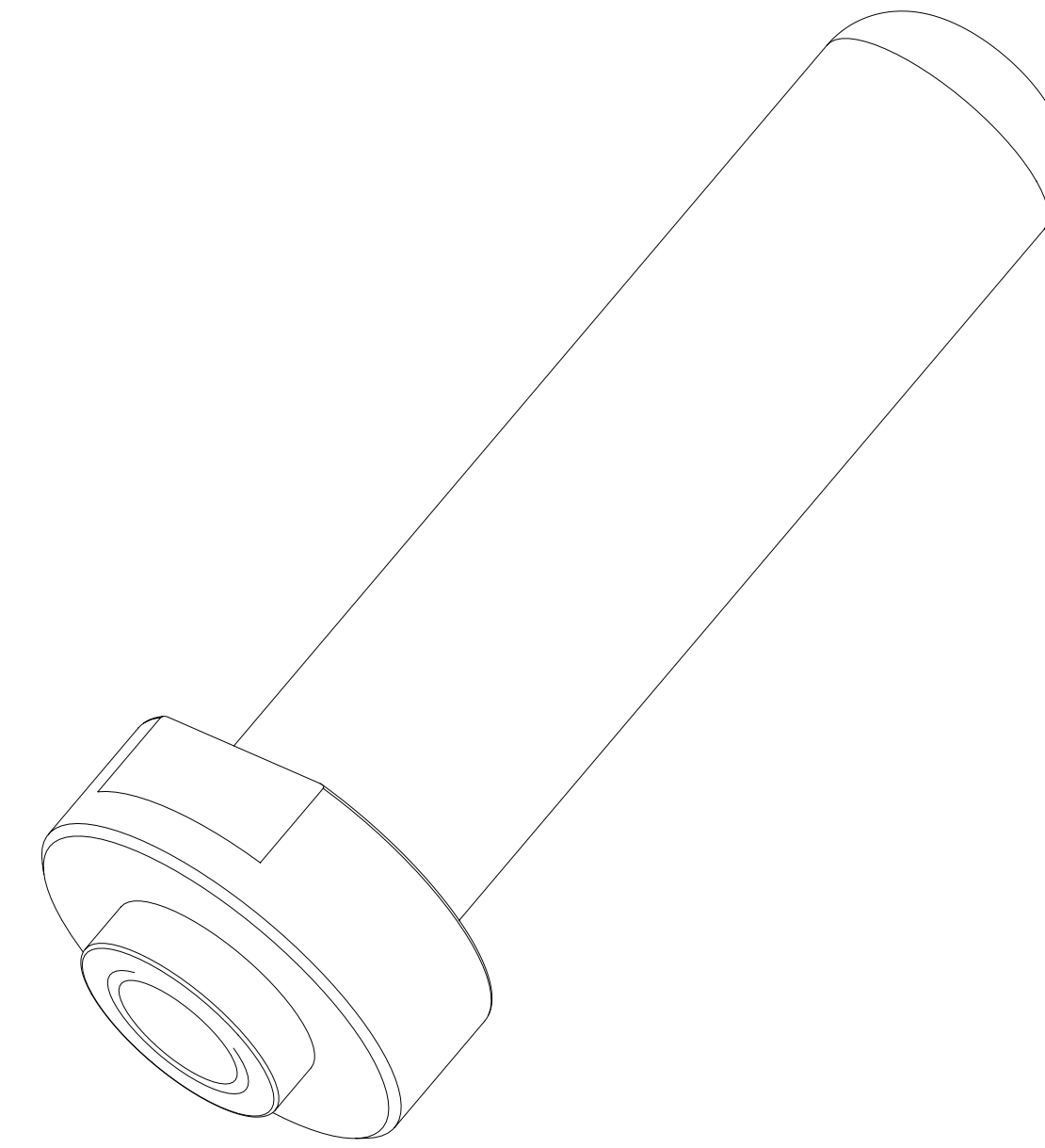
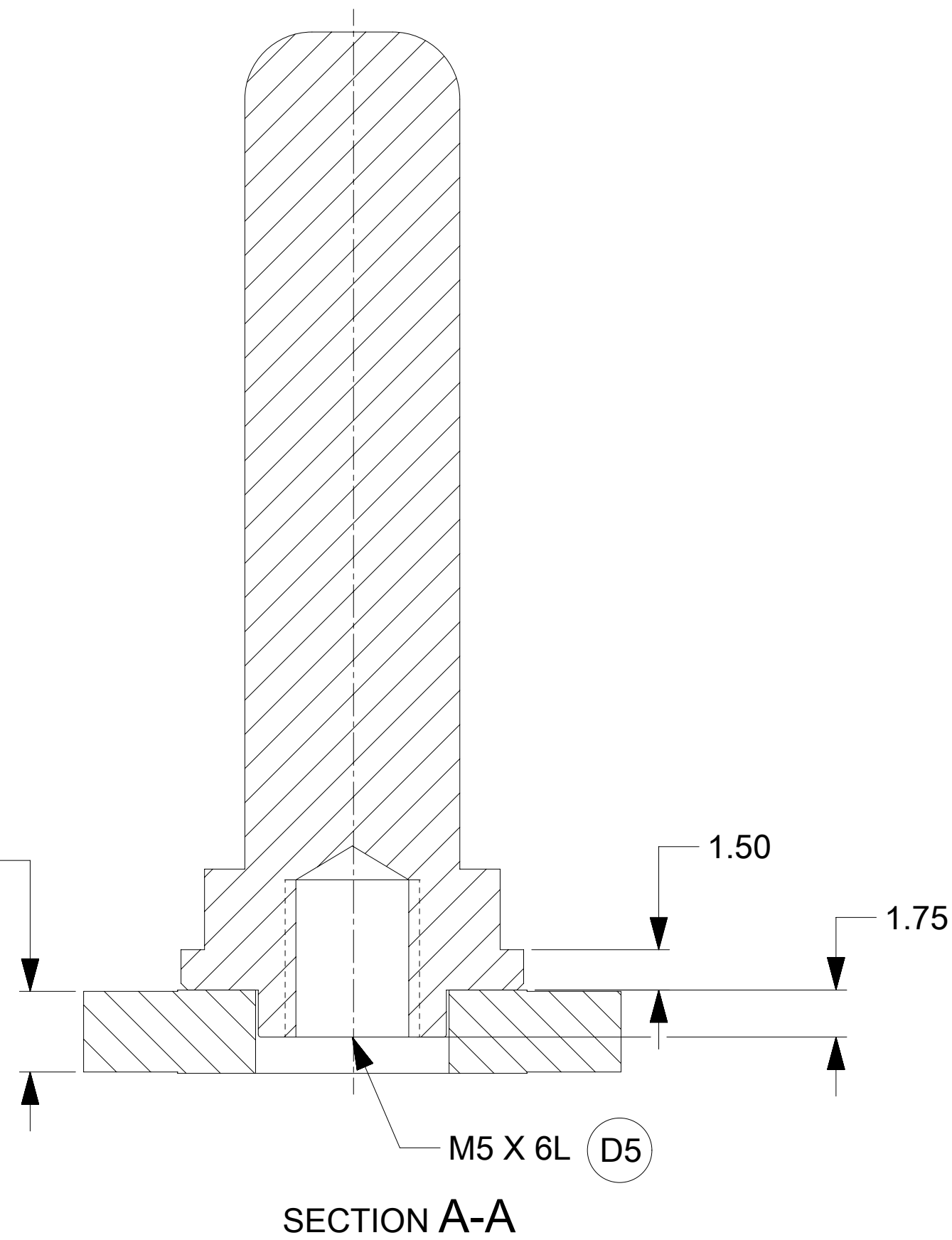
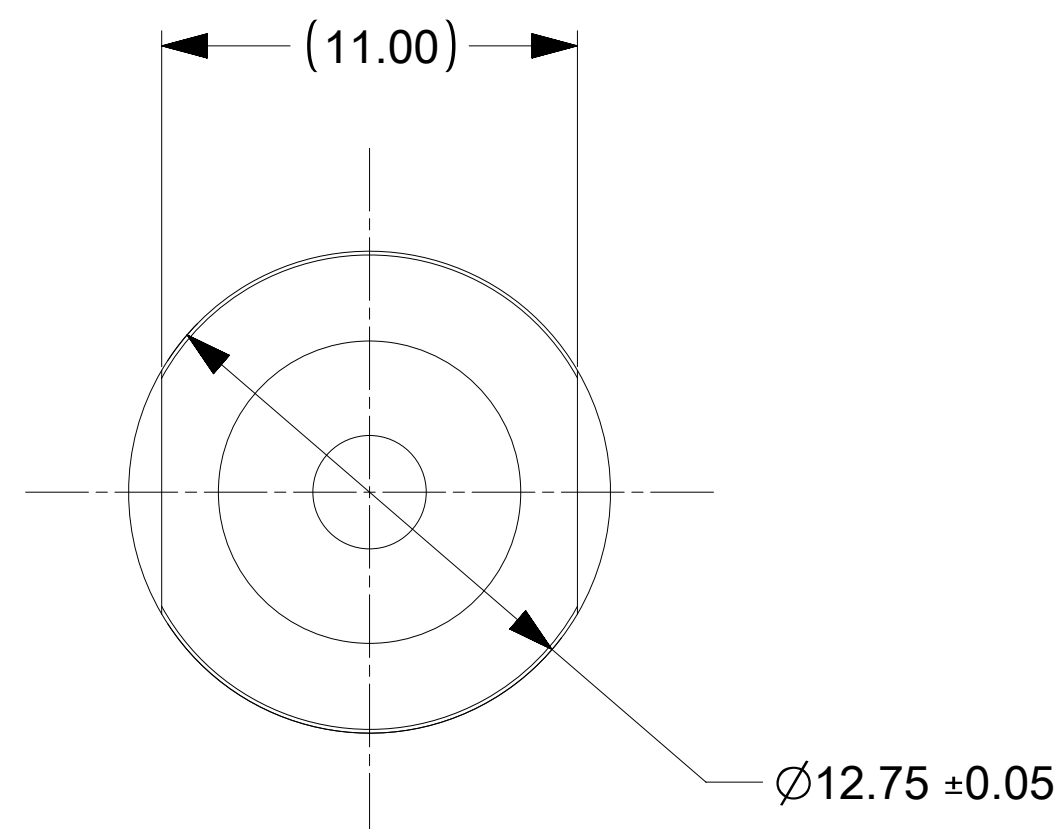
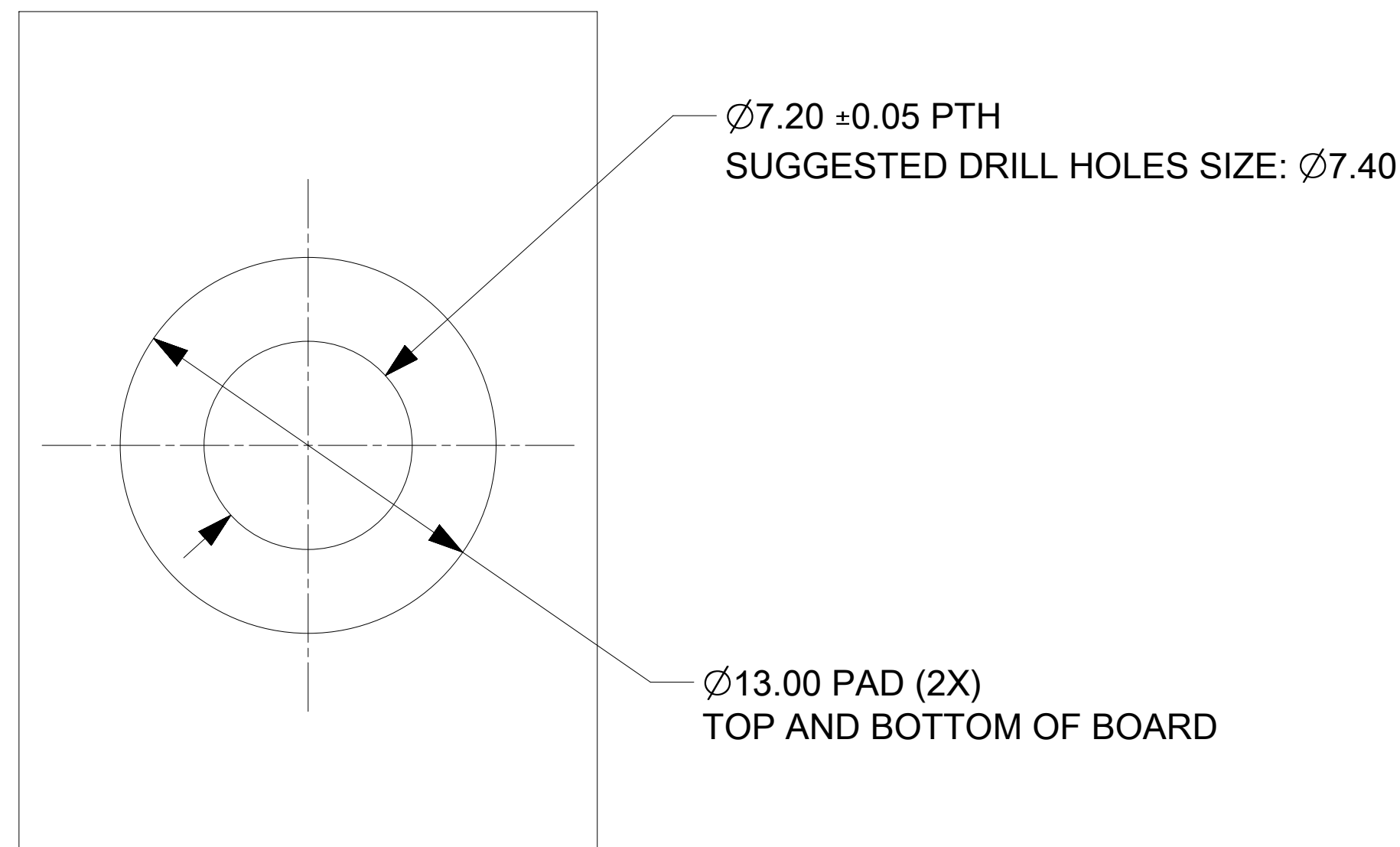


MINIMUM PCB/BUSBAR THICKNESS IS 2.00MM



PART NUMBER	DIMENSION "L"
2032634085	45.65
2032634185	35.65
2032634285	20.65
2032634385	30.65
2032634485	29.15
2032634585	25.50
2032634685	43.65
2032634785	40.35
2032634885	16.65
2032634985	66.50
2032637085	85.65
2032637185	55.00
2032637285	15.00
2032637385	13.75
2032637485	65.80
2032637585	16.00
2032637685	20.00
2032637785	26.00
2032637885	36.00
2032637985	48.00



NOTES :

- MATERIALS:
 BASE METAL: HIGH CONDUCTIVE COPPER ALLOY
 PLATING ON BODY: 3.18 MICRON MIN SILVER OVER 1.27 MICRON MIN NICKEL
- PRODUCT SPECIFICATION: 2043130001-PS
- APPLICATION SPECIFICATION: 2043130001-AS
- PARTS TO BE PACKAGED AS PER PACKAGING SPECIFICATION: 2032630006-PK
- SILVER COMPONENTS WILL BE SUPPLIED TARNISH FREE BUT MAY TARNISH OVER TIME.
- PART TO BE MOUNTED WITH CONDUCTIVE M5 SCREW AND CONDUCTIVE BELLEVILLE WASHER FOR OPTIMAL PERFORMANCE
- SCREW LENGTH TO BE DETERMINED BY CUSTOMER, SCREWS AND WASHERS ARE NOT SUPPLIED BY MOLEX.

THIS DRAWING CONTAINS INFORMATION THAT IS PROPRIETARY TO MOLEX ELECTRONIC TECHNOLOGIES, LLC AND SHOULD NOT BE USED WITHOUT WRITTEN PERMISSION												
DIMENSION UNITS: mm		SCALE: 5:1		CURRENT REV DESC: UPDATED NOTES AND THREAD DIMENSION						molex		
GENERAL TOLERANCES (UNLESS SPECIFIED)				EC NO: 748054								
ANGULAR TOL ± 0.5°				4 PLACES ±		DRWN: ABHIRK 2023/02/07		CENTRALITY 8.00MM MALE TERMINAL SCREW MOUNT				
3 PLACES ±				CHK'D: SUVARS 2023/05/08								
2 PLACES ± 0.2				APPR: HTHYAGARAJ 2023/05/22		PRODUCT CUSTOMER DRAWING						
1 PLACE ± 0.25				INITIAL REVISION:		DRWN: JJONIAK 2018/10/10		DOCUMENT NUMBER		DOC TYPE	DOC PART	REVISION
0 PLACES ±				APPR: BPISZCZOR 2019/03/22		2019/03/22		2032634185-SD		PSD	000	D5
DRAFT WHERE APPLICABLE MUST REMAIN WITHIN DIMENSIONS				THIRD ANGLE PROJECTION		DRAWING		SERIES		MATERIAL NUMBER		SHEET NUMBER
				D5		D-SIZE 203263		SEE TABLE		GENERAL MARKET		1 OF 1

RECOMMENDED PCB OR BUSBAR LAYOUT