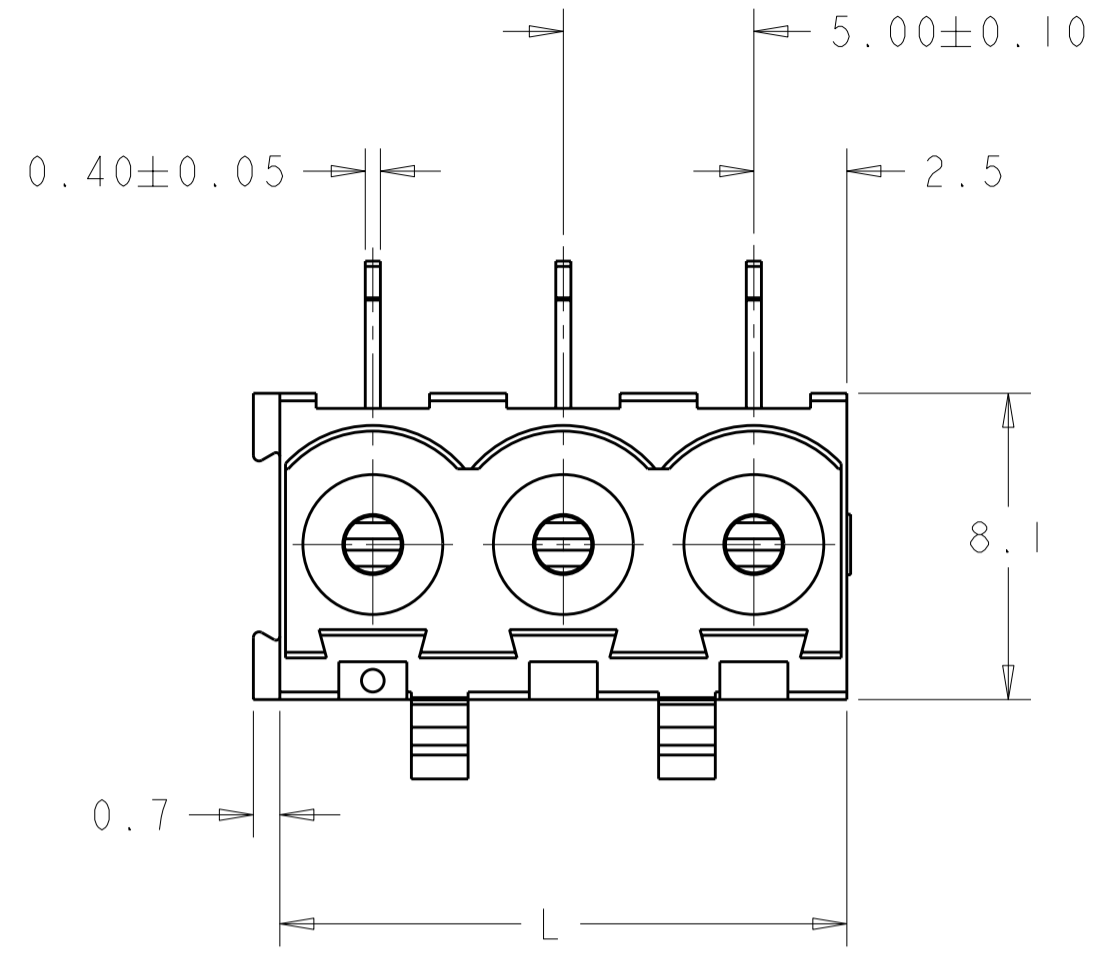
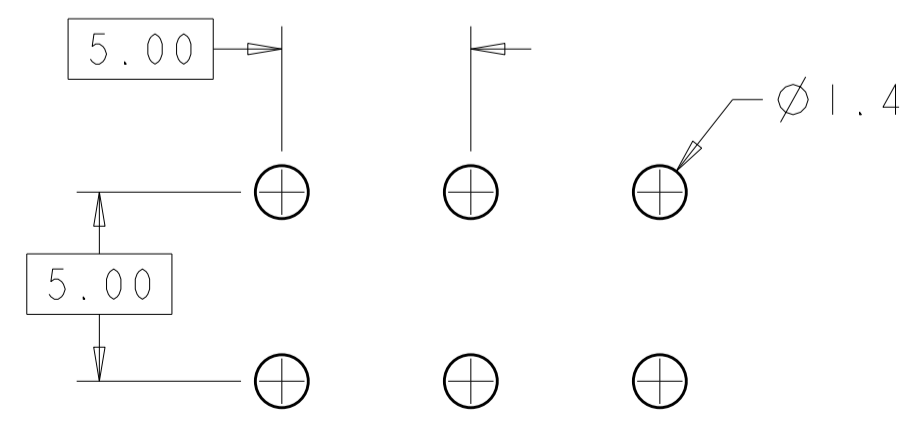
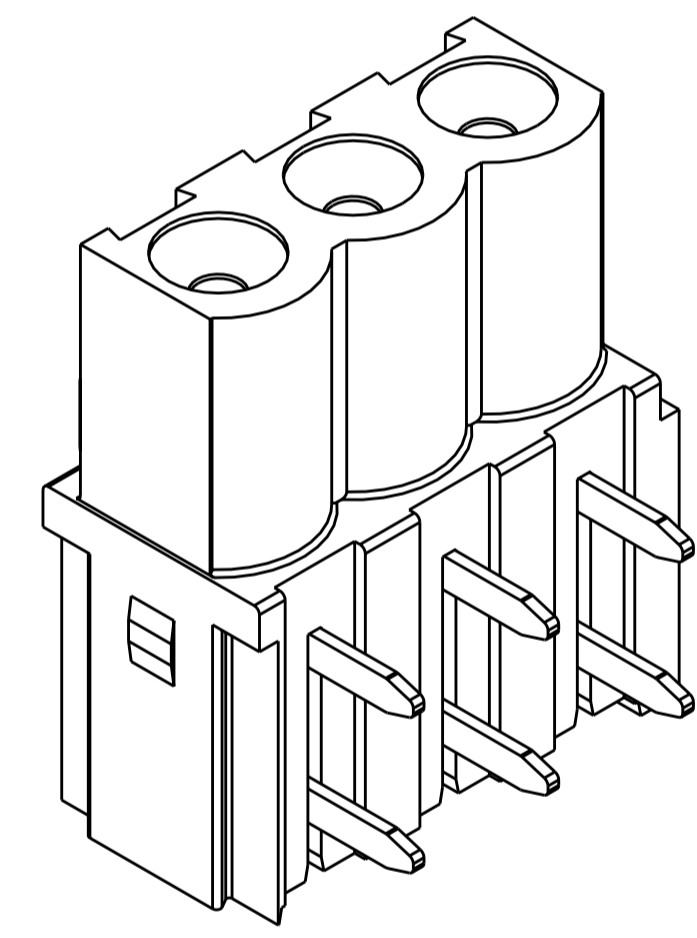
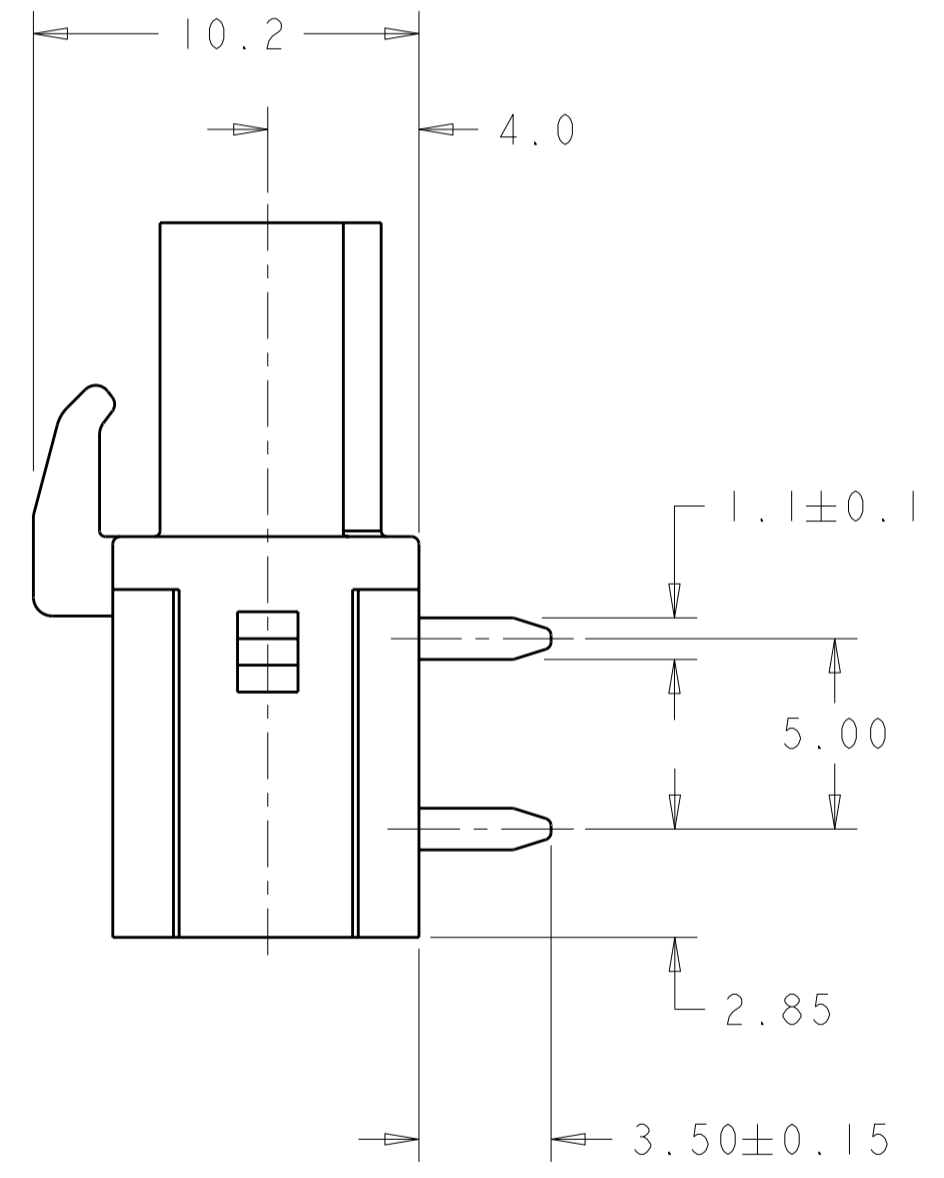
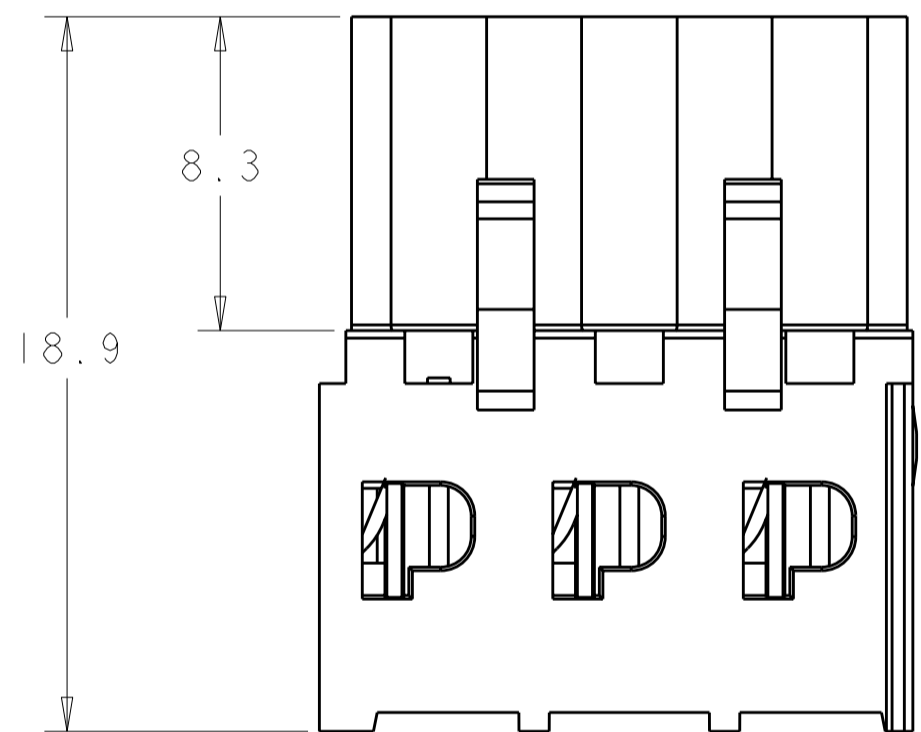


THIS DRAWING IS UNPUBLISHED. RELEASED FOR PUBLICATION 20  
 © COPYRIGHT 20 BY TYCO ELECTRONICS CORPORATION. ALL RIGHTS RESERVED.

LOC		DIST		REVISIONS			
P	LTR	DESCRIPTION	DATE	DWN	APVD		
	1	PRELIMINARY	11OCT2007	SW	CR		



1. MATERIAL AND FINISH  
 HOUSING: PA 6-6, UL 94V-0 RATED, COLOR: GREEN  
 CONTACT: COPPER ALLOY, TIN PLATED.
2. END-TO-END STACKABLE WITH INTERLOCK WITHOUT LOSS OF CENTERLINE SPACING.
3. MAXIMUM OF 12 POSITIONS ALLOWED FOR END-TO-END STACKING
4. SUITABLE FOR 1.6 - 2.4mm PC BOARD THICKNESS.
5. CURRENT RATING: 300V, 15A
6. OPERATING TEMPERATURE: -40°C TO 110°C



RECOMMENDED PC BOARD LAYOUT

15.0	3	1986278-3
10.0	2	1986278-2
L	NO OF POSN	PART NUMBER

THIS PRINT IS  
**PRELIMINARY**  
 PRIOR TO CUSTOMER ORDER  
 CONTACT PRODUCT ENGINEERING  
 BEFORE USING THIS PRINT

THIS DRAWING IS A CONTROLLED DOCUMENT FOR TYCO ELECTRONICS CORPORATION IT IS SUBJECT TO CHANGE AND THE CONTROLLING ENGINEERING ORGANIZATION SHOULD BE CONTACTED FOR THE LATEST REVISION.		DWN S. WELDON 11OCT2007	Tyco Electronics Harrisburg, PA 17105-3608	
DIMENSIONS: mm		CHK C. RICHARD 11OCT2007	NAME PLUG ASSEMBLY, TERMINAL BLOCK, RIGHT ANGLE, BOARD MOUNT, 5.00mm PITCH	
TOLERANCES UNLESS OTHERWISE SPECIFIED: 0 PLC ±- 1 PLC ±0.3 2 PLC ±0.25 3 PLC ±0.000 4 PLC ±0.0000 ANGLES ±		APVD C. RICHARD 11OCT2007	SIZE A200779	
MATERIAL		PRODUCT SPEC -	DRAWING NO C-1986278	
FINISH		APPLICATION SPEC -	RESTRICTED TO -	
-		WEIGHT -	SCALE 5:1 SHEET OF REV	
-		CUSTOMER DRAWING		